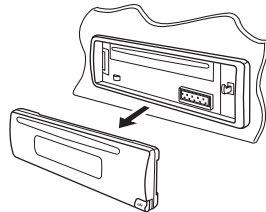


JVC

SERVICE MANUAL

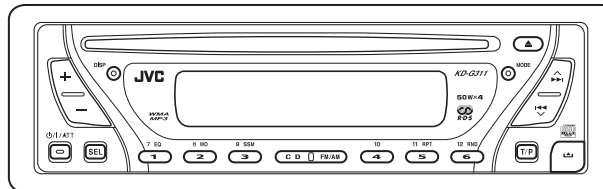
CD RECEIVER

KD-G311, KD-G312, KD-G317

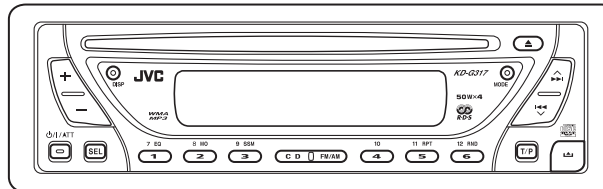


MP3 WMA

KD-G311, KD-G312



KD-G317



KD-G311, KD-G312

Area suffix

E ----- Southern Europe
 EX ----- Northern Europe
 EY ----- Eastern Europe
 EU ----- Turkey

KD-G317

Area suffix

EE ----- Russian Federation

	KD-G311	KD-G312	KD-G317
STEERING CABLE	○	○	×
CONTROL PANEL	SILVER	BLACK	BLACK

TABLE OF CONTENTS

1	PRECAUTIONS	1-3
2	SPECIFIC SERVICE INSTRUCTIONS	1-6
3	DISASSEMBLY	1-7
4	ADJUSTMENT	1-25
5	TROUBLESHOOTING	1-26

SPECIFICATION

AUDIO AMPLIFIER SECTION

Maximum Power Output	Front	50 W per channel
	Rear	50 W per channel
Continuous Power Output (RMS)	Front	19 W per channel into 4 Ω , 40 Hz to 20 000 Hz at no more than 0.8% total harmonic distortion.
	Rear	19 W per channel into 4 Ω , 40 Hz to 20 000 Hz at no more than 0.8% total harmonic distortion.
Load Impedance	4 Ω (4 Ω to 8 Ω allowance)	
Tone Control Range	Bass	± 10 dB at 100 Hz
	Treble	± 10 dB at 10 kHz
Frequency Response	40 Hz to 20 000 Hz	
Signal-to-Noise Ratio	70 dB	
Line-Out Level/Impedance	2.5 V/20 k Ω load (full scale)	
Output Impedance	1 k Ω	
Other Terminal	Steering wheel remote input (KD-G311,KD-G312)	

TUNER SECTION

Frequency Range	FM	87.5 MHz to 108.0 MHz
	FM1/FM2 (KD-G317)	87.5 MHz to 108.0 MHz
	FM3 (KD-G317)	65.00 MHz to 74.00 MHz
	AM	(MW) 522 kHz to 1 620 kHz (LW) 144 kHz to 279 kHz
FM Tuner	Usable Sensitivity	11.3 dBf (1.0 μ V/75 Ω)
	50 dB Quieting Sensitivity	16.3 dBf (1.8 μ V/75 Ω)
	Alternate Channel Selectivity (400 kHz)	65 dB
	Frequency Response	40 Hz to 15 000 Hz
	Stereo Separation	30 dB
	Capture Ratio	1.5 dB
MW Tuner	Sensitivity	20 μ V
	Selectivity	35 dB
LW Tuner	Sensitivity	50 μ V

CD PLAYER SECTION

Type	Compact disc player
Signal Detection System	Non-contact optical pickup (semiconductor laser)
Number of Channels	2 channels (stereo)
Frequency Response	5 Hz to 20 000 Hz
Dynamic Range	96 dB
Signal-to-Noise Ratio	98 dB
Wow and Flutter	Less than measurable limit
MP3 Decoding Format	MPEG1/2 Audio Layer 3 Max. Bit Rate: 320 kbps
WMA (Windows Media Audio) Decoding Format	Max. Bit Rate: 192 kbps

GENERAL

Power Requirement	Operating Voltage	DC 14.4 V (11 V to 16 V allowance)
Grounding System	Negative ground	
Allowable Operating Temperature	0°C to +40°C	
Dimensions (W \times H \times D)	Installation Size (approx.)	182 mm \times 52 mm \times 150 mm
	Panel Size (approx.)	188 mm \times 58 mm \times 11 mm
Mass (approx.)	1.3 kg (excluding accessories)	

- Design and specifications are subject to change without notice.
- Microsoft and Windows Media are either registered trademarks or trademarks of Microsoft Corporation in the United States and/or other countries.

SECTION 3 DISASSEMBLY

3.1 Main body section

3.1.1 Removing the front panel assembly (See Fig.1)

- (1) Push the detach button in the lower right part of the front panel assembly and remove the front panel assembly.

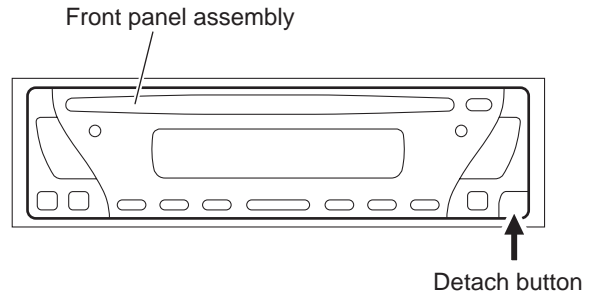


Fig.1

3.1.2 Removing the bottom cover (See Fig.2)

- (1) Turn the main body up side down.
- (2) Insert a screwdriver under the joints to release the two joints **a** on the left side, two joints **b** on the right side and joint **c** on the back side of the main body, then remove the bottom cover from the main body.

Note:

When releasing the joints using a screwdriver, do not damage the main board.

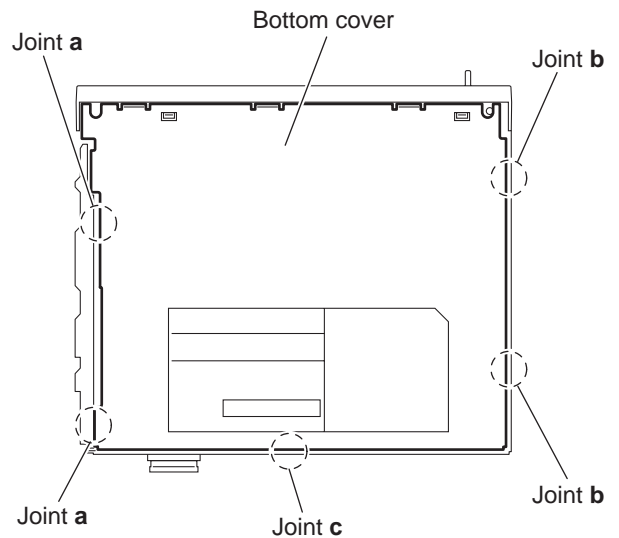


Fig.2

3.1.3 Removing the front chassis assembly (See Fig.3)

- Remove the front panel assembly and bottom cover.
- (1) Remove the two screws **A** on the both sides of the main body.
 - (2) Release the two joints **d** and two joints **e** on the both sides of the main body, then remove the front chassis assembly toward the front.

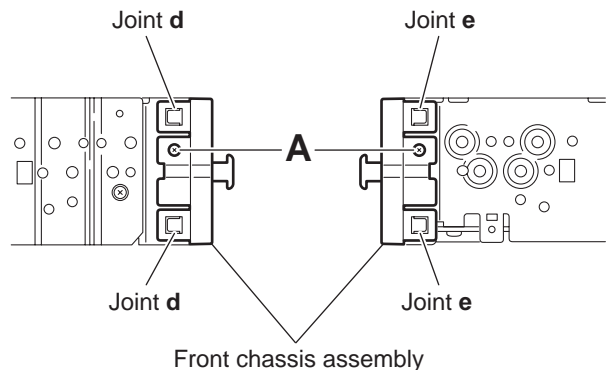


Fig.3

3.1.4 Removing the side panel (See Fig.4)

Reference:

Remove the front panel assembly as required.

- (1) Remove the screw **B** and two screws **C** attaching the side panel on the left side of the main body.
- (2) Remove the side panel from the main body.

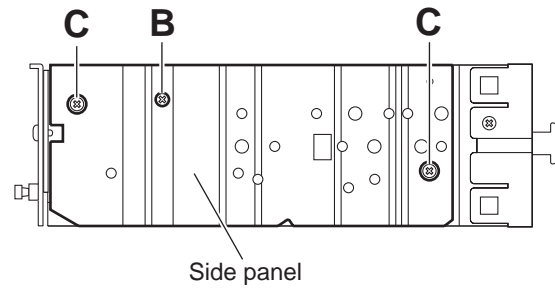
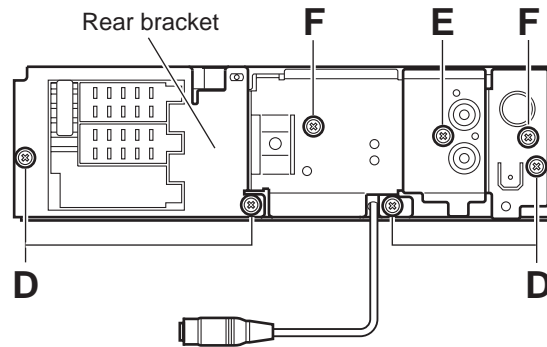


Fig.4

3.1.5 Removing the rear bracket (See Fig.5)

- Remove the bottom cover.

- (1) For KD-G311 and KD-G312, remove the four screws **D**, one screw **E** and two screws **F** attaching the rear bracket on the back side of the main body.
- (2) For KD-G317, remove the three screws **D**, one screw **E** and two screws **F** attaching the rear bracket on the back side of the main body.
- (3) Remove the rear bracket.



(KD-G311, KD-G312)

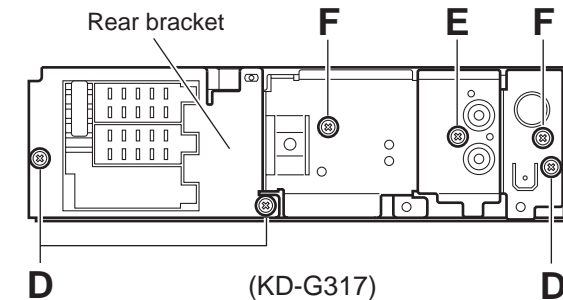
3.1.6 Removing the main board (See Figs.5 and 6)

- Remove the front panel assembly, bottom cover and side panel.

Reference:

Remove the front chassis assembly as required.

- (1) Remove the three screws **D** attaching the rear bracket on the back side of the main body. (See Fig.5.)
- (2) Remove the two screws **G** attaching the main board. (See Fig.6.)
- (3) Disconnect the connector **CN501** on the main board from the main body and take out the main board with the rear bracket. (See Fig.6.)



(KD-G317)

Fig.5

Reference:

Remove the rear bracket from the main body as required. (See "3.1.5 Removing the rear bracket".)

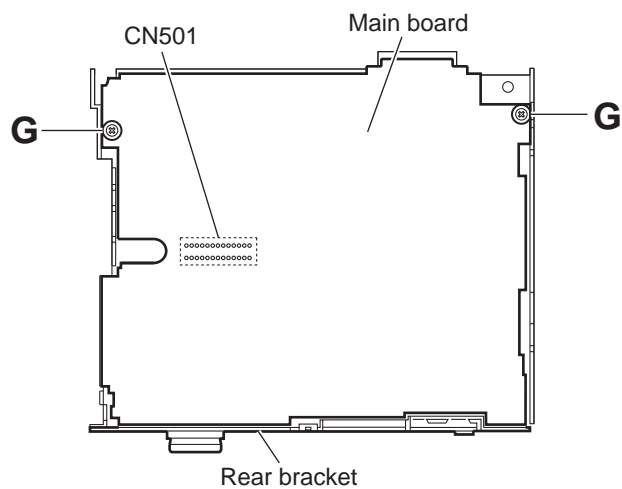


Fig.6

3.1.7 Removing the CD mechanism assembly
(See Fig. 7)

- Remove the front panel assembly, bottom cover, side panel, rear bracket and main board.

Reference:

Remove the front chassis assembly as required.

- Remove the three screws **H** attaching the CD mechanism assembly on the top chassis.
- Take out the CD mechanism assembly.

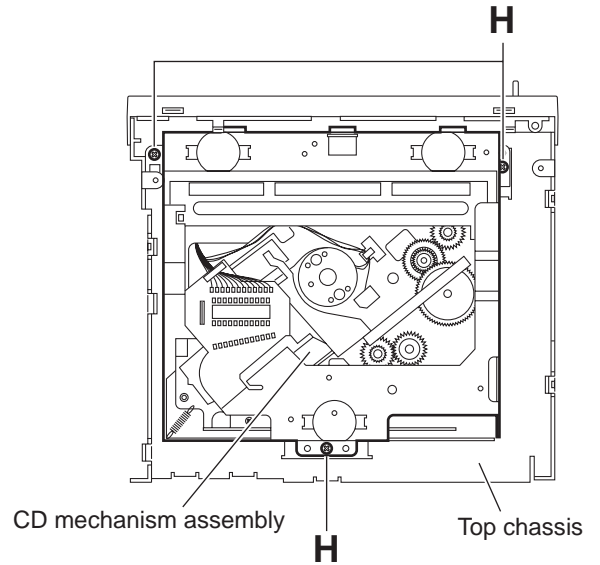


Fig.7

3.1.8 Removing the switch board
(See Figs.8 to 10)

- Remove the front panel assembly.
 - Remove the five screws **J** on the back side of the front panel assembly. (See Fig.8.)
 - Release the twelve joints **f** and remove the rear cover. (See Fig.9.)
 - Release the joint **g** and take out the switch board from the front panel assembly. (See Fig.10.)

Note:

When removing the rear cover assembly and switch board, be careful not to lose the spring.

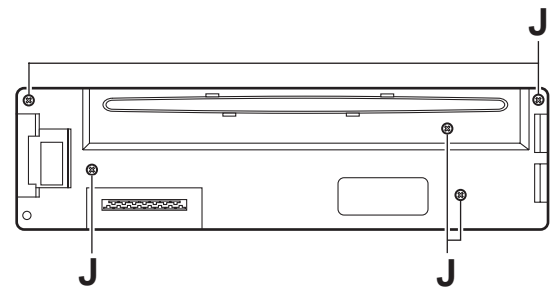


Fig.8

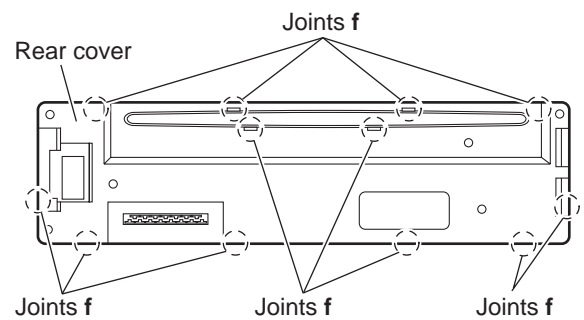


Fig.9

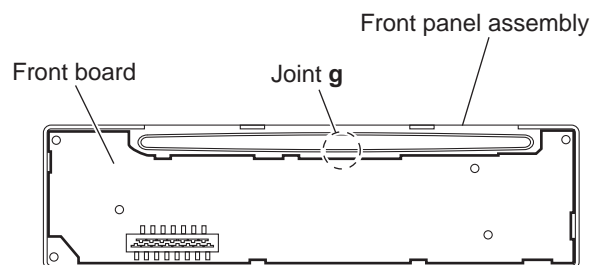


Fig.10

3.2 CD Mechanism Assembly

3.2.1 Removing the top cover (See Figs.1 and 2)

- (1) Remove the two screws **A** on the both side of the body.
- (2) Lift the front side of the top cover and move the top cover backward to release the two joints **a**.

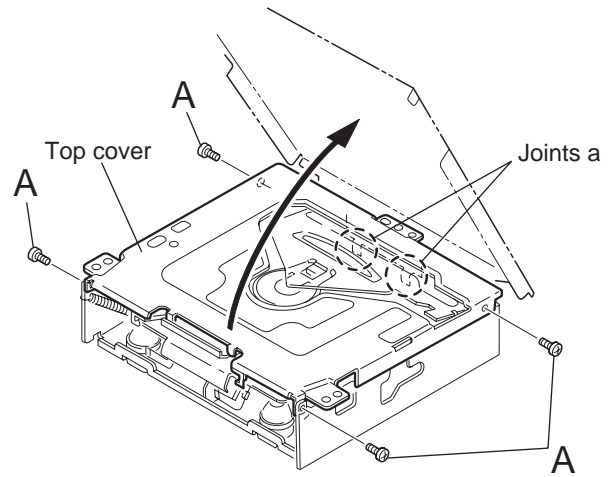


Fig.1

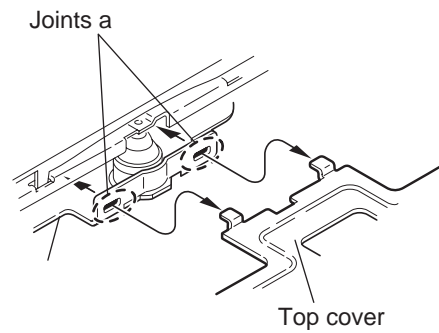


Fig.2

3.2.2 Removing the connector board (See Figs.3 to 5)

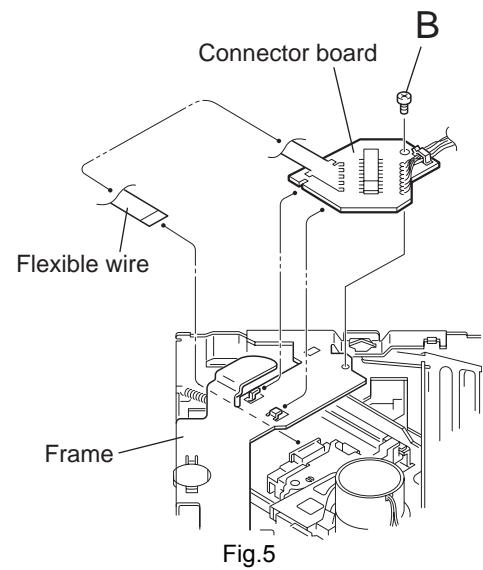
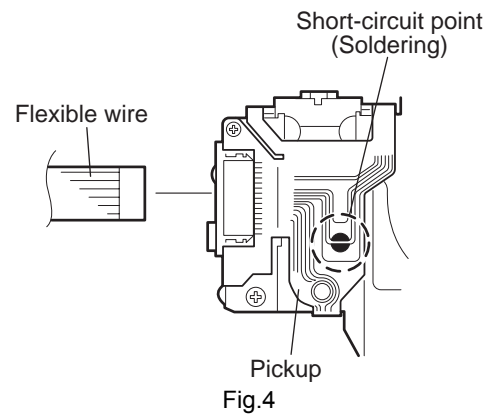
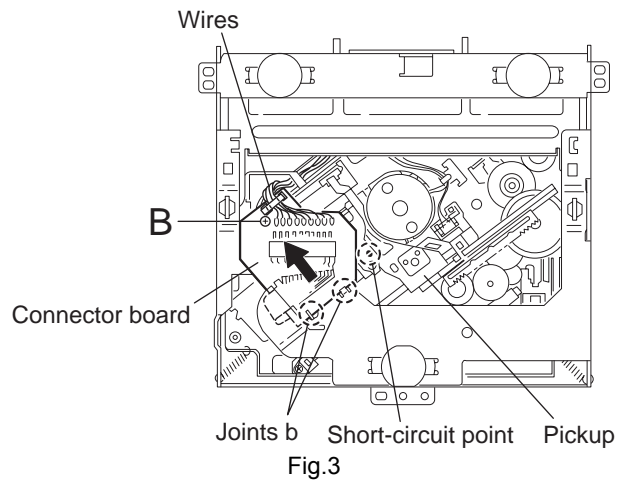
CAUTION:

Before disconnecting the flexible wire from the pickup, solder the short-circuit point on the pickup. No observance of this instruction may cause damage of the pickup.

- (1) Remove the screw **B** fixing the connector board.
- (2) Solder the short-circuit point on the connector board.
- (3) Disconnect the flexible wire from the pickup.
- (4) Move the connector board in the direction of the arrow to release the two joints **b**.
- (5) Unsolder the wire on the connector board if necessary.

CAUTION:

Unsolder the short-circuit point after reassembling.



3.2.3 Removing the DET switch (See Figs.6 and 7)

- (1) Extend the two tabs c of the feed sw. holder and pull out the switch.
- (2) Unsolder the DET switch wire if necessary.

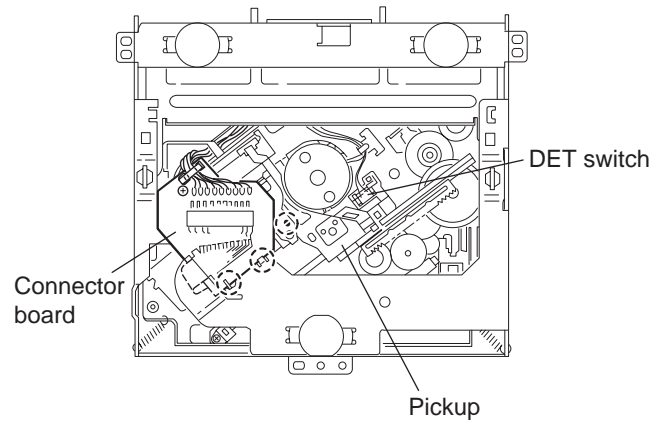


Fig.6

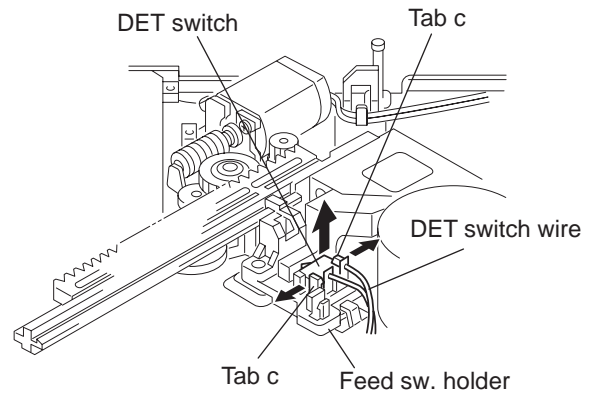


Fig.7

3.2.4 Removing the chassis unit (See Figs.8 and 9)

- Prior to performing the following procedure, remove the top cover and connector board.
(1) Remove the two suspension springs (L) and (R) attaching the chassis unit to the frame.

CAUTION:

- The shape of the suspension spring (L) and (R) are different. Handle them with care.
- When reassembling, make sure that the three shafts on the underside of the chassis unit are inserted to the dampers certainly.

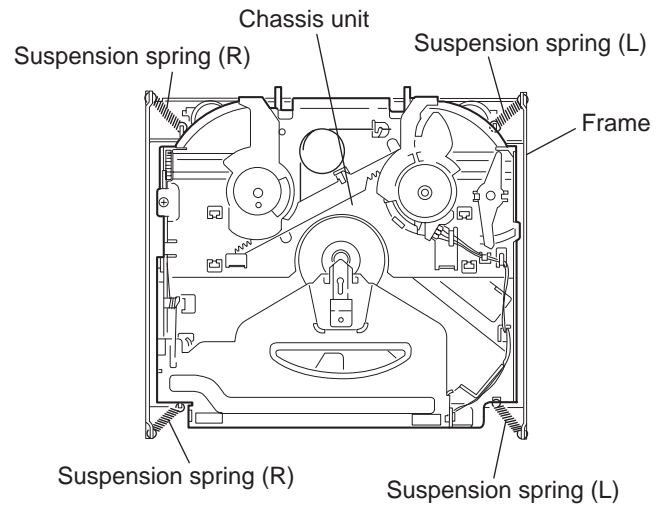


Fig.8

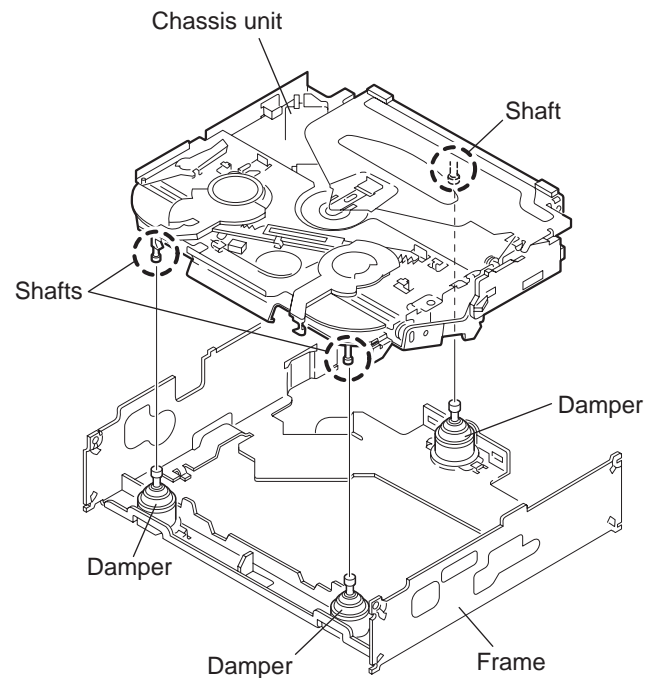
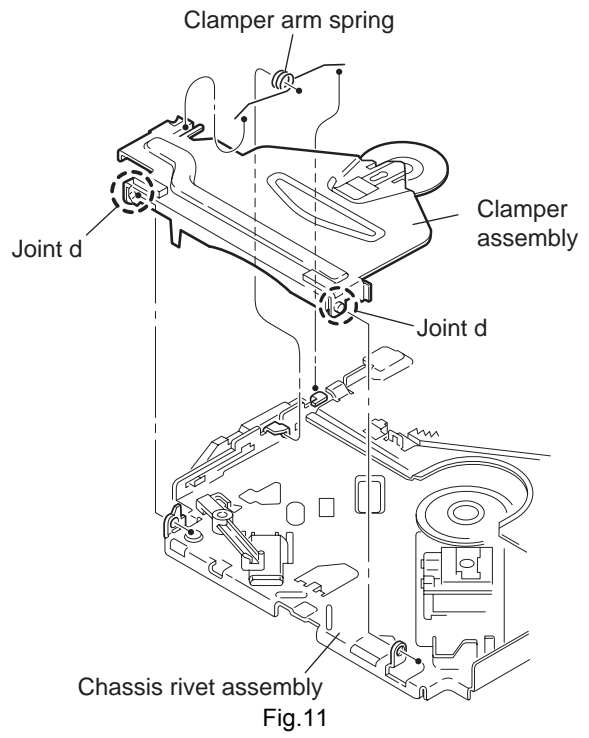
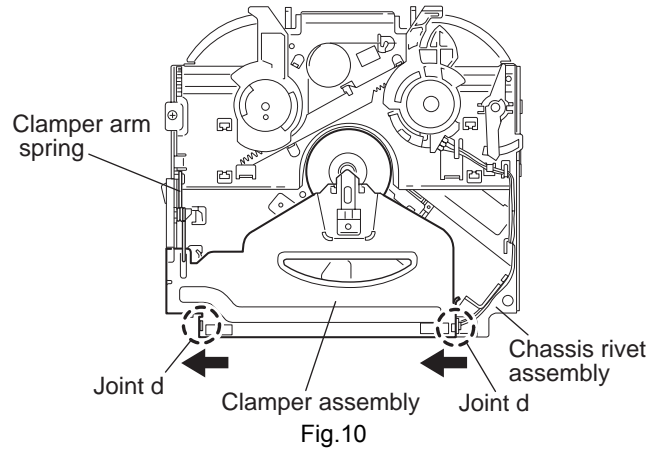


Fig.9

3.2.5 Removing the clamper assembly (See Figs.10 and 11)

- Prior to performing the following procedure, remove the top cover.
 - (1) Remove the clamper arm spring.
 - (2) Move the clamper assembly in the direction of the arrow to release the two joints d.

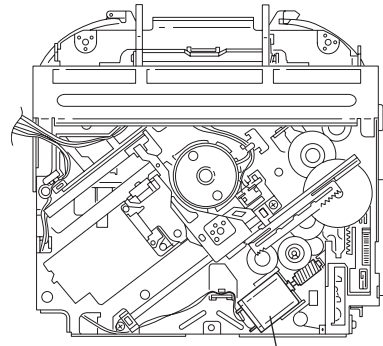


3.2.6 Removing the loading / feed motor assembly (See Figs.12 and 13)

- Prior to performing the following procedure, remove the top cover, connector board and chassis unit.
 - (1) Remove the screw **C** and move the loading / feed motor assembly in the direction of the arrow to remove it from the chassis rivet assembly.
 - (2) Disconnect the wire from the loading / feed motor assembly if necessary.

CAUTION:

When reassembling, connect the wire from the loading / feed motor assembly to the flame as shown in Fig.12.



Loading / feed motor assembly
Fig.12

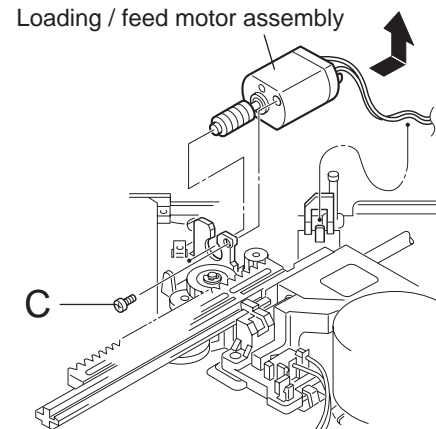


Fig.13

3.2.7 Removing the pickup unit (See Figs.14 to 18)

- Prior to performing the following procedure, remove the top cover, connector board and chassis unit.
 - (1) Remove the screw **D** and pull out the pu. shaft holder from the pu. shaft.
 - (2) Remove the screw **E** attaching the feed sw. holder.
 - (3) Move the part **e** of the pickup unit upward with the pu. shaft and the feed sw. holder, then release the joint **f** of the feed sw. holder in the direction of the arrow. The joint **g** of the pickup unit and the feed rack is released, and the feed sw. holder comes off.
 - (4) Remove the pu. shaft from the pickup unit.
 - (5) Remove the screw **F** attaching the feed rack to the pickup unit.

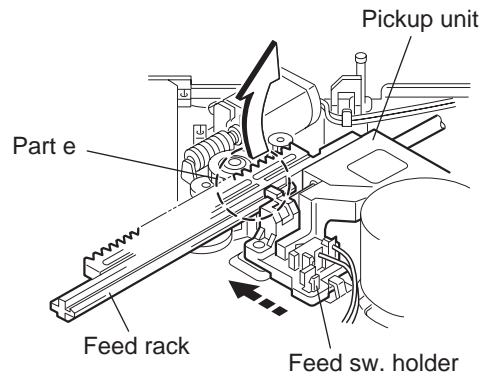


Fig. 15

3.2.8 Reattaching the pickup unit (See Figs.14 to 17)

- (1) Reattach the feed rack to the pickup unit using the screw **F**.
- (2) Reattach the feed sw. holder to the feed rack while setting the joint **g** to the slot of the feed rack and setting the part **f** of the feed rack to the switch of the feed sw. holder correctly.
- (3) As the feed sw. holder is temporarily attached to the pickup unit, set to the gear of the joint **g** and to the bending part of the chassis (joint **h**) at a time.

CAUTION:

Make sure that the part **i** on the underside of the feed rack is certainly inserted to the slot **j** of the change lock lever.

- (4) Reattach the feed sw. holder using the screw **E**.
- (5) Reattach the pu. shaft to the pickup unit. Reattach the pu. shaft holder to the pu. shaft using the screw **D**.

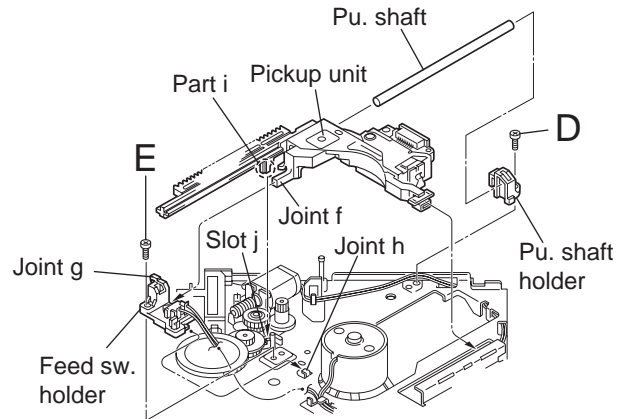


Fig. 16

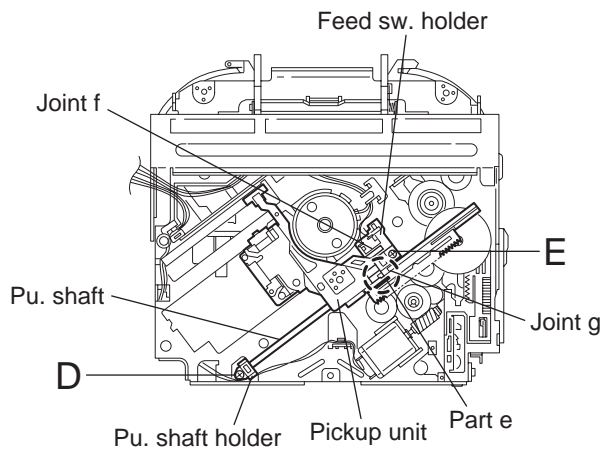


Fig. 14

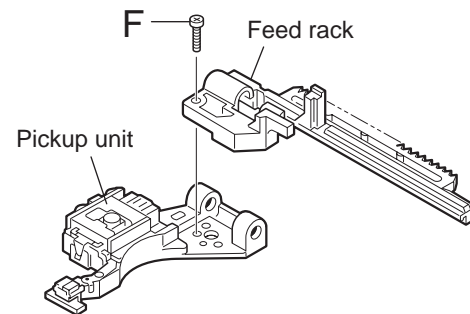


Fig. 17

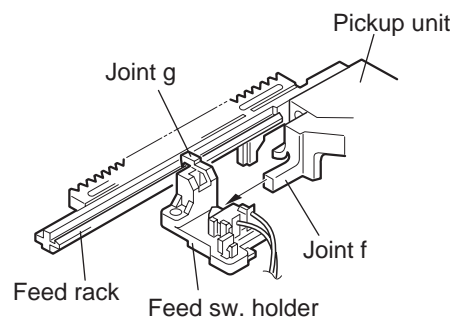


Fig. 18

3.2.9 Removing the trigger arm (See Figs.19 and 20)

- Prior to performing the following procedure, remove the top cover, connector board and clamper unit.
 - (1) Turn the trigger arm in the direction of the arrow to release the joint **k** and pull out upward.

CAUTION:

When reassembling, insert the part **m** and **n** of the trigger arm into the part **p** and **q** at the slot of the chassis rivet assembly respectively and join the joint **k** at a time.

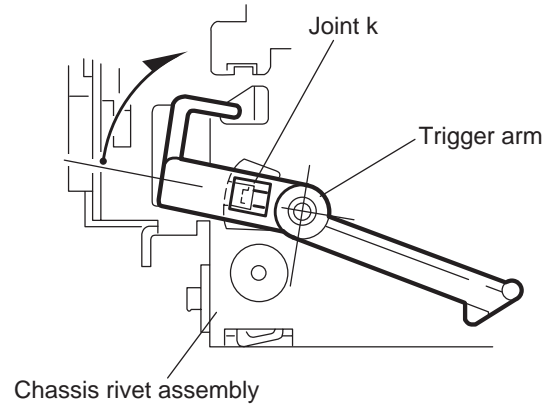


Fig.19

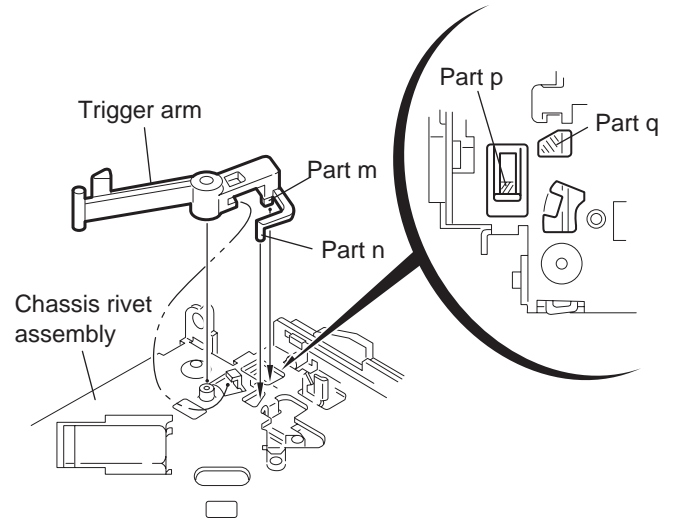


Fig.20

3.2.10 Removing the top plate assembly (See Fig.21)

- Prior to performing the following procedure, remove the top cover, connector board, chassis unit, and clamper assembly.
 - (1) Remove the screw **H**.
 - (2) Move the top plate assembly in the direction of the arrow to release the two joints **r**.
 - (3) Unsolder the wire marked **s** if necessary.

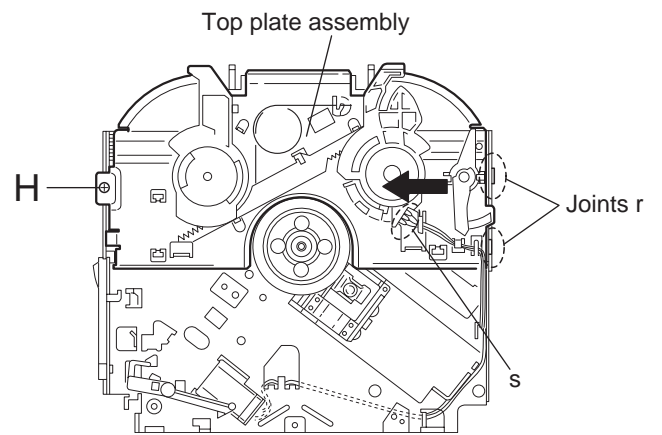


Fig.21

3.2.11 Removing the mode sw. / select lock arm (See Figs.22 and 23)

- Prior to performing the following procedure, remove the top plate assembly.
 - (1) Bring up the mode sw. to release from the link plate (joint **t**) and turn in the direction of the arrow to release the joint **u**.
 - (2) Unsolder the wire of the mode sw. marked **s** if necessary.
 - (3) Turn the select lock arm in the direction of the arrow to release the two joints **v**.
 - (4) The select lock arm spring comes off the select lock arm at the same time.

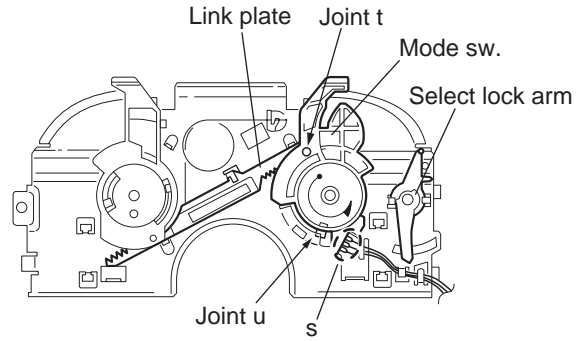


Fig.22

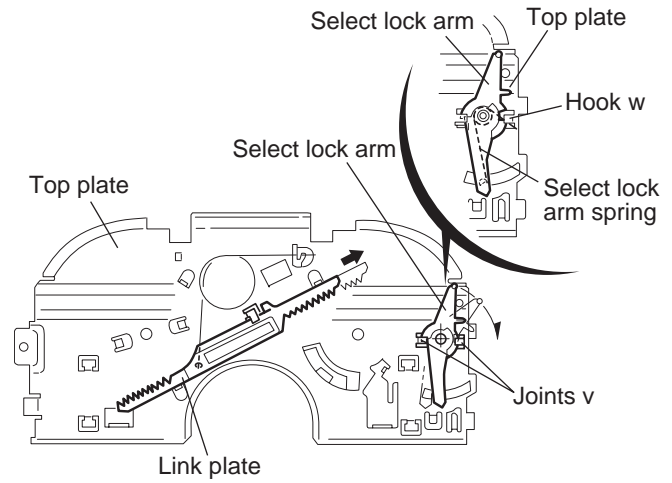


Fig.23

3.2.12 Reassembling the mode sw. / select lock arm (See Figs.24 to 26)

REFERENCE:

Reverse the above removing procedure.

- (1) Reattach the select lock arm spring to the top plate and set the shorter end of the select lock arm spring to the hook w on the top plate.
- (2) Set the other longer end of the select lock arm spring to the boss x on the underside of the select lock arm, and join the select lock arm to the slots (joint v). Turn the select lock arm as shown in the figure.
- (3) Reattach the mode sw. while setting the part t to the first peak of the link plate gear, and join the joint u.

CAUTION:

When reattaching the mode sw., check if the points y and z are correctly fitted and if each part operates properly.

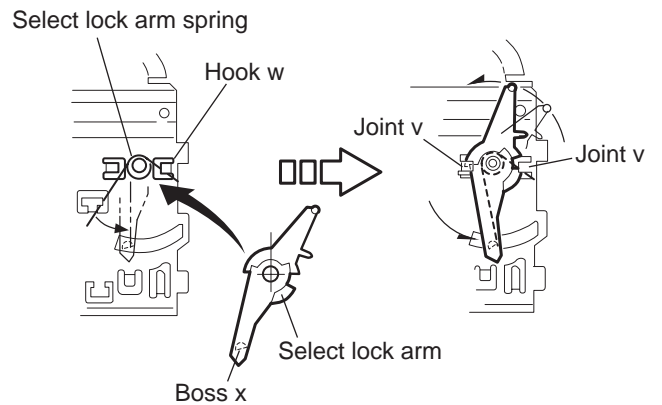


Fig.24

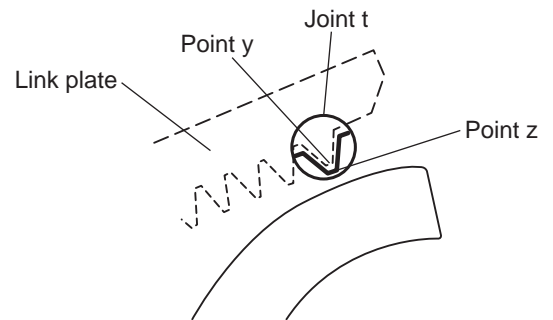


Fig.25

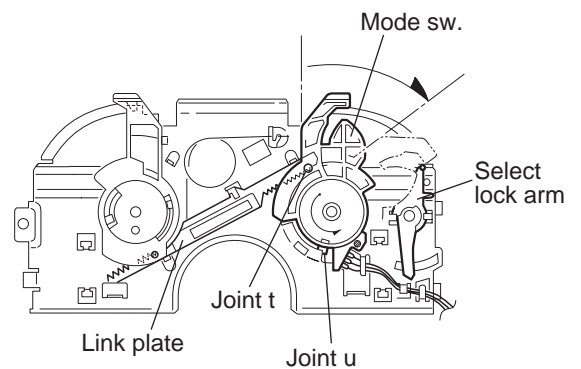


Fig.26

3.2.13 Removing the select arm R / link plate
(See Figs.27 and 28)

• Prior to performing the following procedure, remove the top plate assembly.

- (1) Bring up the select arm R to release from the link plate (joint a') and turn as shown in the figure to release the two joints b' and joint c'.
- (2) Move the link plate in the direction of the arrow to release the joint d'. Remove the link plate spring at the same time.

REFERENCE:

Before removing the link plate, remove the mode sw..

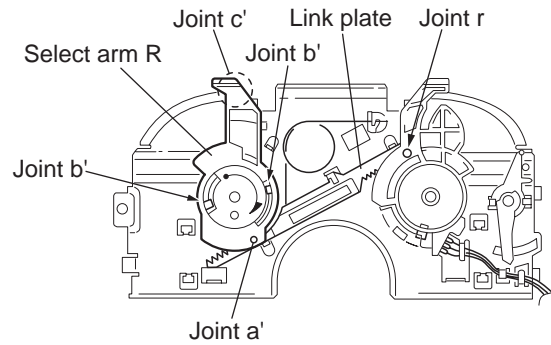


Fig.27

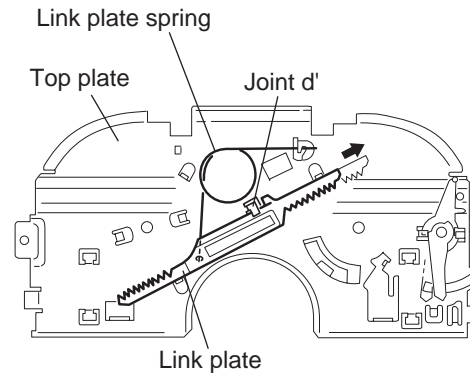


Fig.28

3.2.14 Reattaching the Select arm R / link plate
(See Figs.29 and 30)

REFERENCE:

Reverse the above removing procedure.

- (1) Reattach the link plate spring.
- (2) Reattach the link plate to the link plate spring while joining them at joint d'.
- (3) Reattach the joint a' of the select arm R to the first peak of the link plate while joining the two joints b' with the slots. Then turn the select arm R as shown in the figure. The top plate is joined to the joint c'.

CAUTION:

When reattaching the select arm R, check if the points e' and f' are correctly fitted and if each part operates properly.

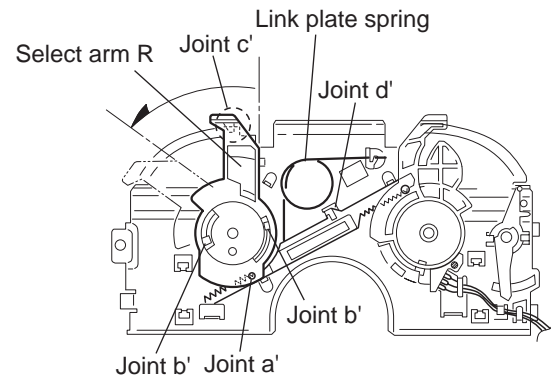


Fig.29

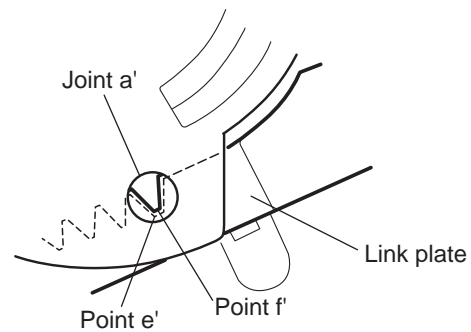


Fig.30

3.2.15 Removing the loading roller assembly
(See Figs.31 to 33)

- Prior to performing the following procedure, remove the clamper assembly and top plate assembly.
- (1) Push inward the loading roller assembly on the gear side and detach it upward from the slot of the joint **g'** of the lock arm rivet assembly.
- (2) Detach the loading roller assembly from the slot of the joint **h'** of the lock arm rivet assembly.

The roller guide comes off the gear section of the loading roller assembly.

Remove the roller guide and the HL washer from the shaft of the loading roller assembly.

- (3) Remove the screw **J** attaching the lock arm rivet assembly.
- (4) Push the shaft at the joint **i'** of the lock arm rivet assembly inward to release the lock arm rivet assembly from the slot of the **L** side plate.
- (5) Extend the lock arm rivet assembly outward and release the joint **j'** from the boss of the chassis rivet assembly. The roller guide springs on both sides come off at the same time.

CAUTION:

When reassembling, reattach the left and right roller guide springs to the lock arm rivet assembly before reattaching the lock arm rivet assembly to the chassis rivet assembly. Make sure to fit the part **k'** of the roller guide spring inside of the roller guide. (Refer to Fig.34.)

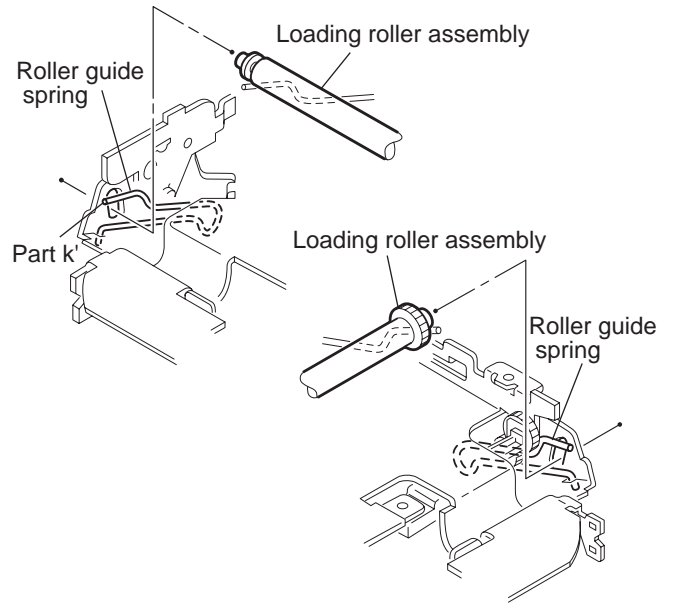


Fig.32

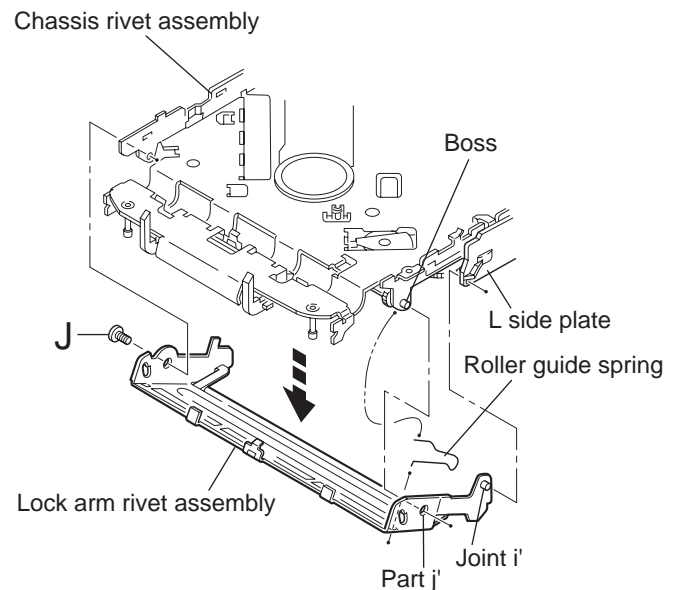


Fig.33

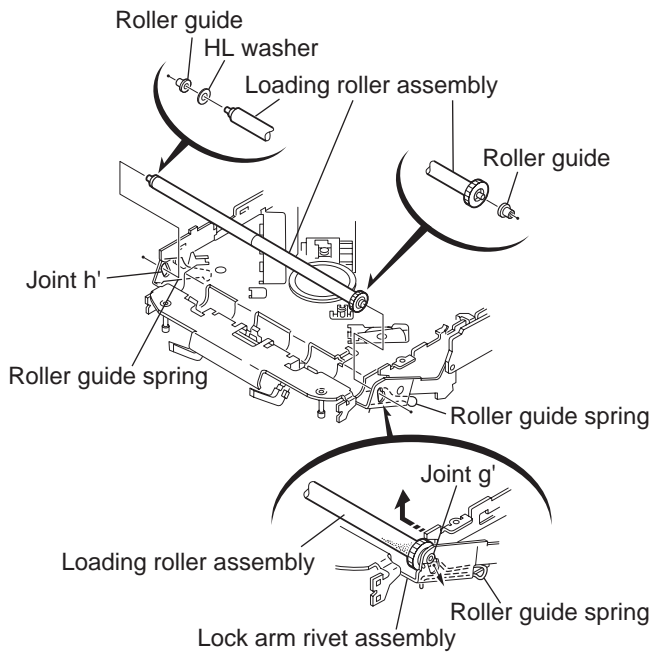


Fig.31

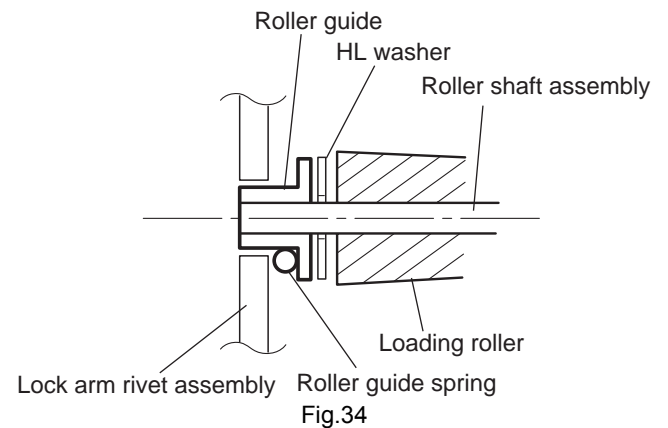


Fig.34

3.2.16 Removing the loading gear 5, 6 and 7
(See Figs.35 and 36)

- Prior to performing the following procedure, remove the top cover, chassis unit, pickup unit and top plate assembly.

(1) Remove the screw **K** attaching the loading gear bracket.
The loading gear 6 and 7 come off the loading gear bracket.

(2) Pull out the loading gear 5.

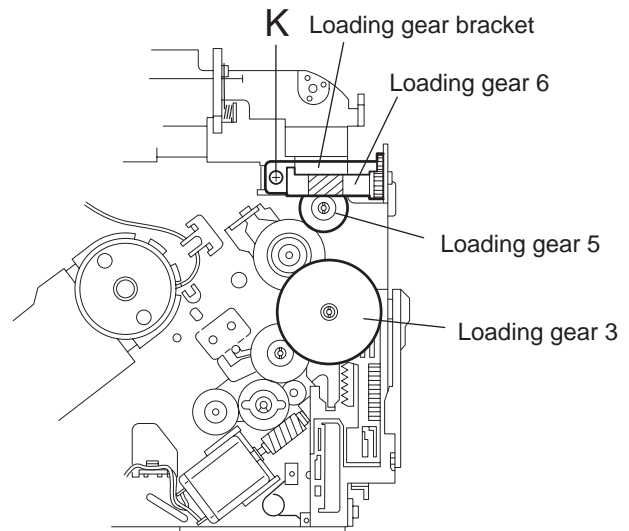


Fig.35

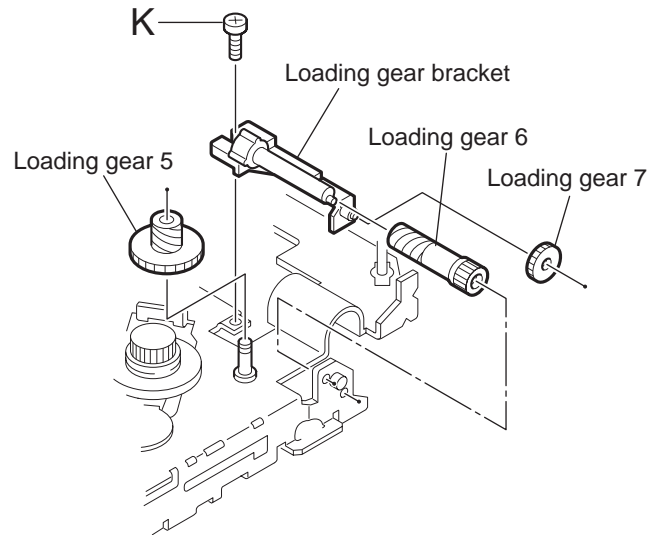
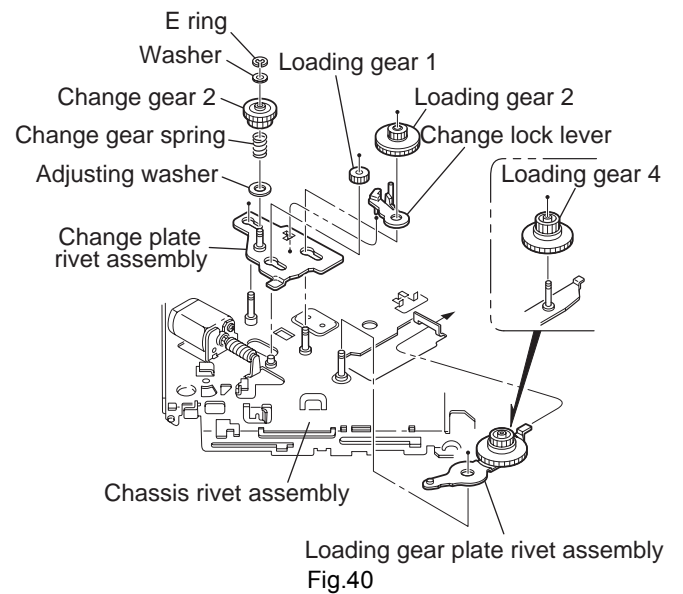
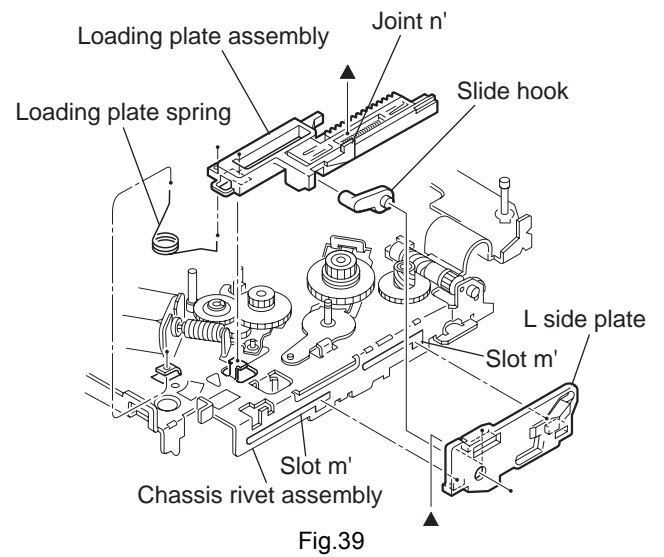
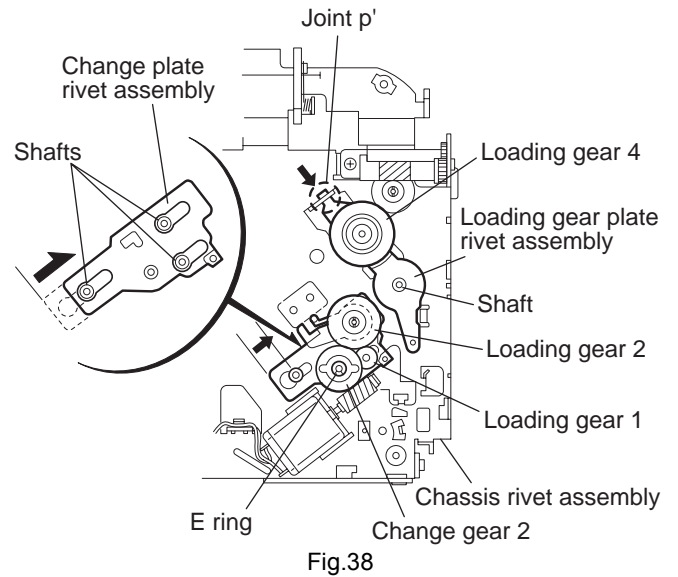
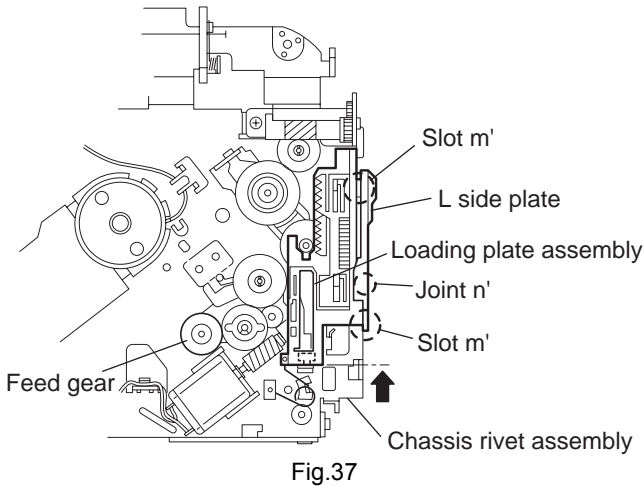


Fig.36

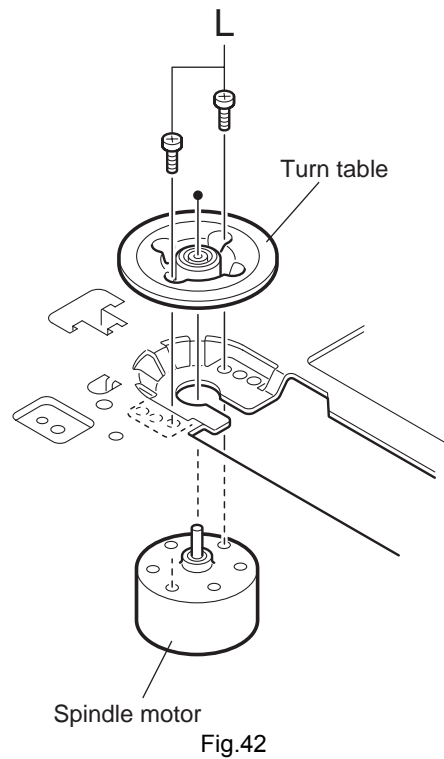
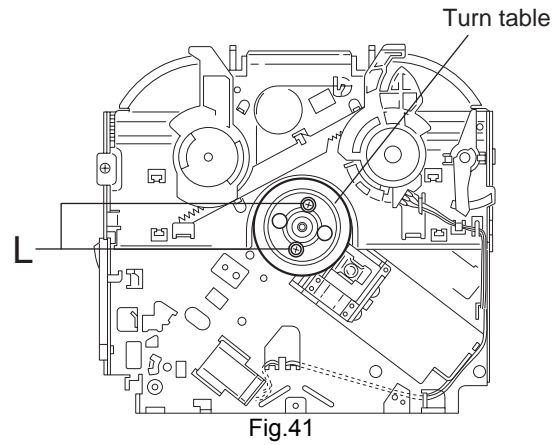
3.2.17 Removing the gears (See Figs.37 to 40)

- Prior to performing the following procedure, remove the top cover, chassis unit, top plate assembly and pickup unit.
- Pull out the loading gear 3. (See Fig.35.)
 - (1) Pull out the feed gear.
 - (2) Move the loading plate assembly in the direction of the arrow to release the L side plate from the two slots m' of the chassis rivet assembly. (See Fig.37.)
 - (3) Detach the loading plate assembly upward from the chassis rivet assembly while releasing the joint n'. Remove the slide hook and loading plate spring from the loading plate assembly.
 - (4) Pull out the loading gear 2 and remove the change lock lever.
 - (5) Remove the E ring and washer attaching the changer gear 2.
 - (6) The changer gear 2, change gear spring and adjusting washer come off.
 - (7) Remove the loading gear 1.
 - (8) Move the change plate rivet assembly in the direction of the arrow to release from the three shafts of the chassis rivet assembly upward. (See Fig.38.)
 - (9) Detach the loading gear plate rivet assembly from the shaft of the chassis rivet assembly upward while releasing the joint p'. (See Figs.38 and 40.)
 - (10) Pull out the loading gear 4.



3.2.18 Removing the turn table / spindle motor (See Figs.41 and 42)

- Prior to performing the following procedure, remove the top cover, connector board, chassis unit and clamper assembly.
 - (1) Remove the two screws **L** attaching the spindle motor assembly through the slot of the turn table on top of the body.
 - (2) Unsolder the wire on the connector board if necessary.



SECTION 4 ADJUSTMENT

4.1 Adjustment method

■ Test instruments required for adjustment

- (1) Digital oscilloscope (100MHz)
- (2) Electric voltmeter
- (3) Digital tester
- (4) Tracking offset meter
- (5) Test Disc JVC :CTS-1000
- (6) Extension cable for check
EXTSH002-22P × 1

■ Standard volume position

Balance and Bass & Treble volume : Indication "0"
Loudness : OFF

■ How to connect the extension cable for adjusting

Caution:

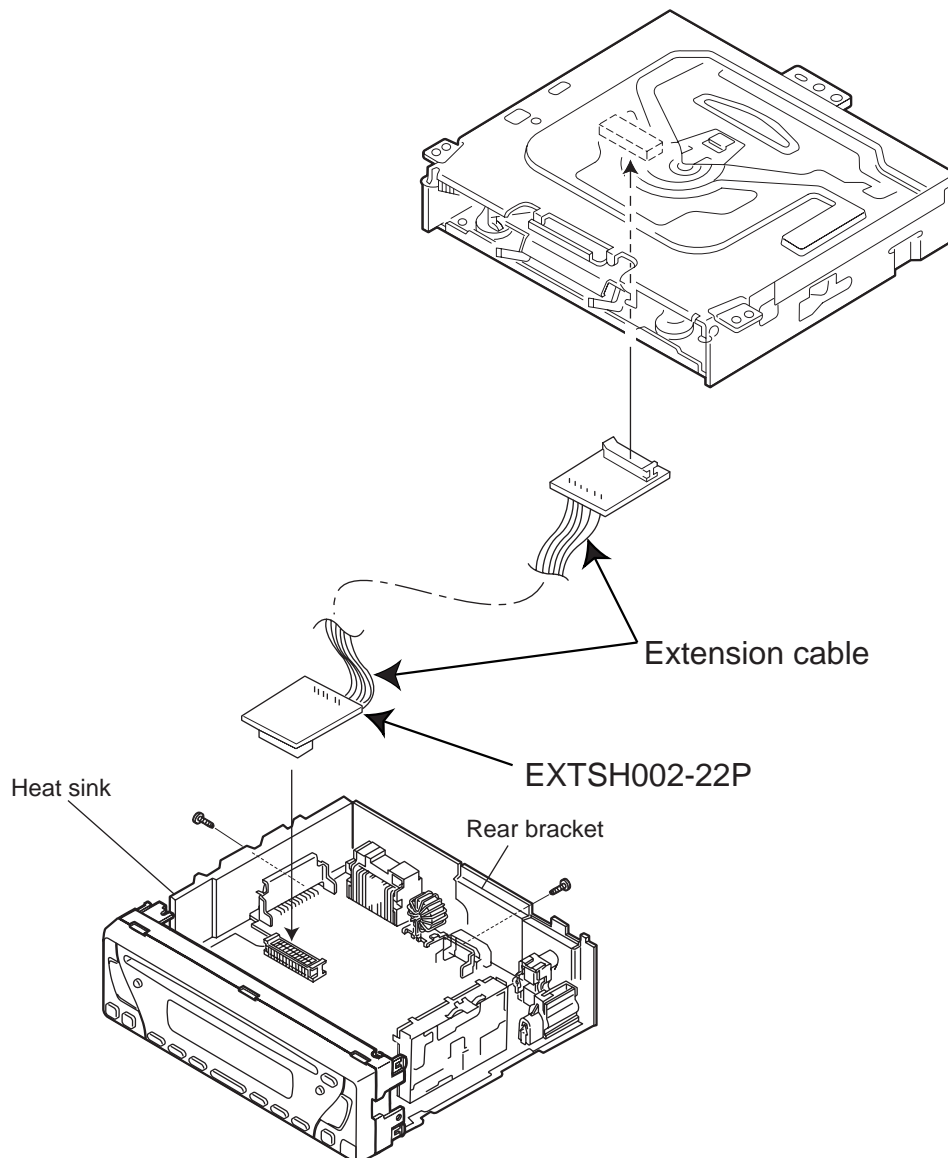
Be sure to attach the heat sink and rear bracket onto the power amplifier IC and regulator IC respectively, before supply the power. If voltage is applied without attaching these parts, the power amplifier IC and regulator IC will be destroyed by heat.

■ Standard measuring conditions

Power supply voltage	DC14.4V(11 to 16V)
Load impedance	20KΩ(2 Speakers connection)
Output Level	Line out 2.5V (Vol. MAX)

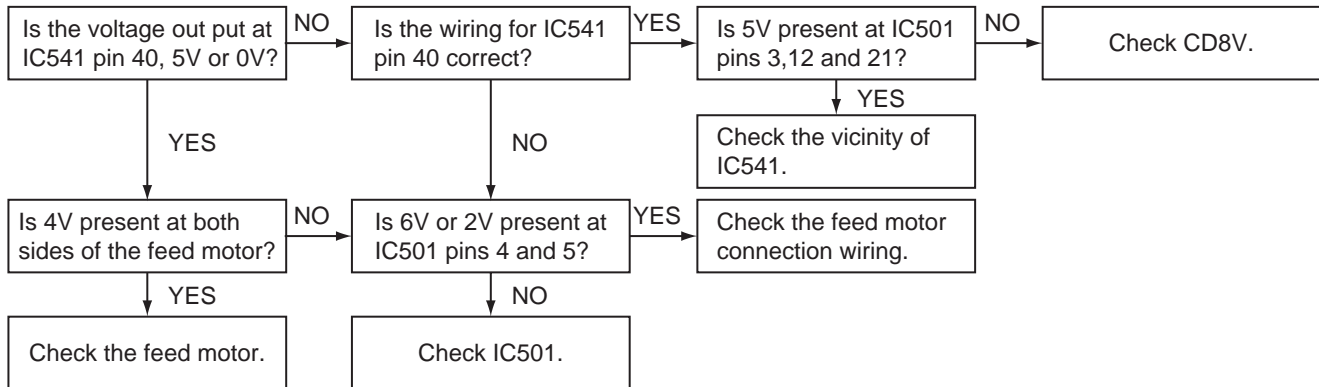
■ Dummy load

Exclusive dummy load should be used for AM, and FM. For FM dummy load, there is a loss of 6dB between SSG output and antenna input. The loss of 6dB need not be considered since direct reading of figures are applied in this working standard.

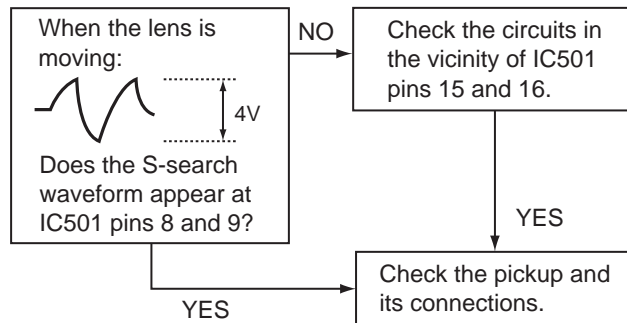


SECTION 5 TROUBLESHOOTING

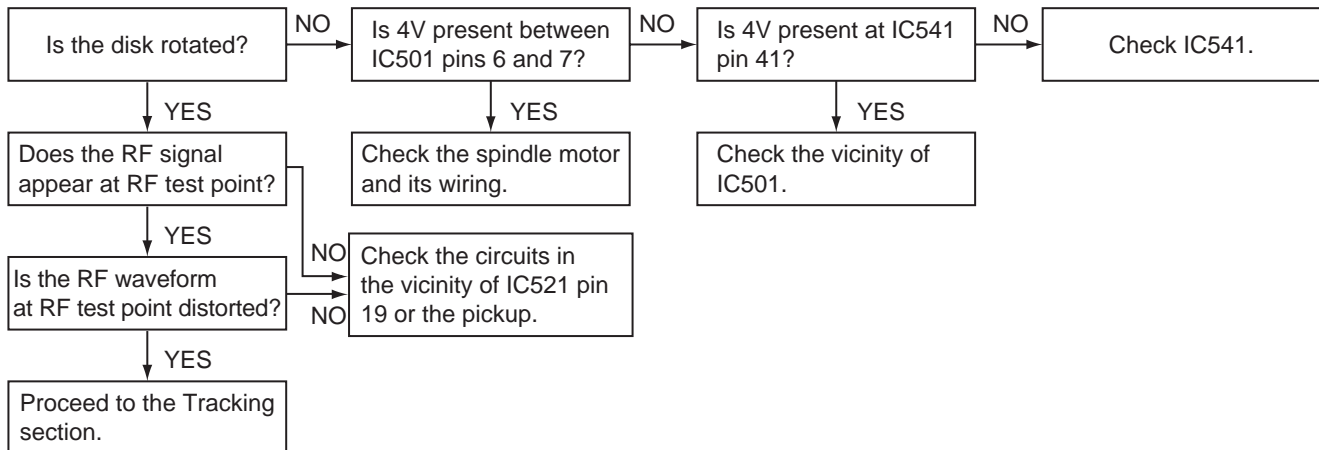
5.1 Feed section



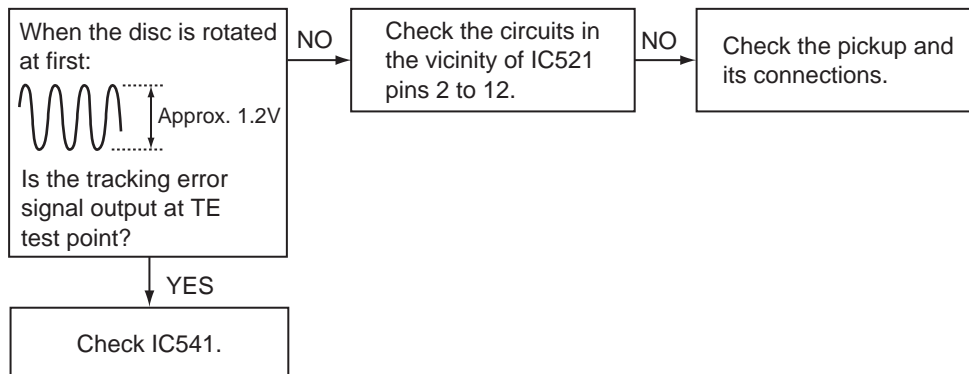
5.2 Focus section



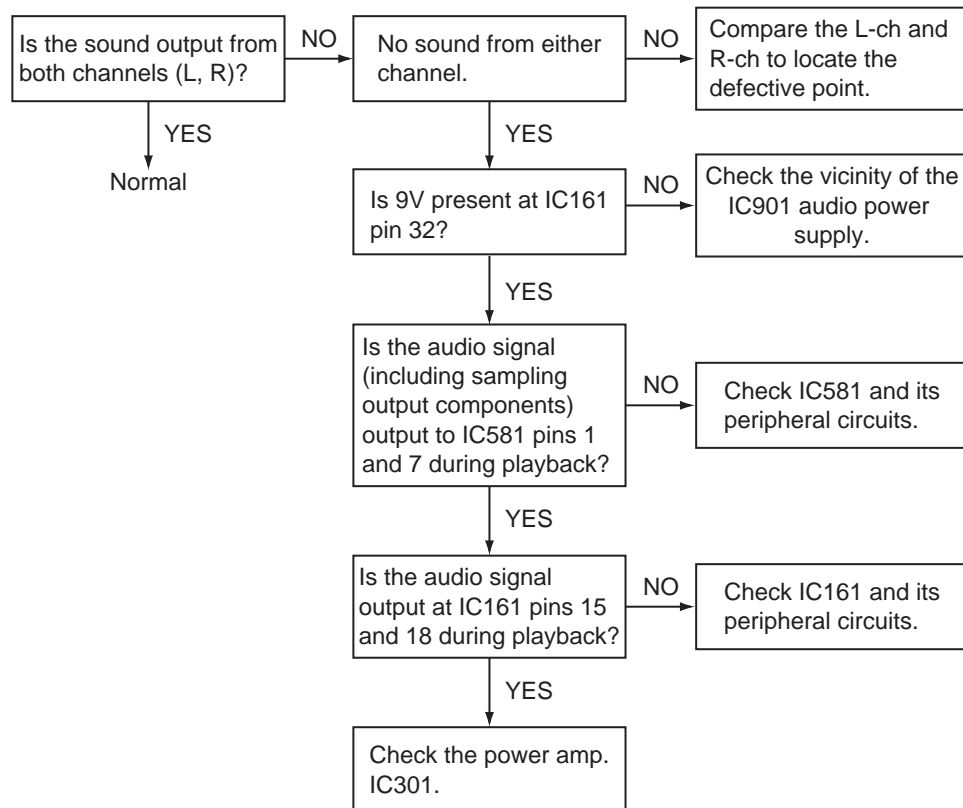
5.3 Spindle section



5.4 Tracking section



5.5 Signal processing section



5.6 Maintenance of laser pickup

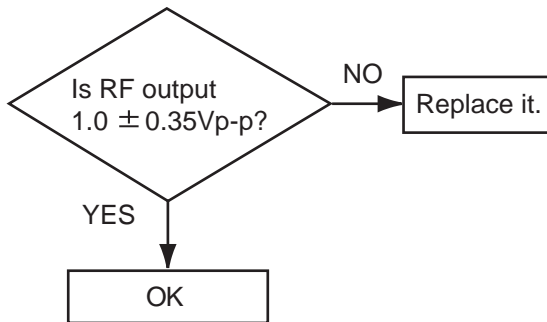
(1) Cleaning the pick up lens

Before you replace the pick up, please try to clean the lens with a alcohol soaked cotton swab.

(2) Life of the laser diode

When the life of the laser diode has expired, the following symptoms will appear.

- The level of RF output (EFM output: amplitude of eye pattern) will be low.

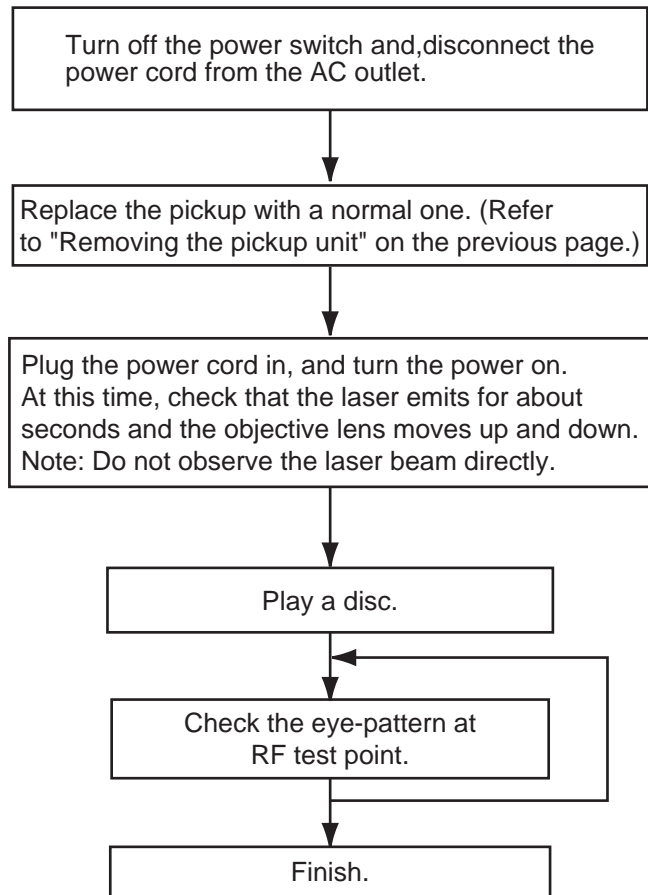


(3) Semi-fixed resistor on the APC PC board

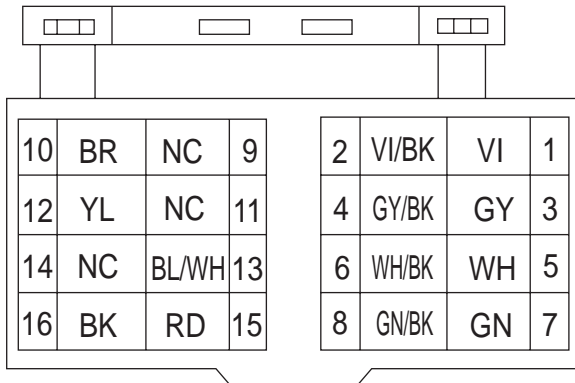
The semi-fixed resistor on the APC printed circuit board which is attached to the pickup is used to adjust the laser power. Since this adjustment should be performed to match the characteristics of the whole optical block, do not touch the semi-fixed resistor.

If the laser power is lower than the specified value, the laser diode is almost worn out, and the laser pickup should be replaced. If the semi-fixed resistor is adjusted while the pickup is functioning normally, the laser pickup may be damaged due to excessive current.

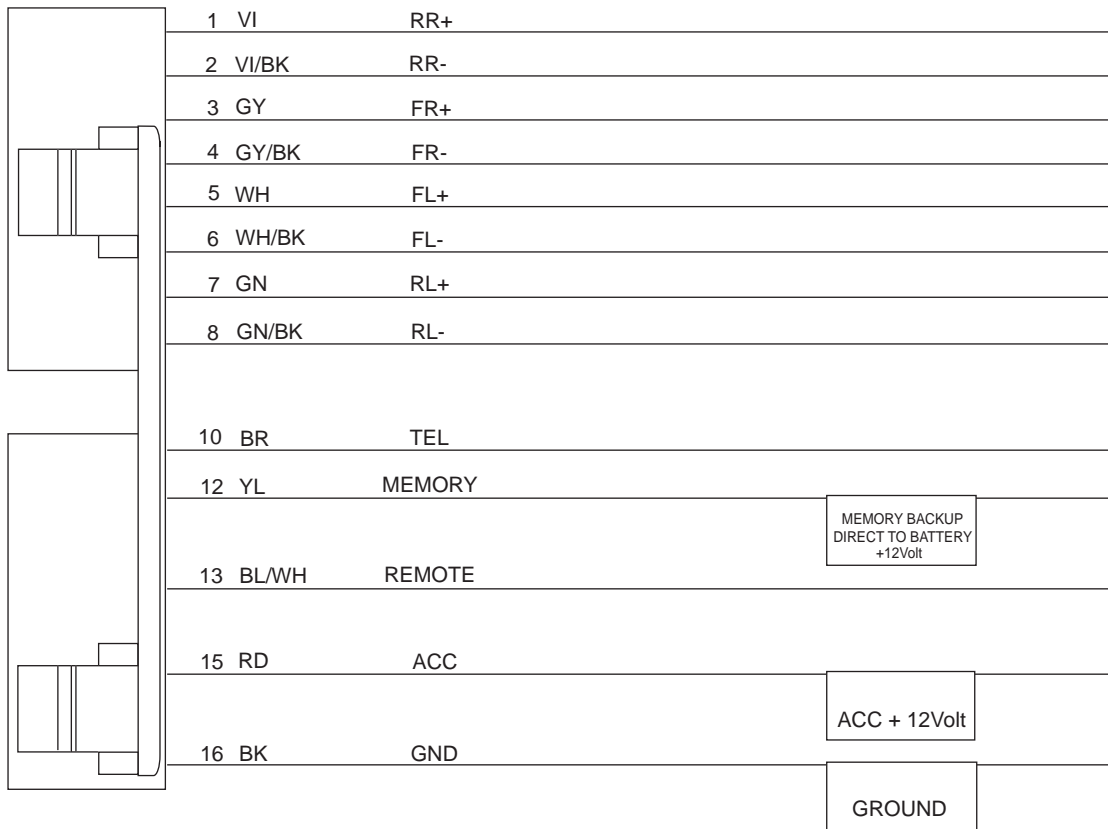
5.7 Replacement of laser pickup



5.8 16 PIN CORD DIAGRAM



BK	Black	GN	Green
RD	Red	VI	Violet
BL	Blue	GY	Gray
WH	White	YL	Yellow
BR	Brown		



RR	Rear Right	ANT	Auto Antenna
FR	Front Right	ACC	ACC Line
FL	Front Left	TEL	Telephone Muting
RL	Rear Left	GND	Ground
REMOTE	Remote out	MEMORY	Memory Backup Battery+



JVC

Victor Company of Japan, Limited
AV & MULTIMEDIA COMPANY CAR ELECTRONICS CATEGORY 10-1,1chome,Ohwatari-machi,Maebashi-city,371-8543,Japan

(No.MA134)

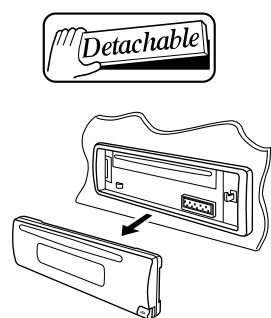
JVC

SCHEMATIC DIAGRAMS

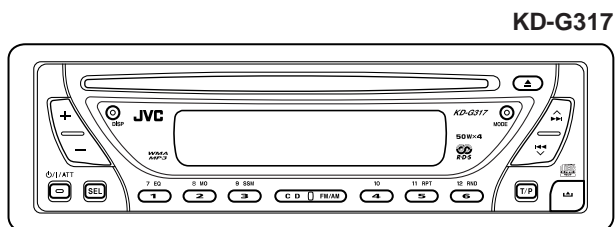
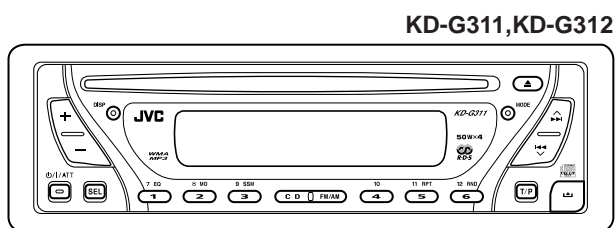
CD RECEIVER

KD-G311, KD-G312 KD-G317

CD-ROM No.SML200502



MP3 WMA



KD-G311, KD-G312	
Area suffix	
E	Southern Europe
EX	Northern Europe
EY	Eastern Europe
EU	Turkey


KD-G317	
Area suffix	
EE	Russian Federation

	KD-G311	KD-G312	KD-G317
STEERING CABLE	○	○	×
CONTROL PANEL	SILVER	BLACK	BLACK

Contents

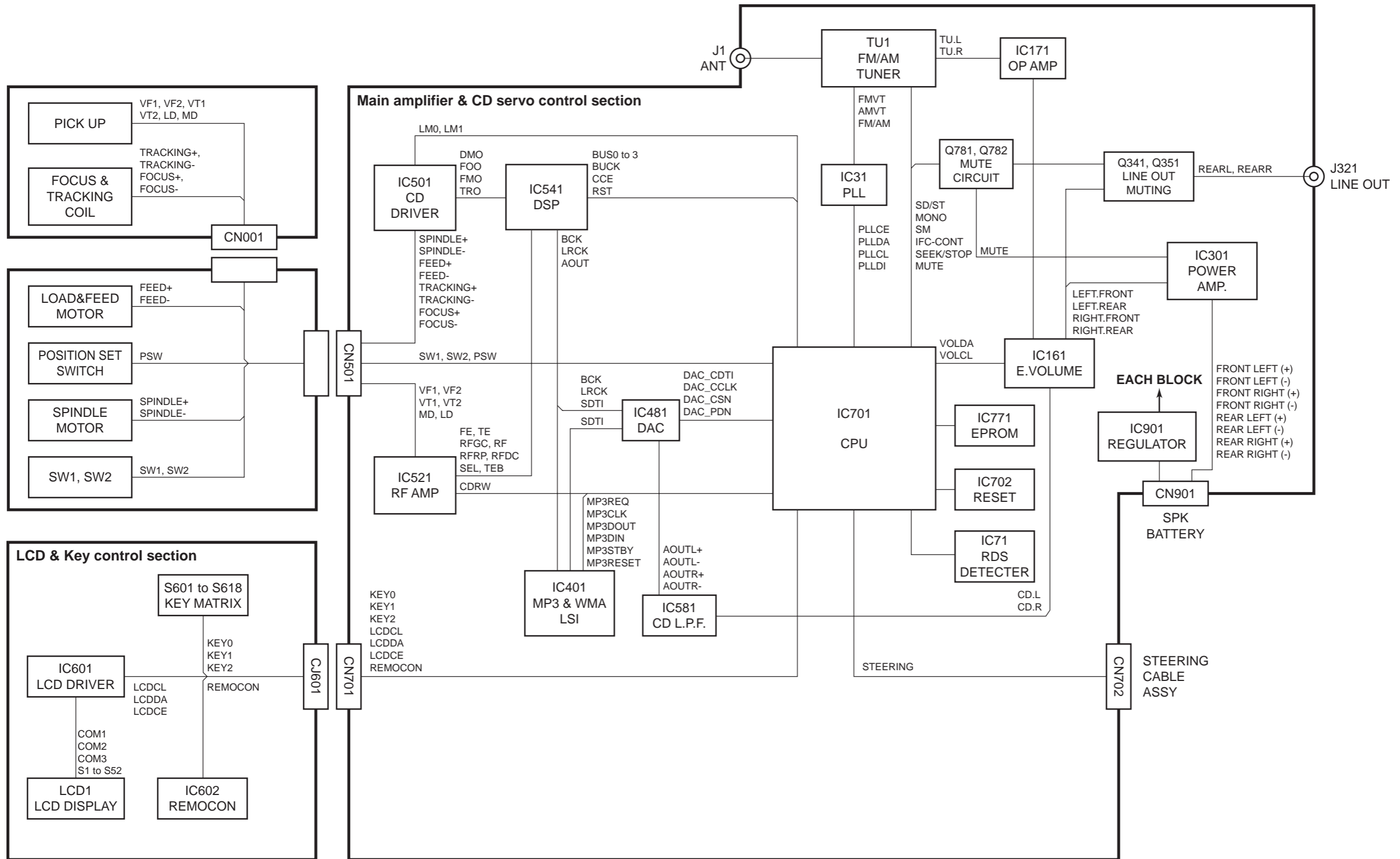
Block diagram (For KD-G311 and KD-G312)	2-1
Standard schematic diagrams (For KD-G311 and KD-G312 E,EX,EY,EU version)	2-2
Printed circuit boards (For KD-G311 and KD-G312 E,EX,EY,EU version)	2-5
Standard schematic diagrams (For KD-G311 and KD-G312 E2,EX2,EY2,EU2 version)	2-6
Printed circuit boards (For KD-G311 and KD-G312 E2,EX2,EY2,EU2 version)	2-9
Block diagram (For KD-G317)	2-10
Standard schematic diagrams (For KD-G317 EE version)	2-11
Printed circuit boards (For KD-G317 EE version)	2-14
Standard schematic diagrams (For KD-G317 EE2 version)	2-15
Printed circuit boards (For KD-G317 EE2 version)	2-18

Safety precaution

 **CAUTION** Burrs formed during molding may be left over on some parts of the chassis. Therefore, pay attention to such burrs in the case of performing repair of this system.

 **CAUTION** Please use enough caution not to see the beam directly or touch it in case of an adjustment or operation check.

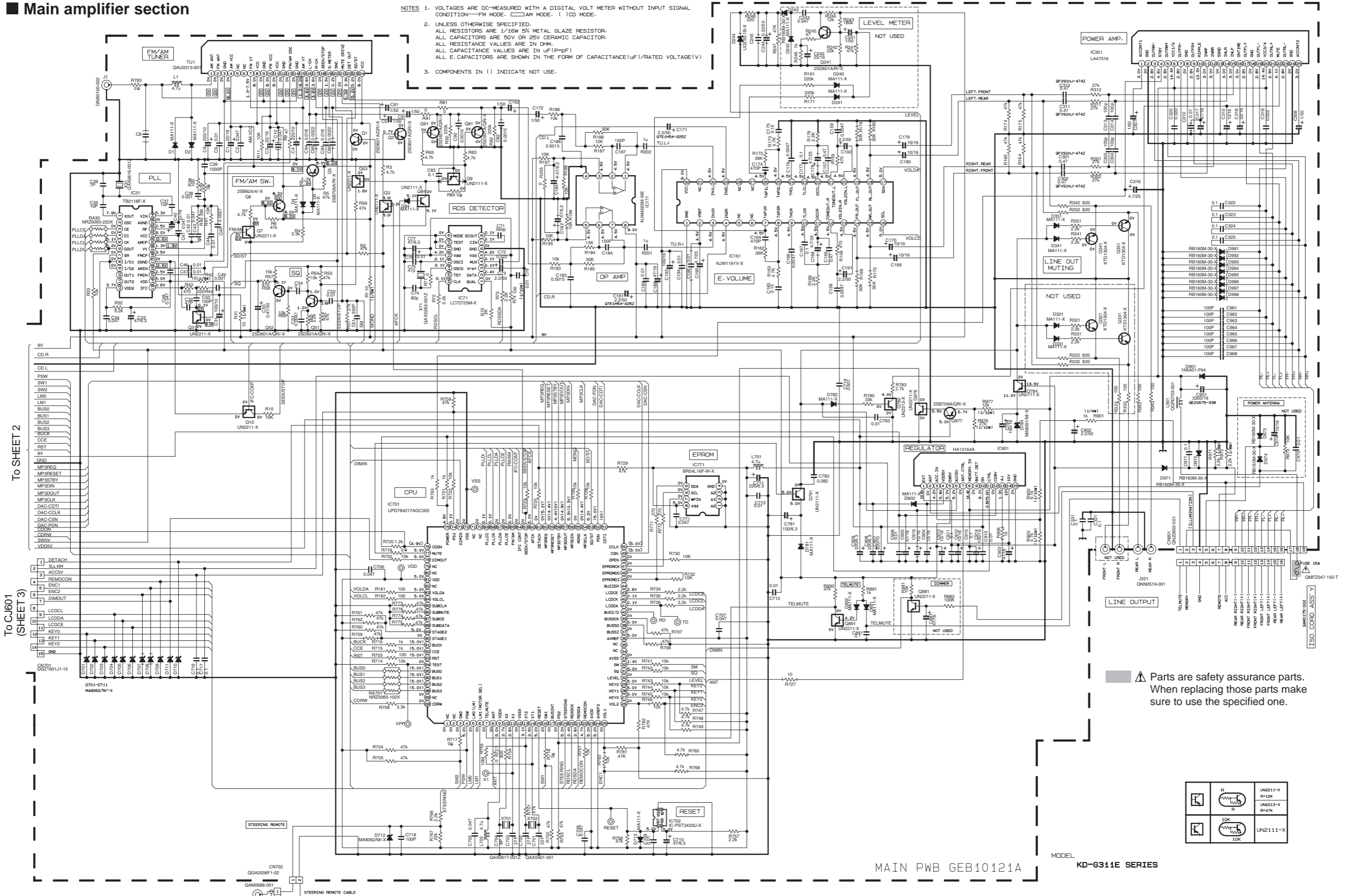
Block diagram (For KD-G311 and KD-G312)



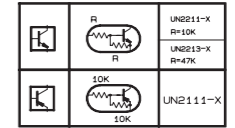
Standard schematic diagrams (For KD-G311 and KD-G312 E, EX, EY, EU version)

Main amplifier section

- NOTES
- VOLTAGES ARE DC-MEASURED WITH A DIGITAL VOLT METER WITHOUT INPUT SIGNAL CONDITION—FM MODE. □ AM MODE. ⊞ LCD MODE.
 - UNLESS OTHERWISE SPECIFIED, ALL RESISTORS ARE 1/16W 5% METAL GLAZE RESISTOR. ALL CAPACITORS ARE 50V OR 25V CERAMIC CAPACITOR. ALL RESISTANCE VALUES ARE IN OHM. ALL CAPACITANCE VALUES ARE IN UF(PpF) ALL E-CAPACITORS ARE SHOWN IN THE FORM OF CAPACITANCE(UF)/RATED VOLTAGE(V)
 - COMPONENTS IN () INDICATE NOT USE.

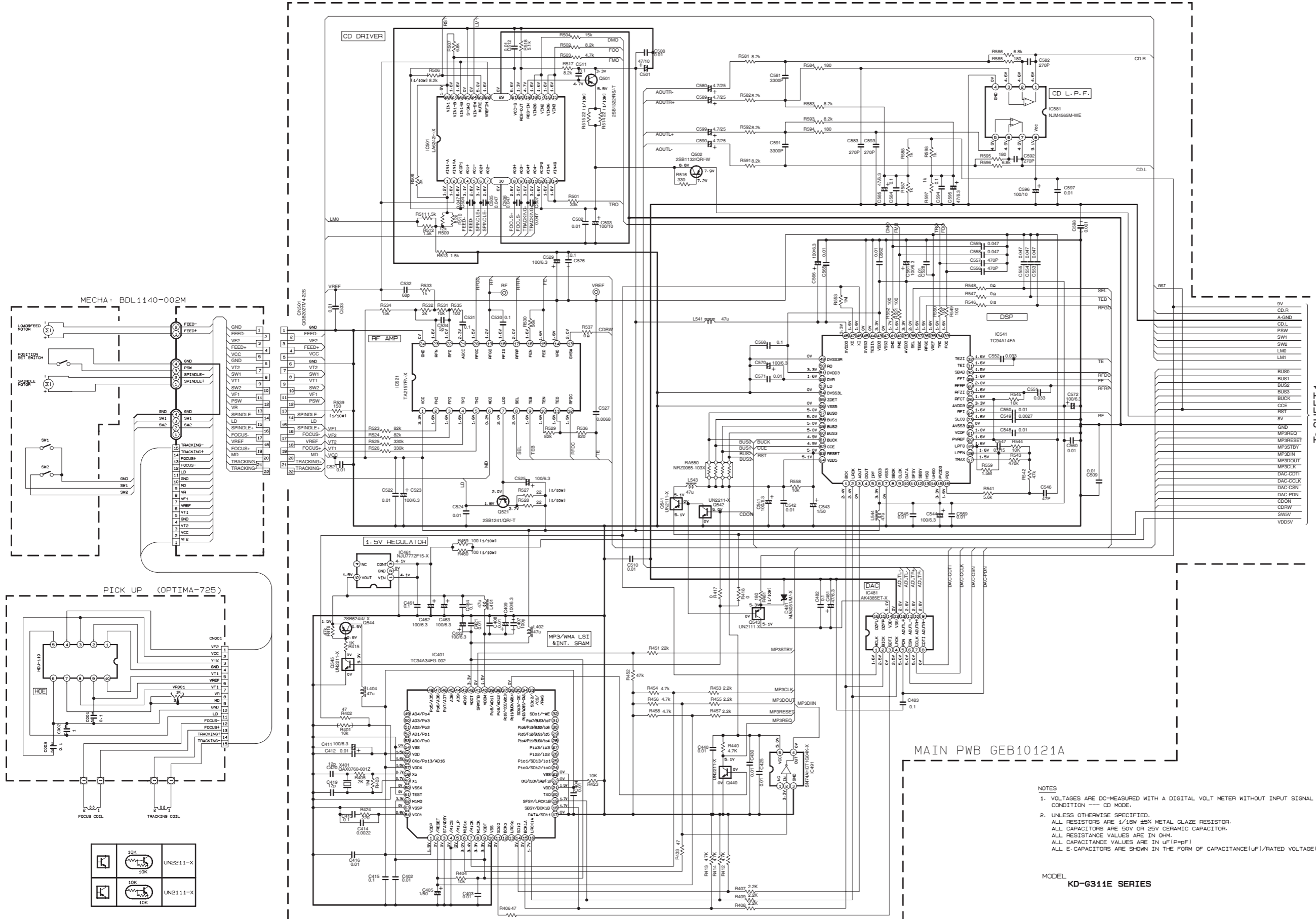


⚠ Parts are safety assurance parts. When replacing those parts make sure to use the specified one.



MODEL MAIN PWB GEB10121A KD-G311E SERIES

CD servo control section

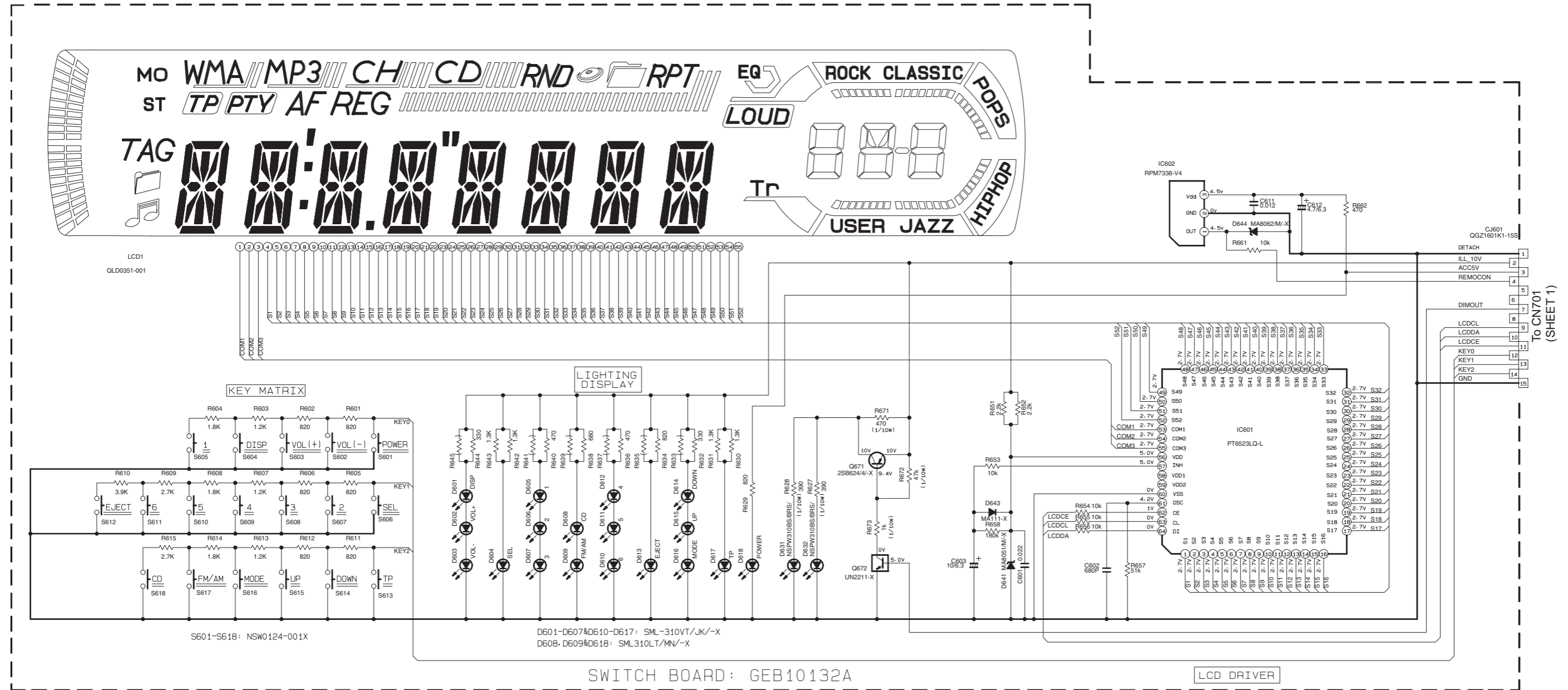


TO SHEET 1

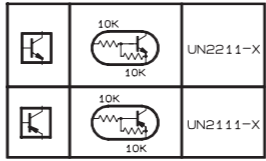
- NOTES
- VOLTAGES ARE DC-MEASURED WITH A DIGITAL VOLT METER WITHOUT INPUT SIGNAL CONDITION --- CD MODE.
 - UNLESS OTHERWISE SPECIFIED, ALL RESISTORS ARE 1/16W ±5% METAL GLAZE RESISTOR. ALL CAPACITORS ARE 50V OR 25V CERAMIC CAPACITOR. ALL RESISTANCE VALUES ARE IN OHM. ALL CAPACITANCE VALUES ARE IN uF (P=pF) ALL E. CAPACITORS ARE SHOWN IN THE FORM OF CAPACITANCE(uF)/RATED VOLTAGE(V)

MODEL
KD-G311E SERIES

■ LCD & Key control section



FRONT CIRCUIT BOARD SECTION



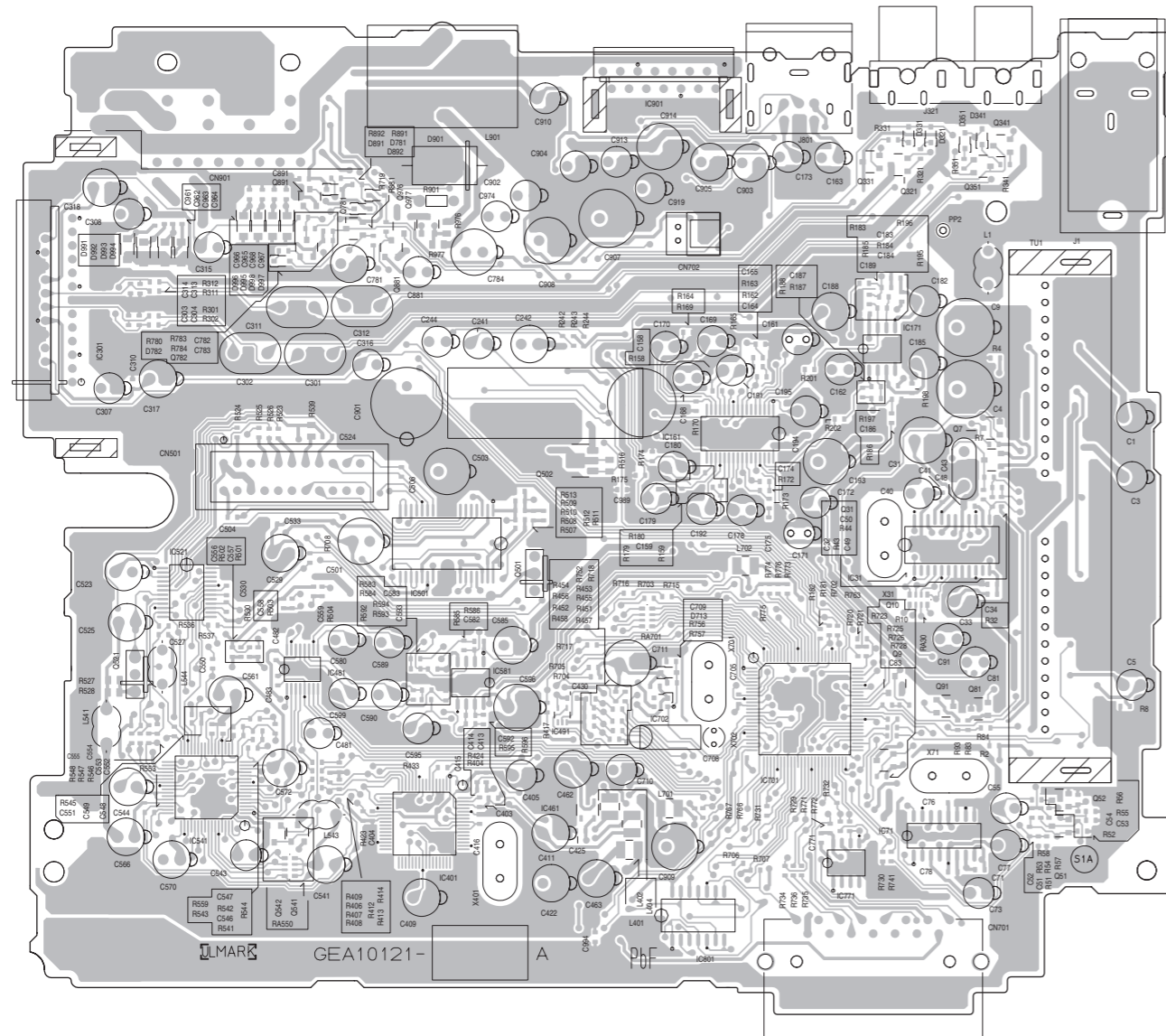
- NOTES
- VOLTAGES ARE DC-MEASURED WITH A DIGITAL VOLT METER WITHOUT INPUT SIGNAL.
 - UNLESS OTHERWISE SPECIFIED, ALL RESISTORS ARE 1/16W METAL GLAZE RESISTORS. ALL CAPACITORS ARE 50V OR 25V CERAMIC CAPACITOR. ALL RESISTANCE VALUES ARE IN OHM. ALL CAPACITANCE VALUES ARE IN uF (P=pF) ALL E-CAPACITORS ARE SHOWN IN THE FORM OF CAPACITANCE(uF)/RATED VOLTAGE(V) T --- TANTALUM CAPACITOR.
 - COMPONENTS IN () INDICATE NOT USE.

MODEL KD-6311E SERIES

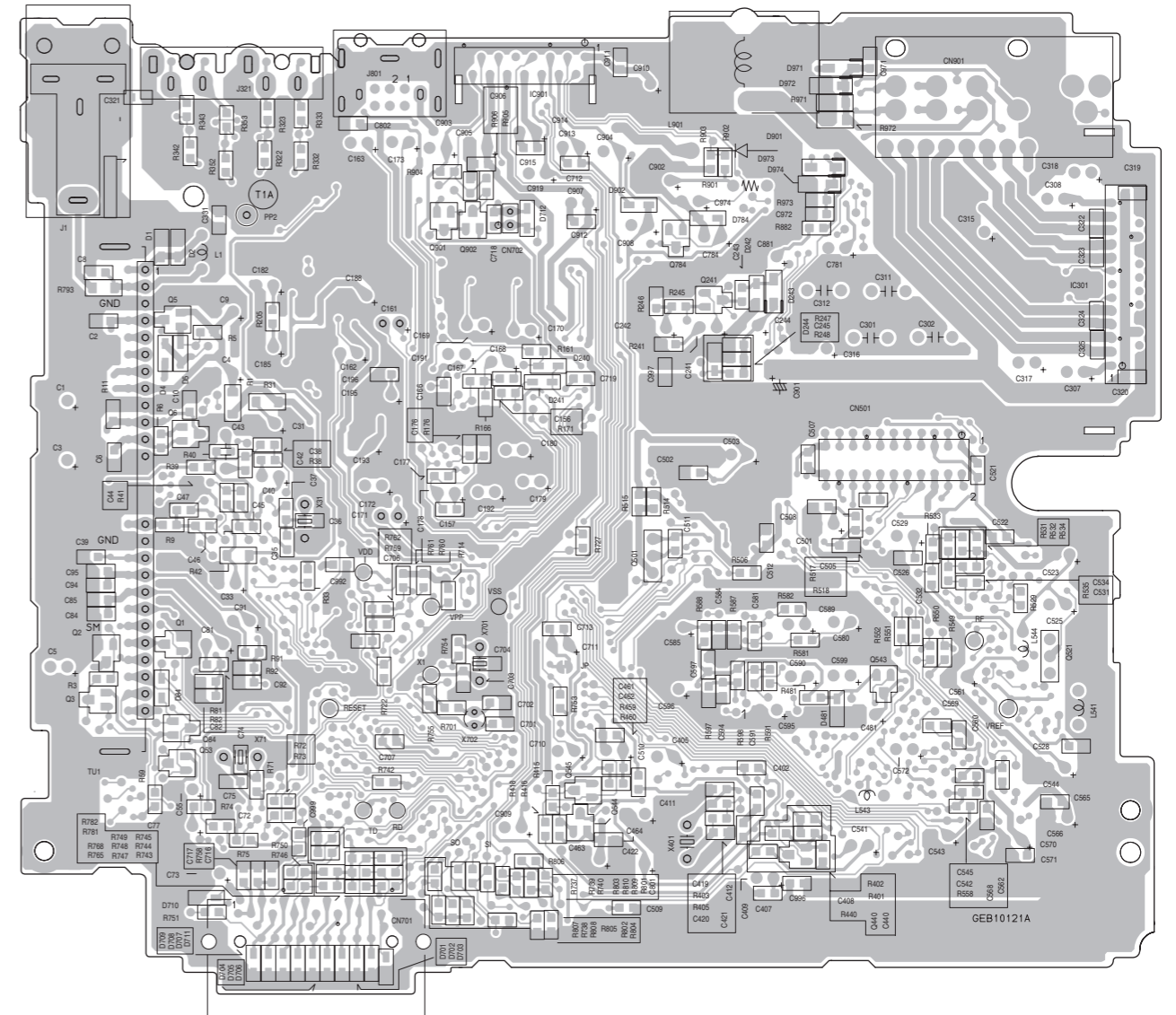
Printed circuit boards (For KD-G311 and KD-G312 E, EX, EY, EU version)

■ Main board

Forward side

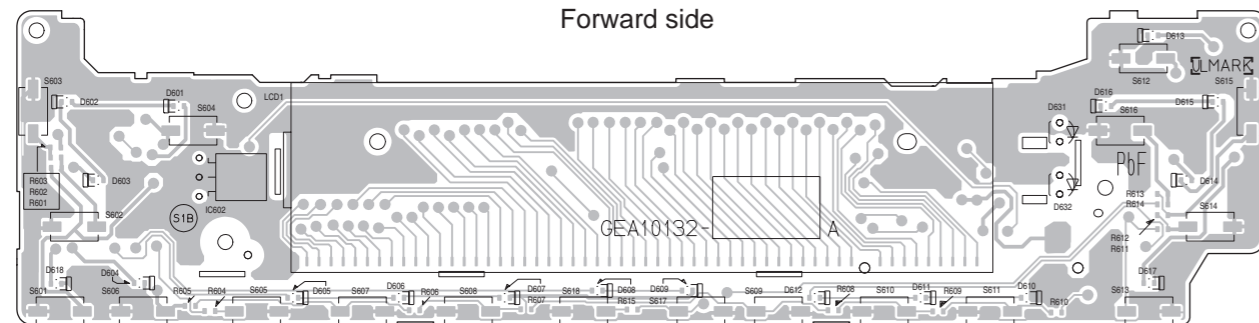


Reverse side

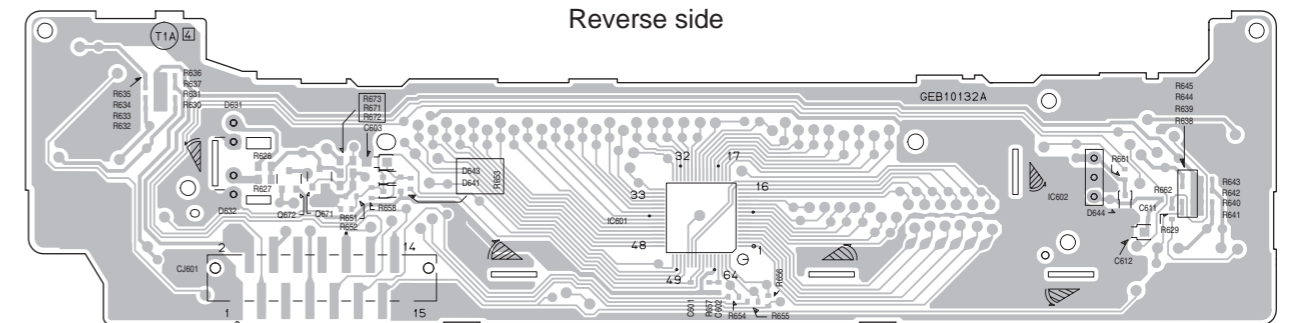


■ Switch board

Forward side



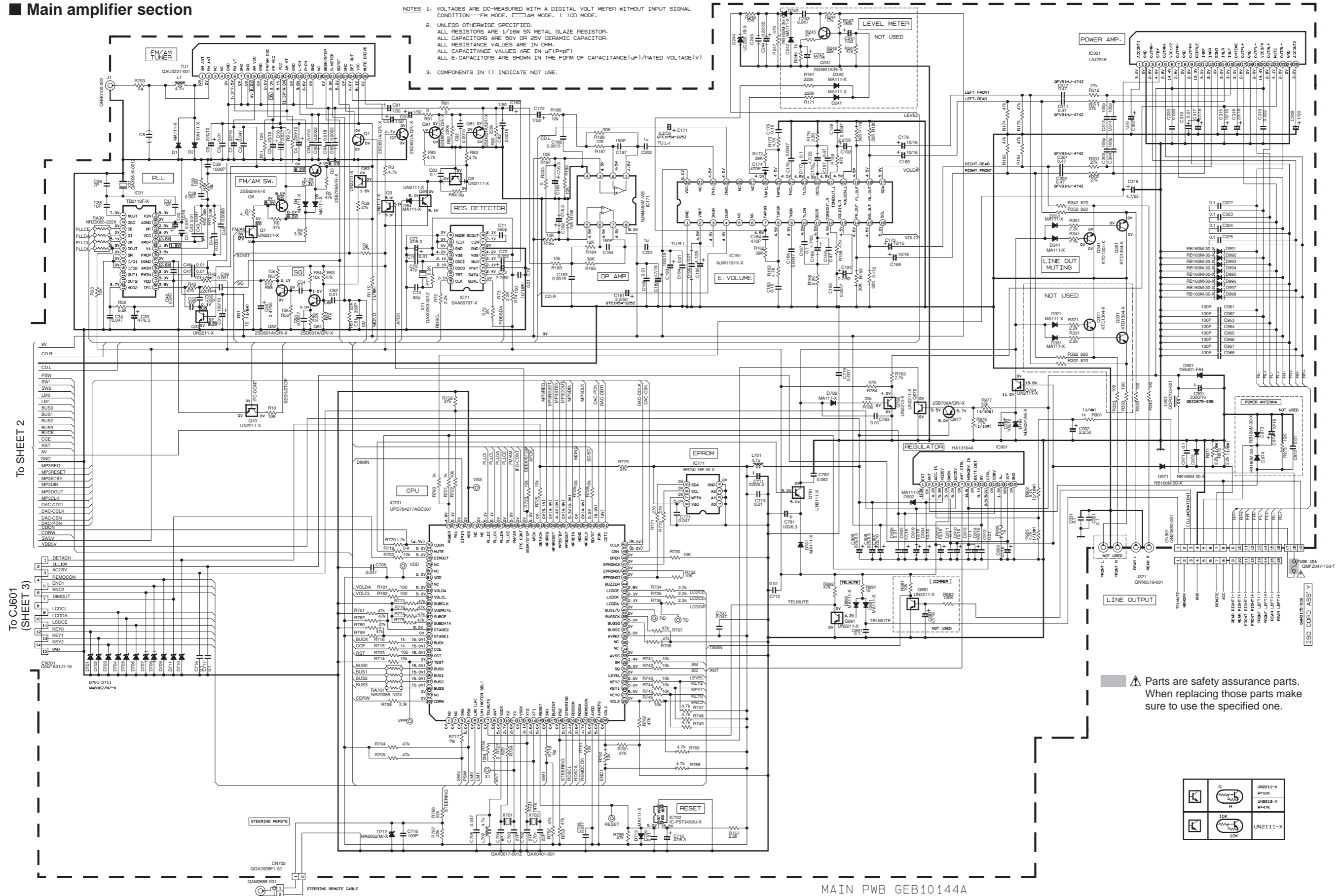
Reverse side



Standard schematic diagrams (For KD-G311 and KD-G312 E2, EX2, EY2, EU2 version)

Main amplifier section

- NOTES
1. VOLTAGES ARE DC-MEASURED WITH A DIGITAL VOLT METER WITHOUT INPUT SIGNAL CONDITION—FM MODE. □ AM MODE. () CD MODE.
 2. UNLESS OTHERWISE SPECIFIED.
ALL RESISTORS ARE 1/16W 5% METAL GLAZE RESISTOR.
ALL CAPACITORS ARE 50V OR 25V CERAMIC CAPACITOR.
ALL RESISTANCE VALUES ARE IN OHM.
ALL CAPACITANCE VALUES ARE IN UF(PpF)
ALL E-CAPACITORS ARE SHOWN IN THE FORM OF CAPACITANCE(UF)/RATED VOLTAGE(V)
 3. COMPONENTS IN () INDICATE NOT USE.



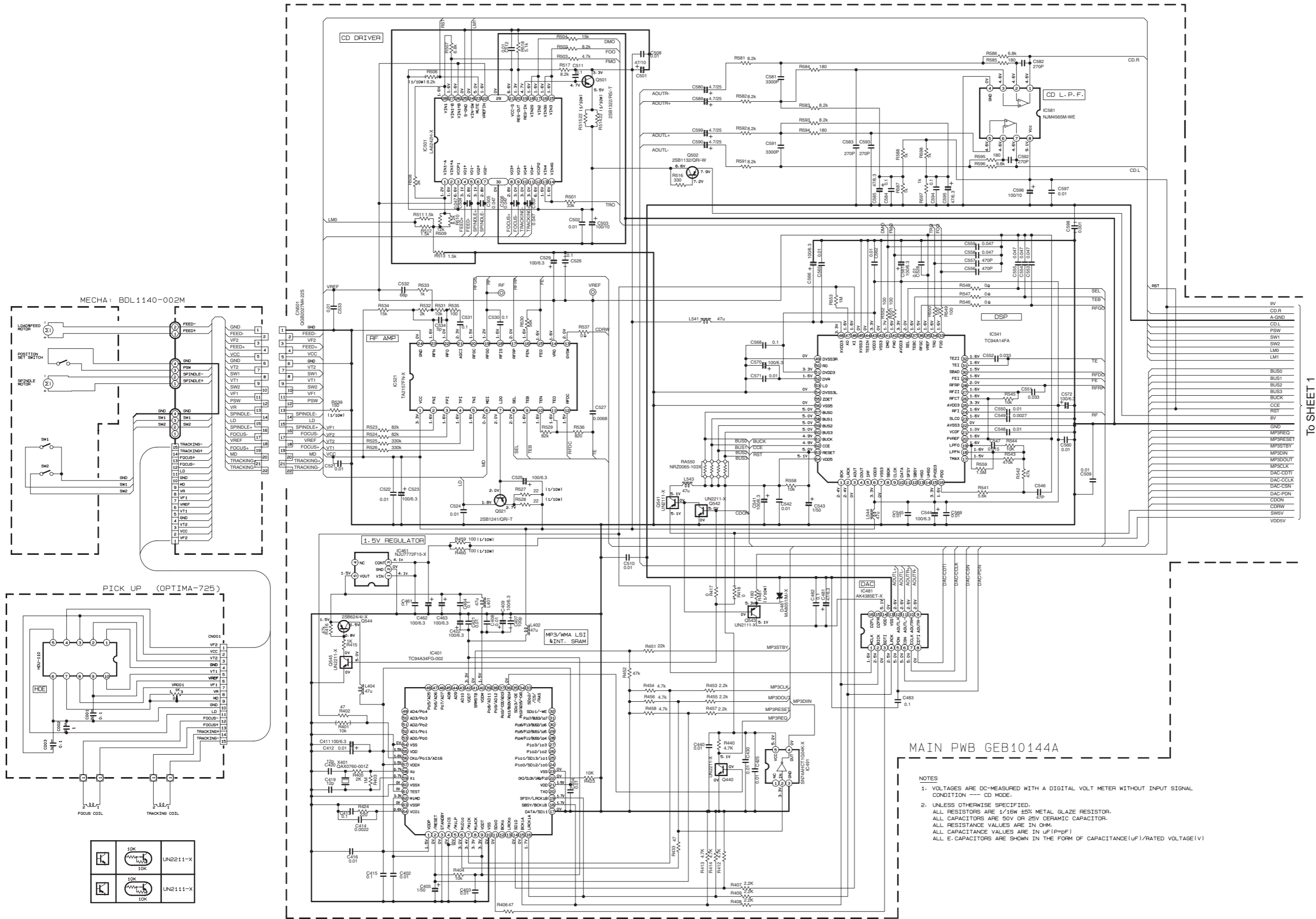
TO SHEET 2

TO C.J601 (SHEET 3)

MAIN PWB GEB10144A

SHEET 1

CD servo control section

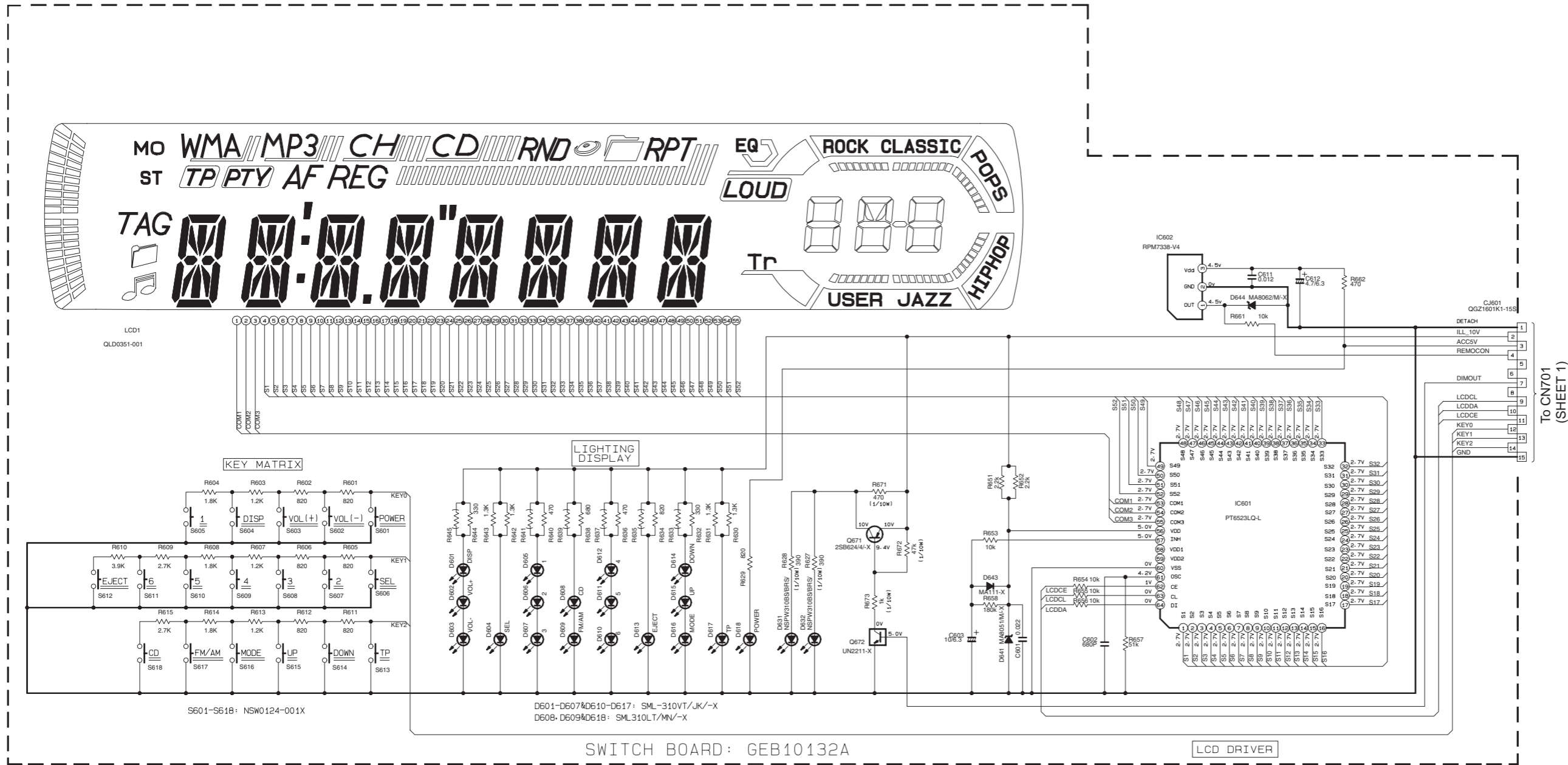


MAIN PWB GEB10144A

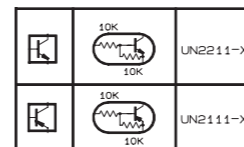
- NOTES
- VOLTAGES ARE DC-MEASURED WITH A DIGITAL VOLT METER WITHOUT INPUT SIGNAL CONDITION --- CD MODE.
 - UNLESS OTHERWISE SPECIFIED, ALL RESISTORS ARE 1/16W ±5% METAL GLAZE RESISTOR. ALL CAPACITORS ARE 50V OR 25V CERAMIC CAPACITOR. ALL RESISTANCE VALUES ARE IN OHM. ALL CAPACITANCE VALUES ARE IN uF (pF).

TO SHEET 1

■ LCD & Key control section



FRONT CIRCUIT BOARD SECTION



NOTES

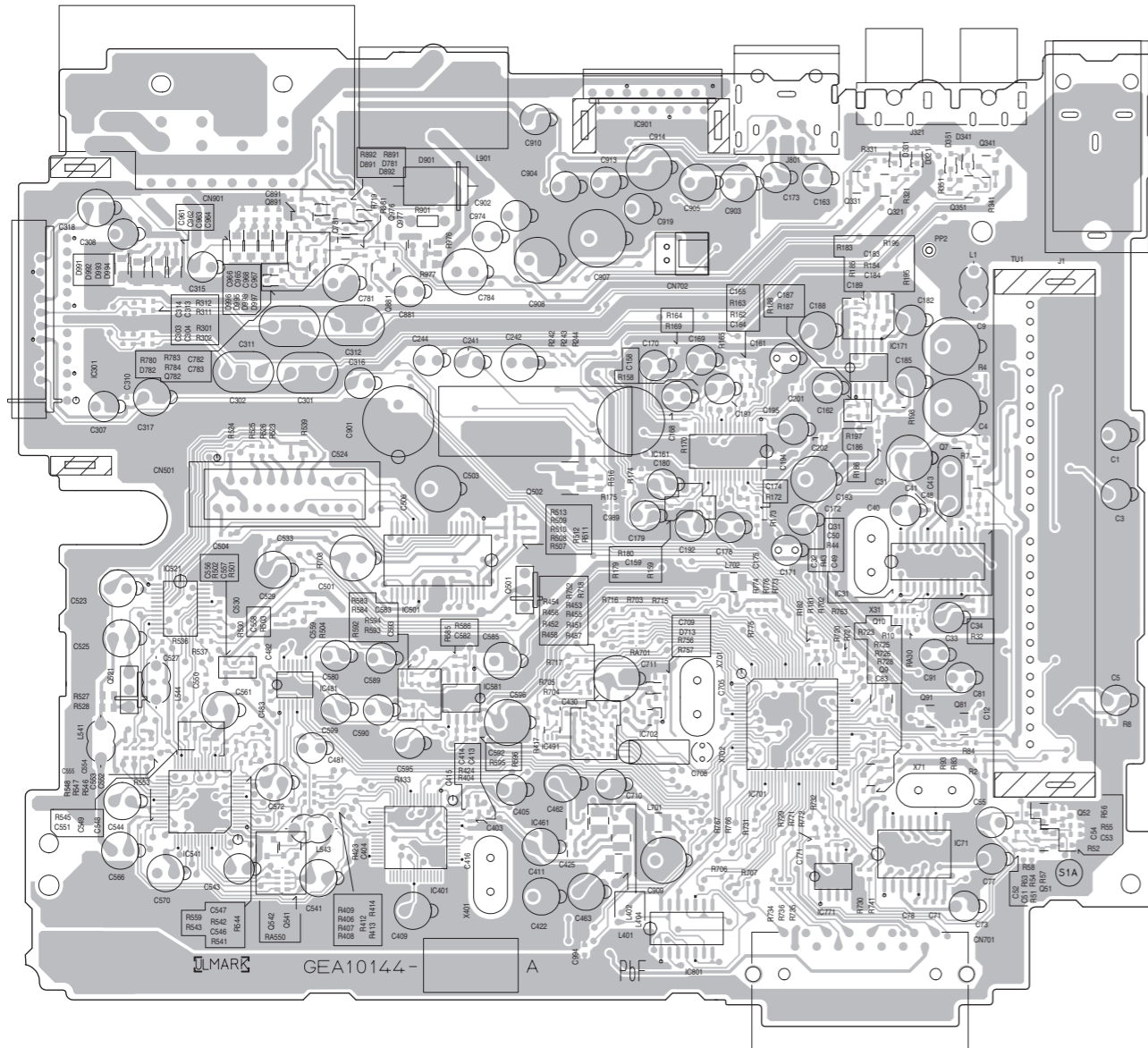
1. VOLTAGES ARE DC-MEASURED WITH A DIGITAL VOLT METER WITHOUT INPUT SIGNAL.
2. UNLESS OTHERWISE SPECIFIED, ALL RESISTORS ARE 1/16W METAL GLAZE RESISTORS. ALL CAPACITORS ARE 50V OR 25V CERAMIC CAPACITOR. ALL RESISTANCE VALUES ARE IN OHM. ALL CAPACITANCE VALUES ARE IN uF(P=pF) ALL E. CAPACITORS ARE SHOWN IN THE FORM OF CAPACITANCE(uF)/RATED VOLTAGE(V) T --- TANTALUM CAPACITOR.
3. COMPONENTS IN () INDICATE NOT USE.

To CN701 (SHEET 1)

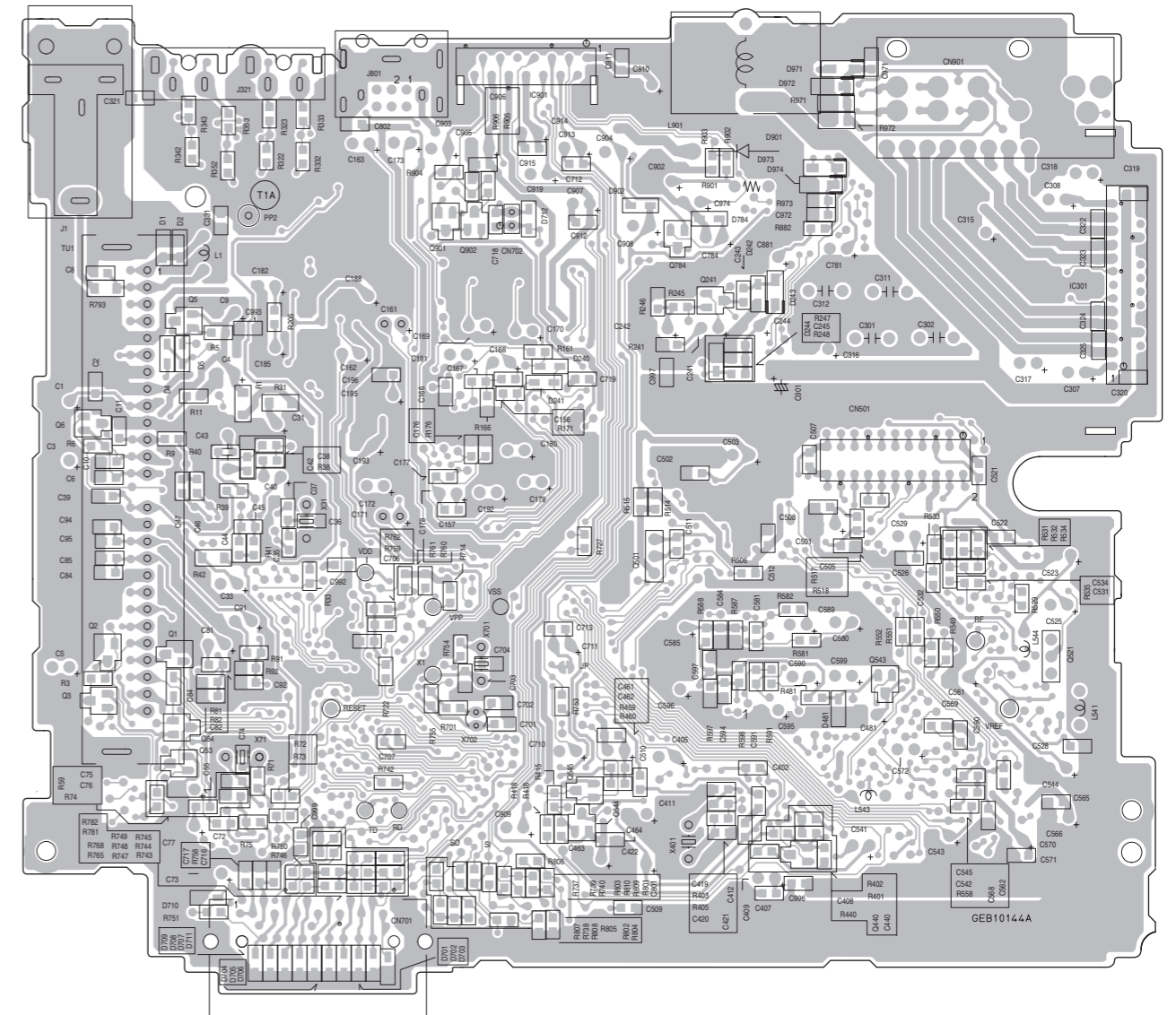
Printed circuit boards (For KD-G311 and KD-G312 E2, EX2, EY2, EU2 version)

■ Main board

Forward side

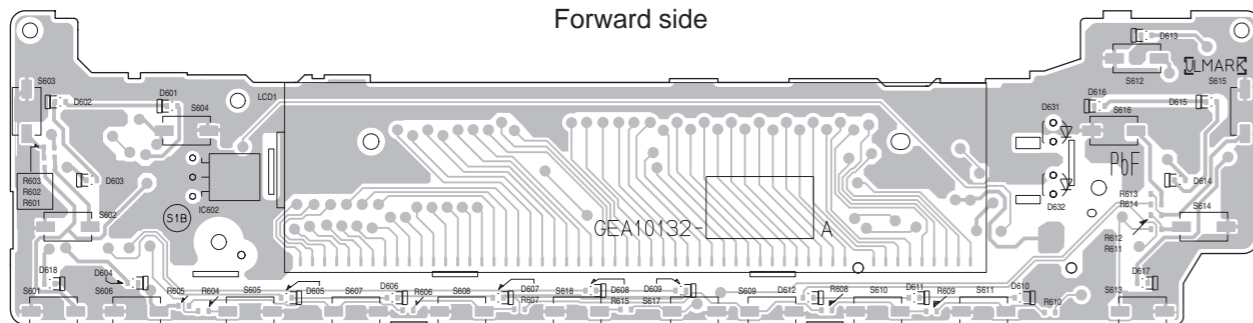


Reverse side

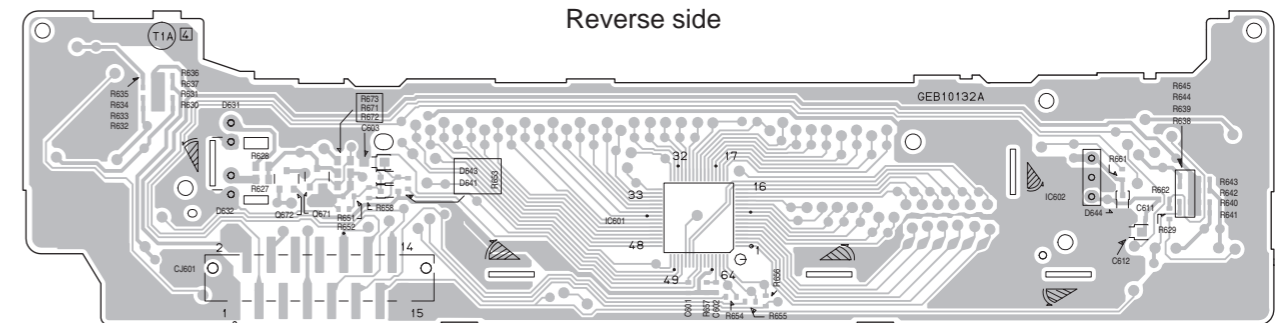


■ Switch board

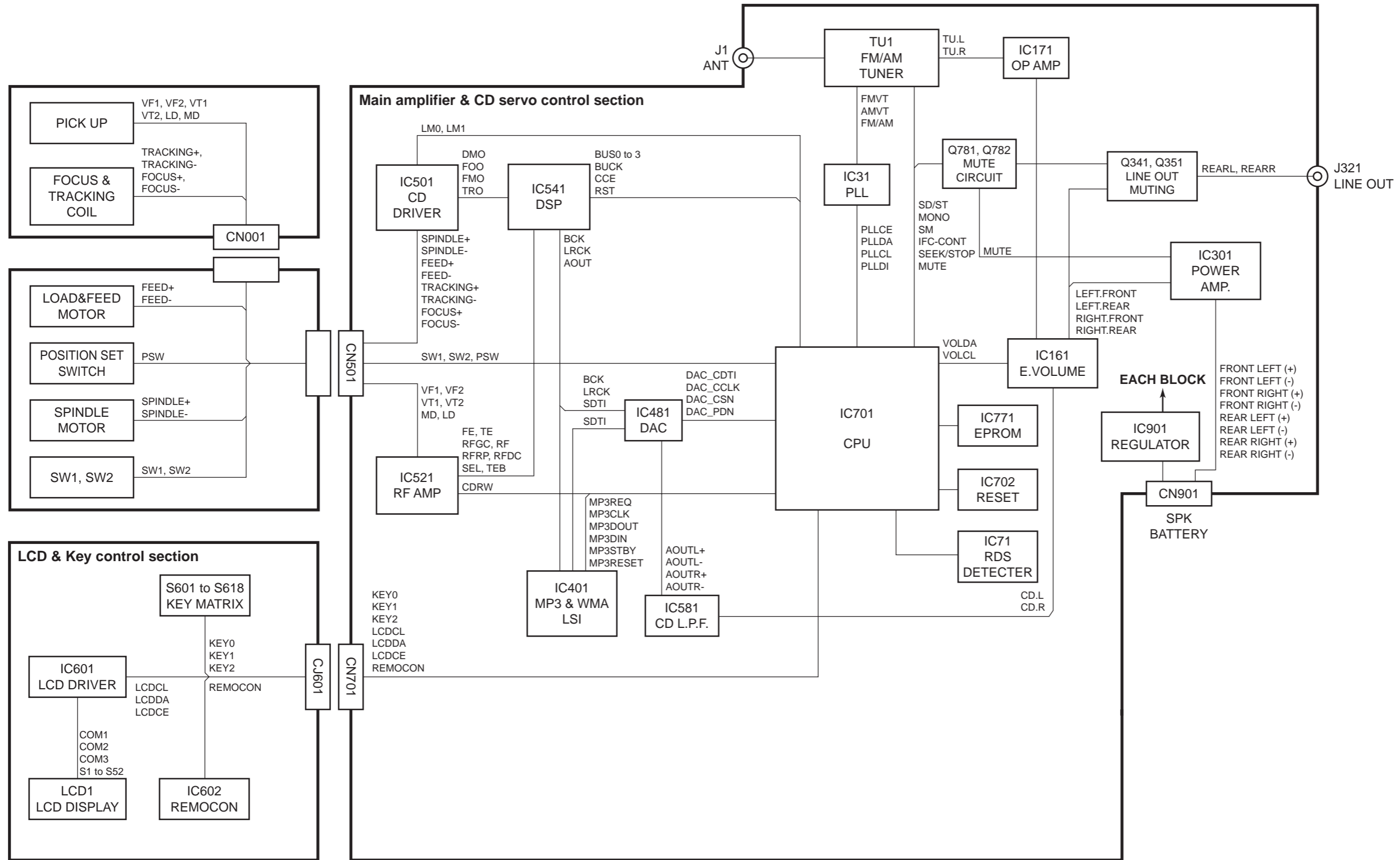
Forward side



Reverse side



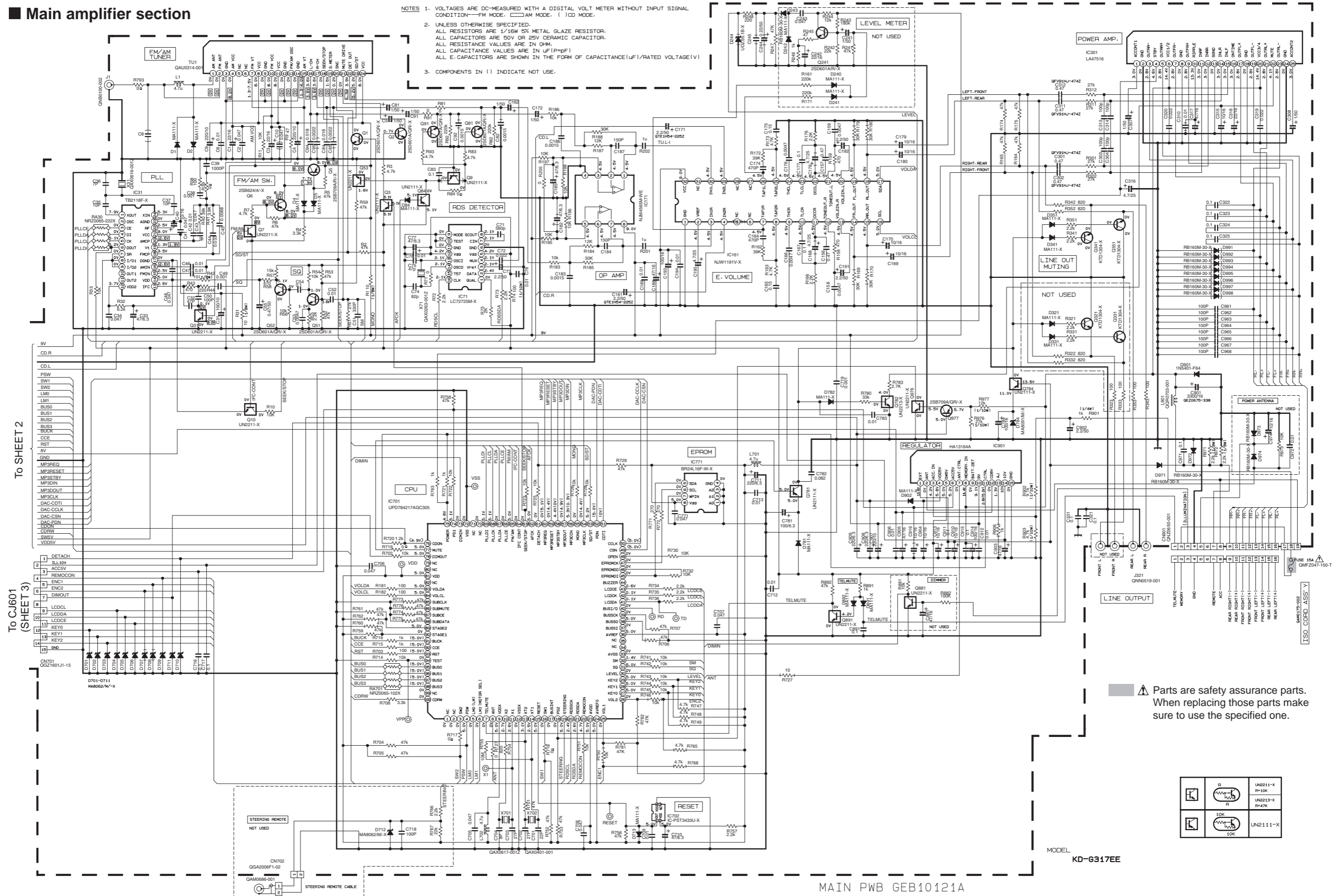
Block diagram (For KD-G317)



Standard schematic diagrams (For KD-G317 EE version)

Main amplifier section

- NOTES 1. VOLTAGES ARE DC-MEASURED WITH A DIGITAL VOLT METER WITHOUT INPUT SIGNAL CONDITION—FM MODE. □ AM MODE. () CD MODE.
2. UNLESS OTHERWISE SPECIFIED:
ALL RESISTORS ARE 1/16W 5% METAL GLAZE RESISTOR.
ALL CAPACITORS ARE 50V OR 25V CERAMIC CAPACITOR.
ALL RESISTANCE VALUES ARE IN OHM.
ALL CAPACITANCE VALUES ARE IN uF(P=PF)
ALL E-CAPACITORS ARE SHOWN IN THE FORM OF CAPACITANCE(uF)/RATED VOLTAGE(V)
3. COMPONENTS IN () INDICATE NOT USE.



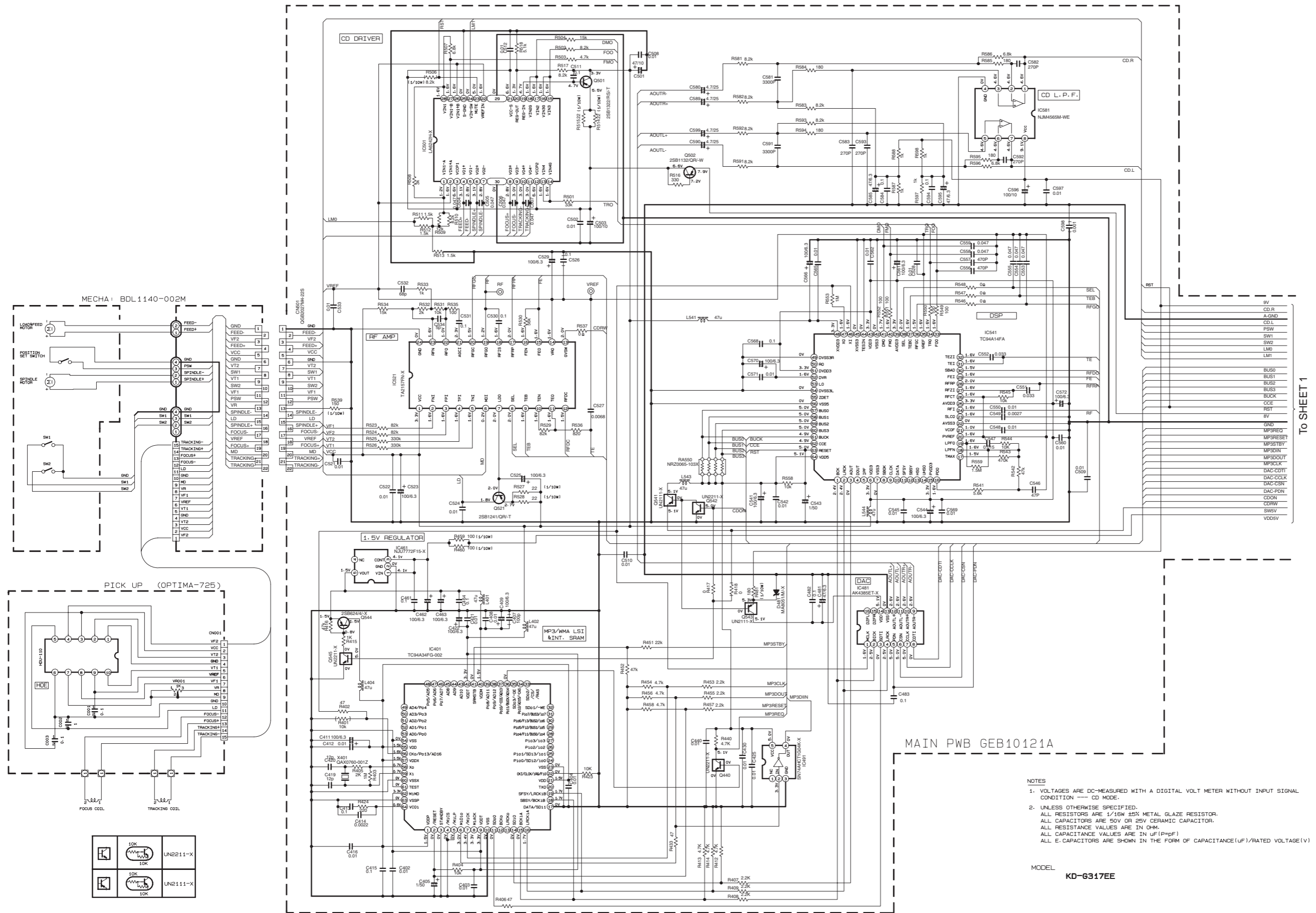
Parts are safety assurance parts. When replacing those parts make sure to use the specified one.

	UN211-X
	R=10K
	UN213-X
	R=47K
	UN211-X
	10K

MODEL KD-G317EE

MAIN PWB GEB10121A

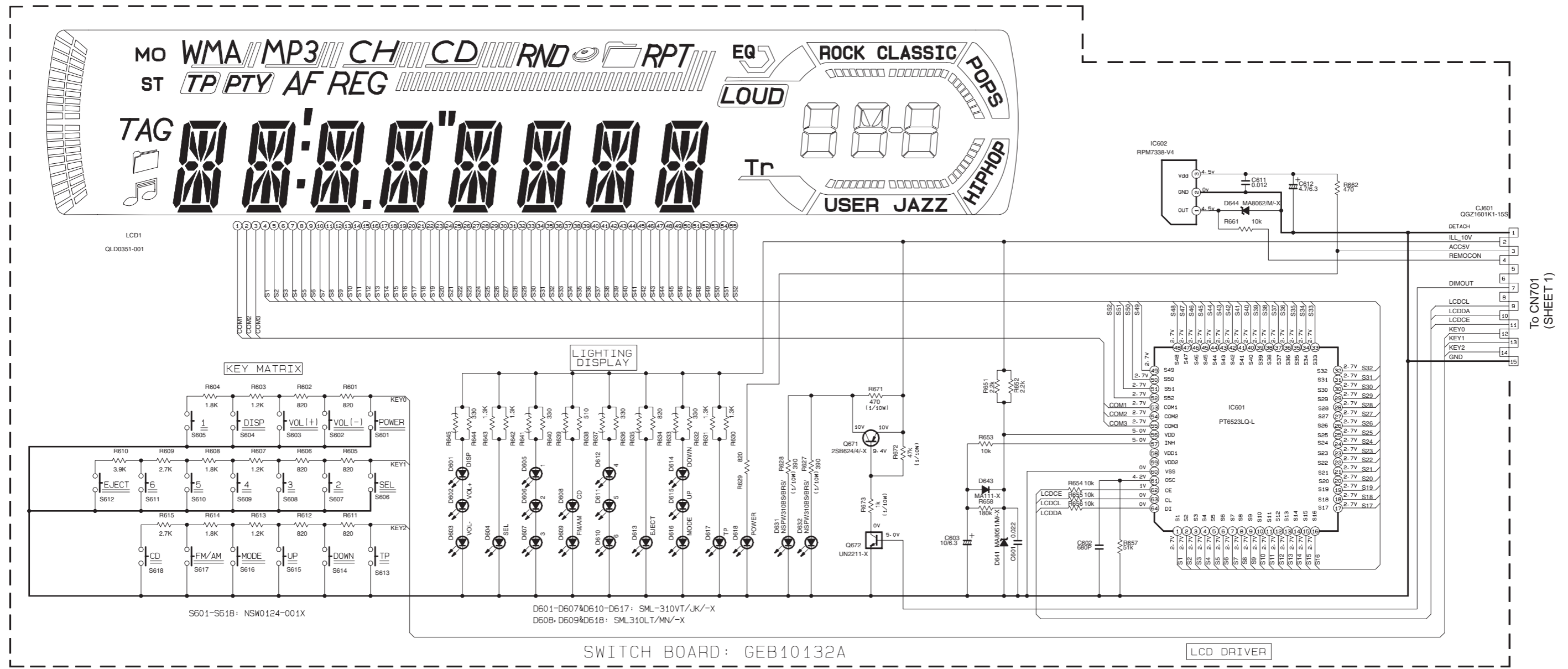
CD servo control section



NOTES
 1. VOLTAGES ARE DC-MEASURED WITH A DIGITAL VOLT METER WITHOUT INPUT SIGNAL CONDITION --- CD MODE.
 2. UNLESS OTHERWISE SPECIFIED, ALL RESISTORS ARE 1/16W ±5% METAL GLAZE RESISTOR. ALL CAPACITORS ARE 50V OR 25V CERAMIC CAPACITOR. ALL RESISTANCE VALUES ARE IN OHM. ALL CAPACITANCE VALUES ARE IN UF (P=PF) ALL E. CAPACITORS ARE SHOWN IN THE FORM OF CAPACITANCE(UF)/RATED VOLTAGE(V)

MODEL KD-6317EE

■ LCD & Key control section



FRONT CIRCUIT BOARD SECTION

	10K	UN2211-X
	10K	UN2111-X

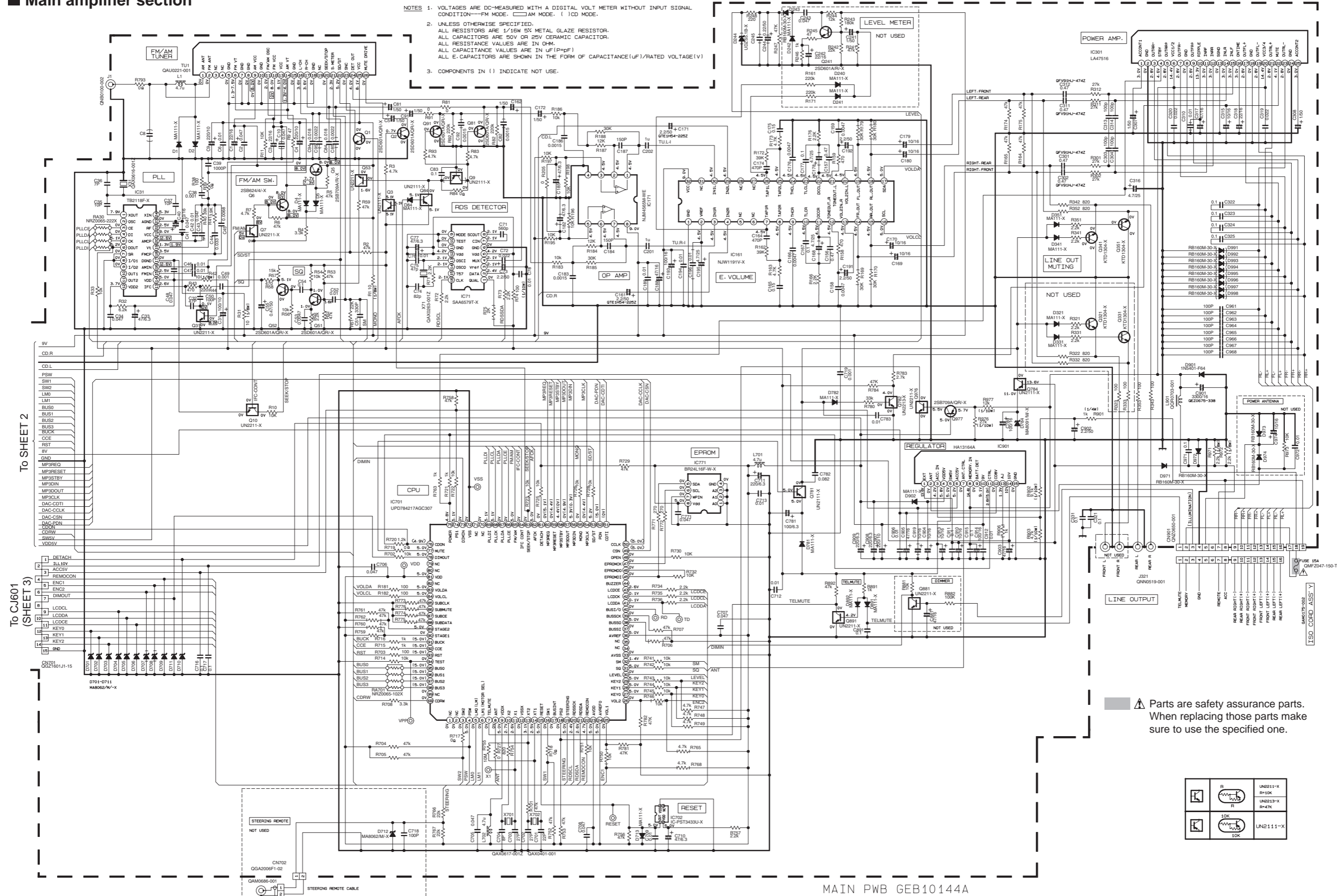
- NOTES
- VOLTAGES ARE DC-MEASURED WITH A DIGITAL VOLT METER WITHOUT INPUT SIGNAL.
 - UNLESS OTHERWISE SPECIFIED, ALL RESISTORS ARE 1/16W METAL GLAZE RESISTORS. ALL CAPACITORS ARE 50V OR 25V CERAMIC CAPACITOR. ALL RESISTANCE VALUES ARE IN OHM. ALL CAPACITANCE VALUES ARE IN uF (P=pF) ALL E. CAPACITORS ARE SHOWN IN THE FORM OF CAPACITANCE(uF)/RATED VOLTAGE(V) T --- TANTALUM CAPACITOR.
 - COMPONENTS IN () INDICATE NOT USE.

MODEL KD-6317EE

Standard schematic diagrams (For KD-G317 EE2 version)

Main amplifier section

- NOTES
1. VOLTAGES ARE DC-MEASURED WITH A DIGITAL VOLT METER WITHOUT INPUT SIGNAL CONDITION---FM MODE. □ AM MODE. () CD MODE.
 2. UNLESS OTHERWISE SPECIFIED.
ALL RESISTORS ARE 1/16W 5% METAL GLAZE RESISTOR.
ALL CAPACITORS ARE 50V OR 25V CERAMIC CAPACITOR.
ALL RESISTANCE VALUES ARE IN OHM.
ALL CAPACITANCE VALUES ARE IN UF(P-PF)
ALL E-CAPACITORS ARE SHOWN IN THE FORM OF CAPACITANCE(UF)/RATED VOLTAGE(V)
 3. COMPONENTS IN () INDICATE NOT USE.



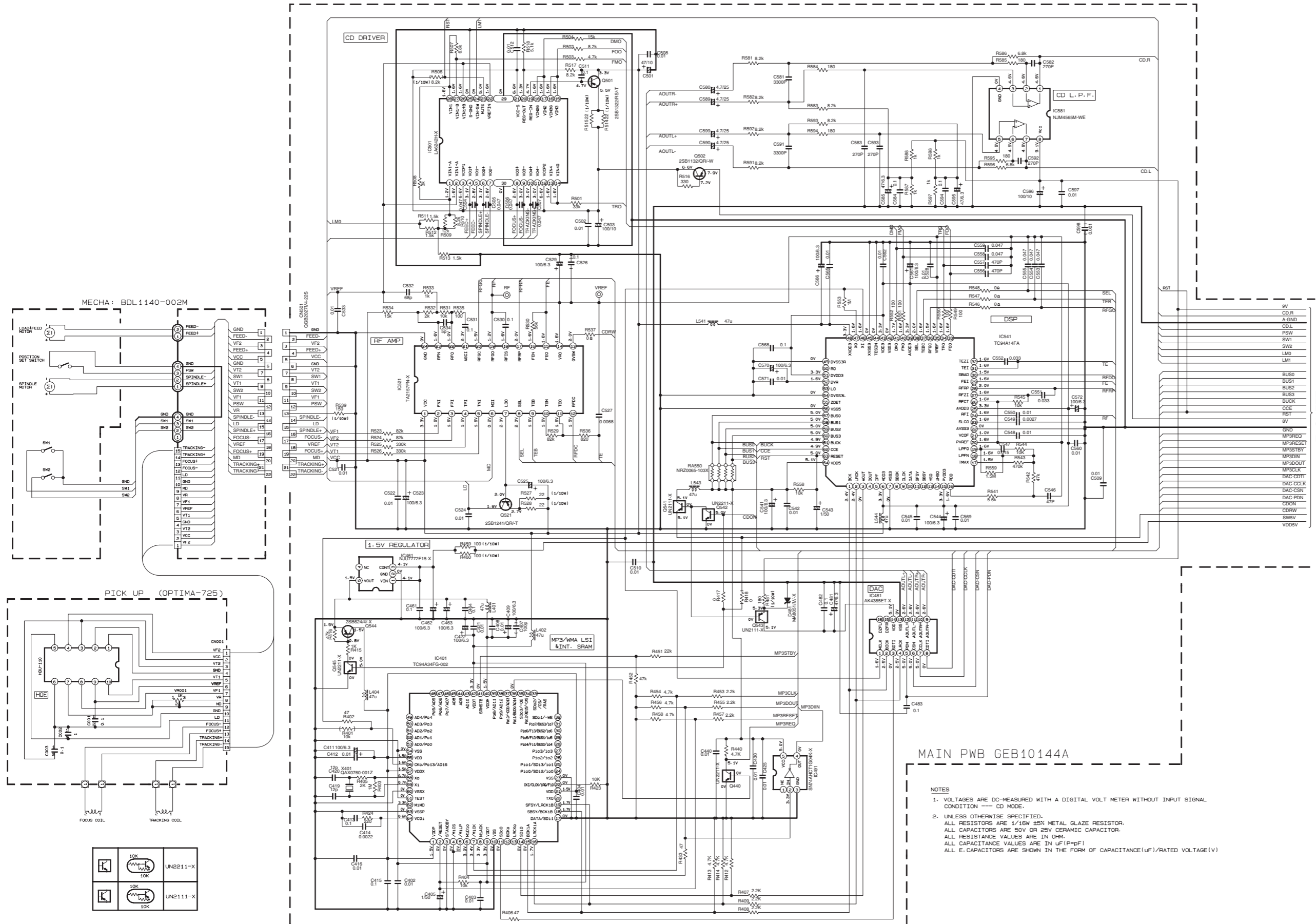
Parts are safety assurance parts. When replacing those parts make sure to use the specified one.

B	UN2211-X	R=10K
R	UN2213-X	R=47K
10K	UN2211-X	
10K	UN2211-X	

MAIN PWB GEB10144A

SHEET 1

■ CD servo control section

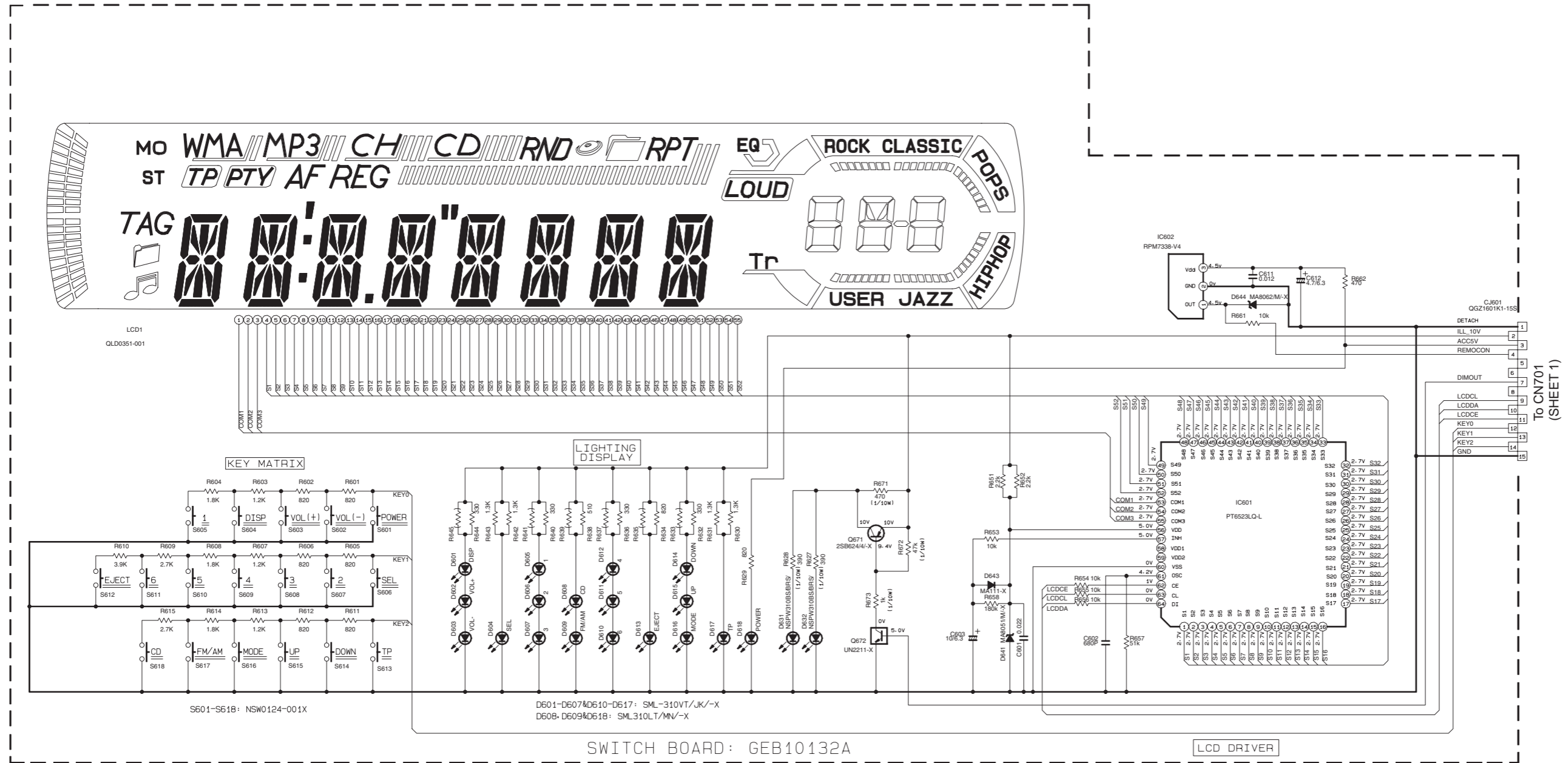


MAIN PWB GEB10144A

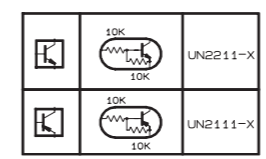
- NOTES
1. VOLTAGES ARE DC-MEASURED WITH A DIGITAL VOLT METER WITHOUT INPUT SIGNAL CONDITION — CD MODE.
 2. UNLESS OTHERWISE SPECIFIED, ALL RESISTORS ARE 1/16W ±5% METAL GLAZE RESISTOR. ALL CAPACITORS ARE 50V OR 25V CERAMIC CAPACITOR. ALL RESISTANCE VALUES ARE IN OHM. ALL CAPACITANCE VALUES ARE IN uF(P=pF) ALL E-CAPACITORS ARE SHOWN IN THE FORM OF CAPACITANCE(uF)/RATED VOLTAGE(V)

	10k	UN2211-X
	10k	UN2211-X

■ LCD & Key control section



FRONT CIRCUIT BOARD SECTION

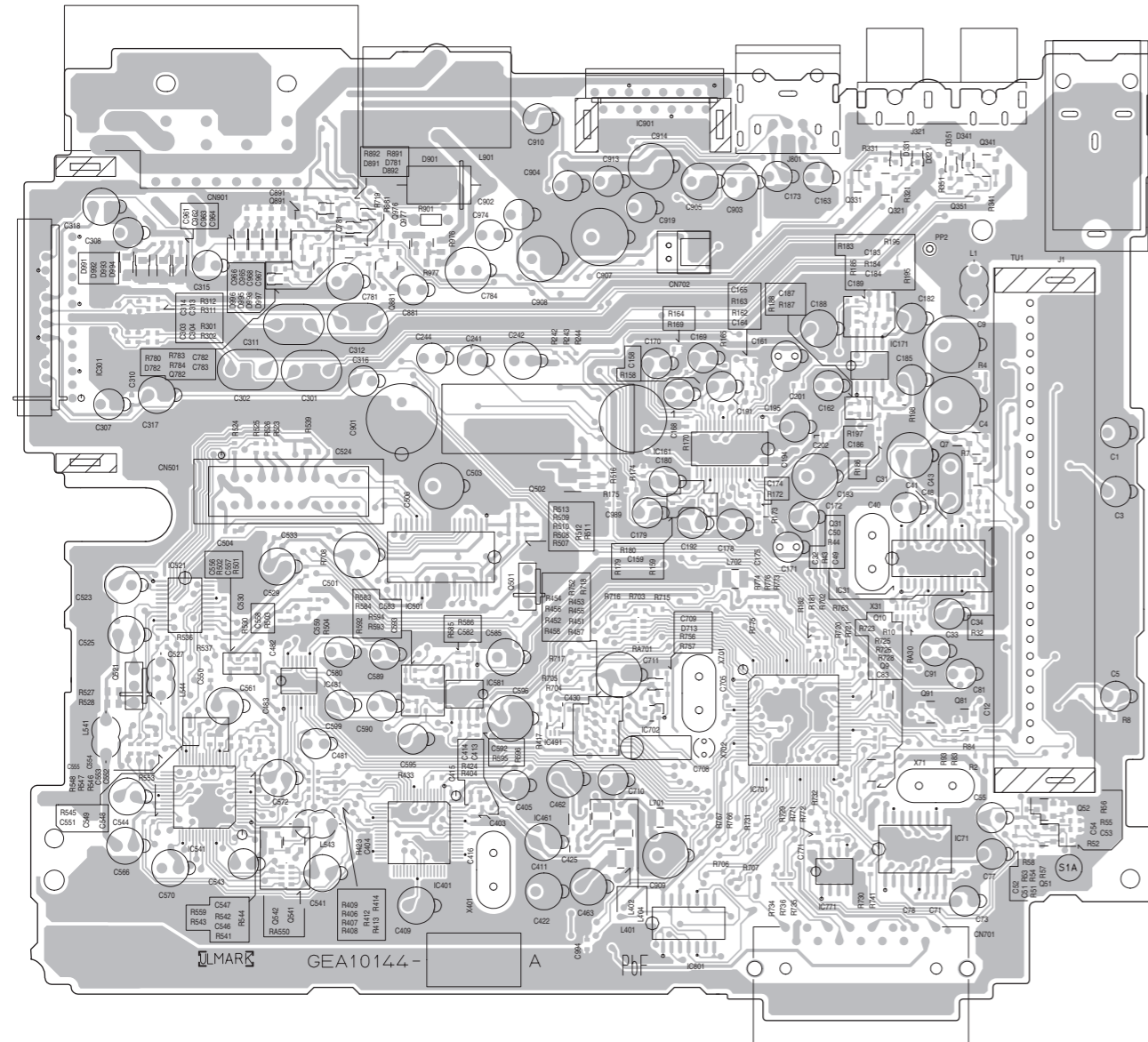


- NOTES
- VOLTAGES ARE DC-MEASURED WITH A DIGITAL VOLT METER WITHOUT INPUT SIGNAL.
 - UNLESS OTHERWISE SPECIFIED, ALL RESISTORS ARE 1/16W METAL GLAZE RESISTORS. ALL CAPACITORS ARE 50V OR 25V CERAMIC CAPACITOR. ALL RESISTANCE VALUES ARE IN OHM. ALL CAPACITANCE VALUES ARE IN uF (P=pF). ALL CAPACITORS ARE SHOWN IN THE FORM OF CAPACITANCE(uF)/RATED VOLTAGE(V). T --- TANTALUM CAPACITOR.
 - COMPONENTS IN () INDICATE NOT USE.

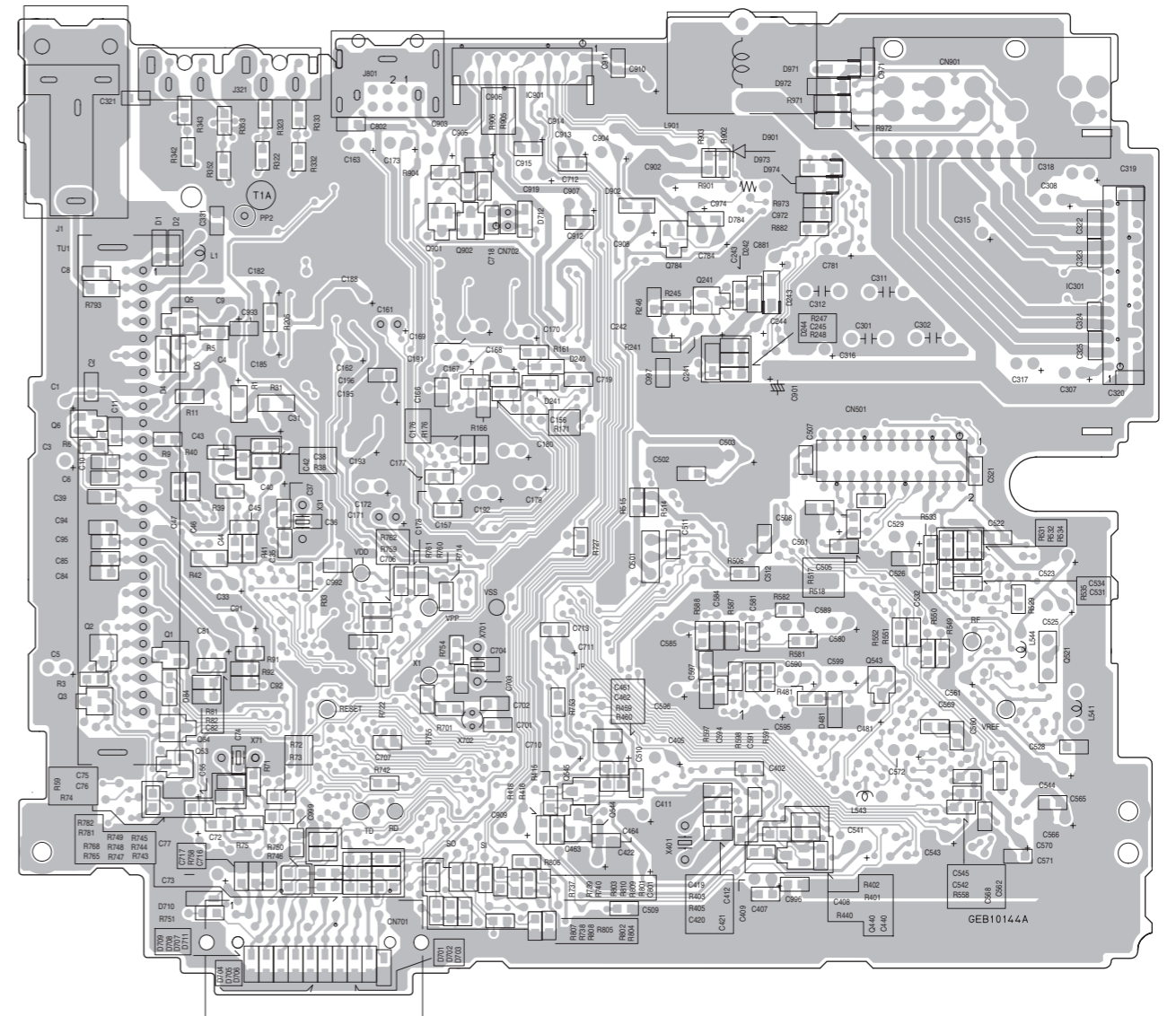
Printed circuit boards (For KD-G317 EE2 version)

■ Main board

Forward side

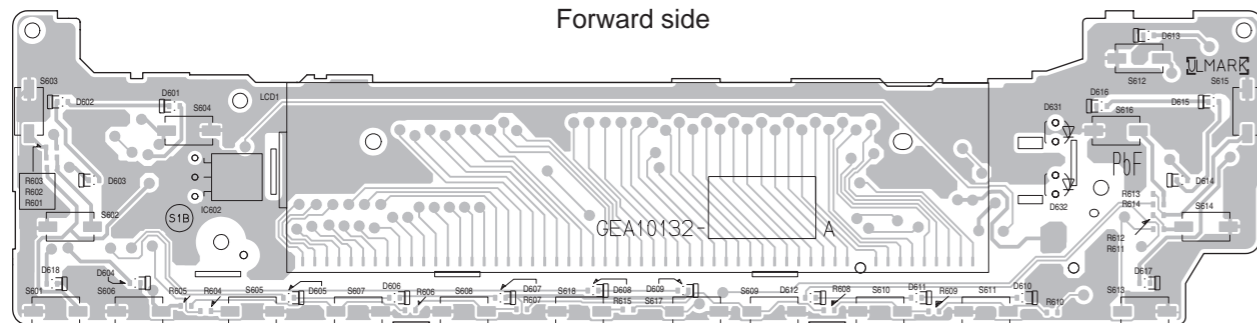


Reverse side

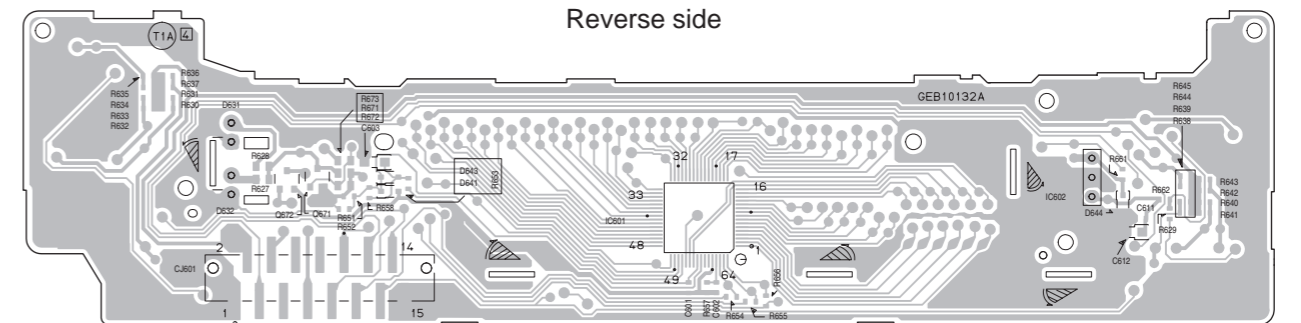


■ Switch board

Forward side



Reverse side



PARTS LIST

[KD-G311] [KD-G312] [KD-G317]

* All printed circuit boards and its assemblies are not available as service parts.

KD-G312 , KD-G311	
Area suffix	
E -----	Southern Europe
EX -----	Northern Europe
EY -----	Eastern Europe
EU -----	Turkey

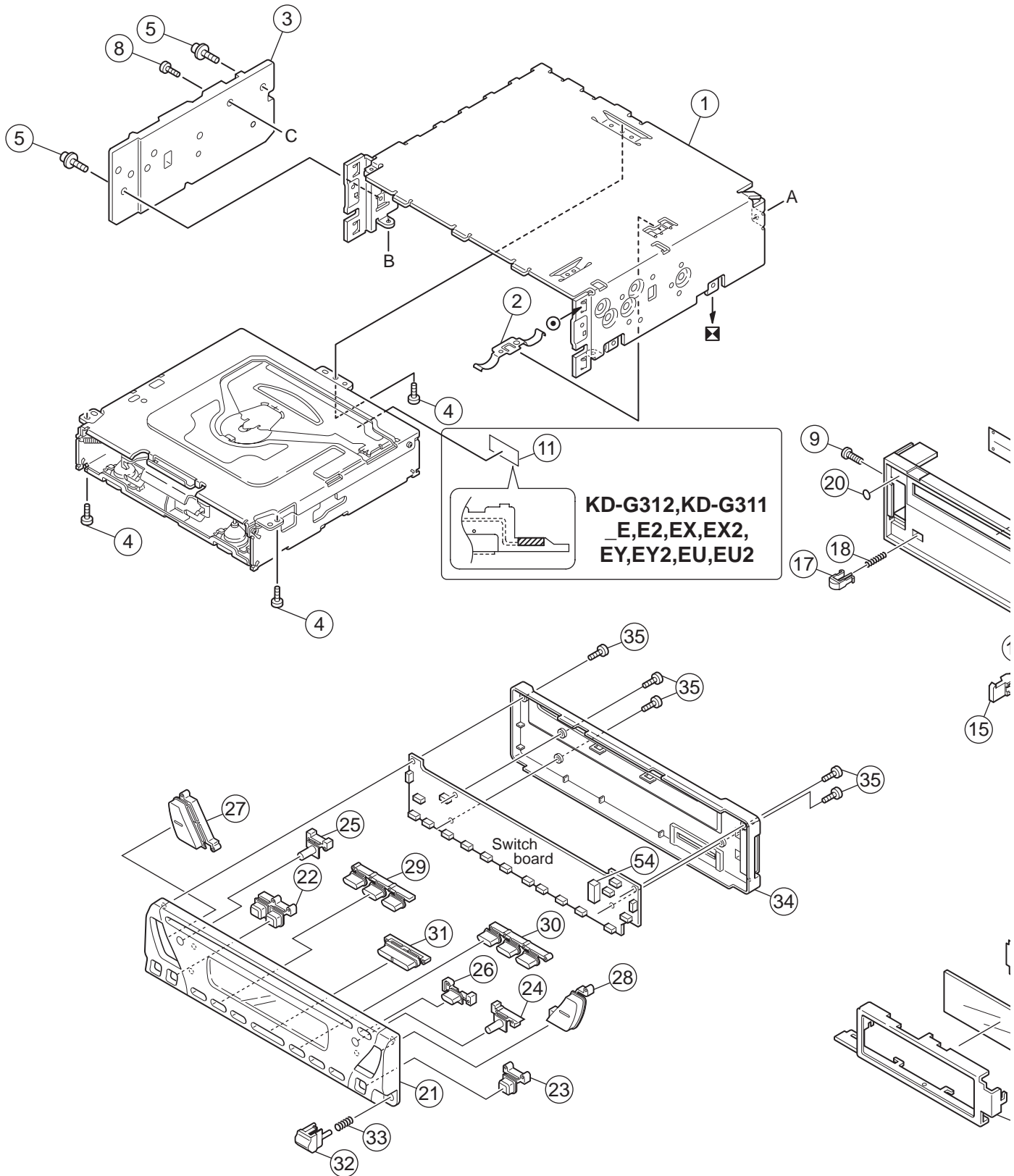
KD-G317	
Area suffix	
EE -----	Russian Federation

- Contents -

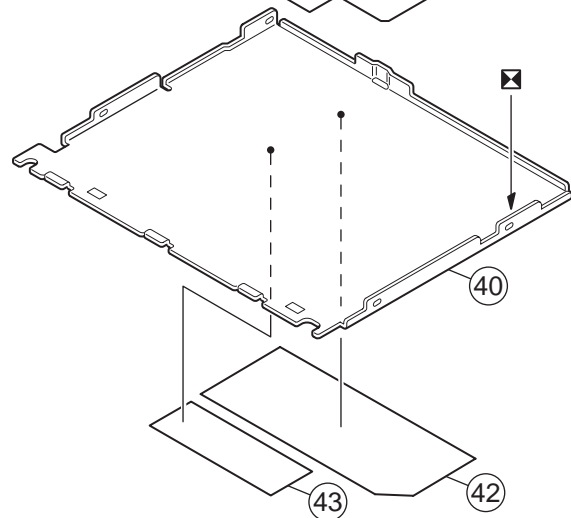
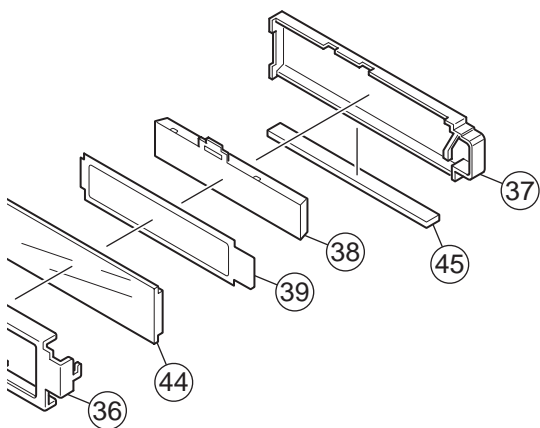
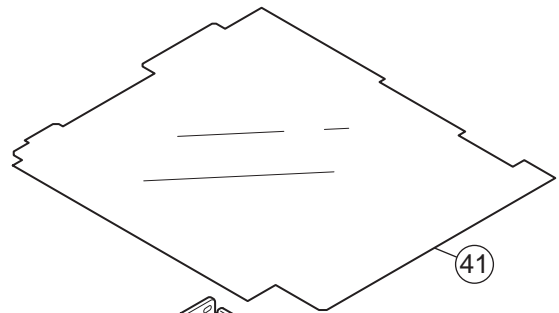
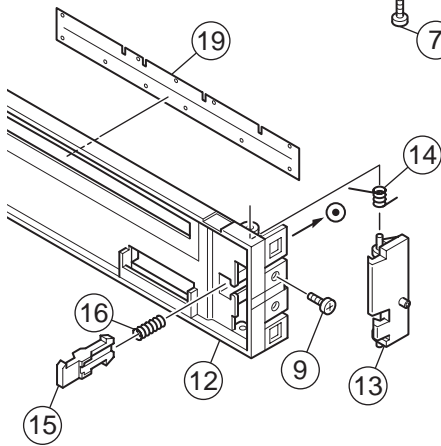
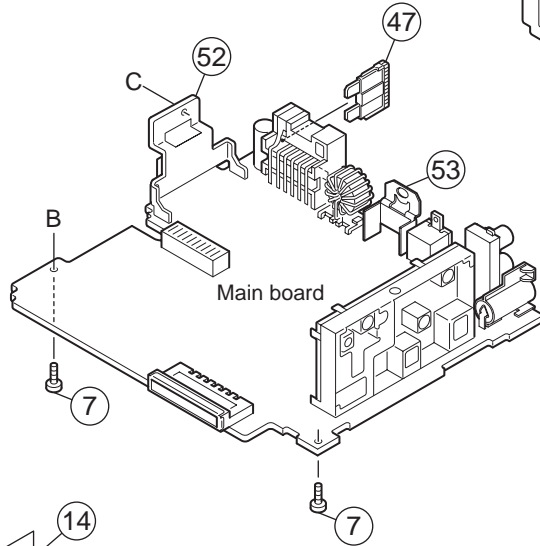
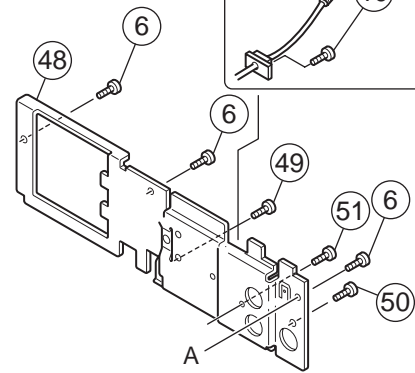
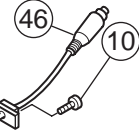
Exploded view of general assembly and parts list (Block No.M1)	3-2
CD mechanism assembly and parts list (Block No.MB)	3-6
Electrical parts list (Block No.01~02) (KD-G311,KD-G312_E,EX,EY,EU)	3-8
Electrical parts list (Block No.03~04) (KD-G311,KD-G312_E2,EX2,EY2,EU2) ..	3-12
Electrical parts list (Block No.05~06) (KD-G317_EE)	3-17
Electrical parts list (Block No.07~08) (KD-G317_EE2)	3-21
Packing materials and accessories parts list (Block No.M3)	3-26

Exploded view of general assembly and parts list

Block No. M 1 M M



**KD-G312, KD-G311
_E, E2, EX, EX2,
EY, EY2, EU, EU2**



General Assembly

Block No. [M][1][M][M]

△	Symbol No.	Part No.	Part Name	Description	Local
	1	GE10104-001A	TOP CHASSIS		
	2	GE40135-001A	EARTH PLATE		
	3	GE30938-003A	SIDE PANEL		
	4	QYSDST2604ZA	TAP SCREW	M2.6 x 4mm(x3)	
	5	GE40235-001A	SCREW	(x2)	
	6	QYSDST2604ZA	TAP SCREW	M2.6 x 4mm(x3)	
	7	GE40235-004A	SCREW	(x2)	
	8	QYSDST2610ZA	TAP SCREW	M2.6 x 10mm	
	9	QYSDST2004ZA	TAP SCREW	M2 x 4mm(x2)	
	10	QYSDST2604ZA	TAP SCREW	M2.6 x 4mm	G311E,G311E2,G311EU,G311EU2,G311E X,G311EX2,G311EY,G311EY2,G312E,G31 2E2,G312EU,G312EU2,G312EX,G312EX2 ,G312EY,G312EY2
	11	FSYH4036-100	SHEET		G311E,G311E2,G311EU,G311EU2,G311E X,G311EX2,G311EY,G311EY2,G312E,G31 2E2,G312EU,G312EU2,G312EX,G312EX2 ,G312EY,G312EY2
	12	GE10103-001A	FRONT CHASSIS		
	13	GE31569-002A	LOCK LEVER		
	14	GE40269-001A	TORSION SPRING		
	15	GE31568-001A	RLS KNOB		
	16	GE40202-011A	COMP.SPRING		
	17	GE40250-001A	PANEL STOPPER		
	18	GE40202-009A	COMP.SPRING		
	19	GE40257-001A	BLIND		
	20	FSYH4036-098	SHEET		
	21	GE20172-011A	FRONT PANEL ASSY		G311E,G311E2,G311EU,G311EU2,G311E X,G311EX2,G311EY,G311EY2
	21	GE20172-018A	FRONT PANEL ASSY		G312E,G312E2,G312EU,G312EU2,G312E X,G312EX2,G312EY,G312EY2
	21	GE20172-010A	FRONT PANEL ASSY		G317EE,G317EE2
	22	GE31561-003A	POWER/SEL BTN		G312E,G312E2,G312EU,G312EU2,G312E X,G312EX2,G312EY,G312EY2
	22	GE31561-001A	POWER/SEL BTN		G311E,G311E2,G311EU,G311EU2,G311E X,G311EX2,G311EY,G311EY2,G317EE,G3 17EE2
	23	GE31572-006A	EQ BUTTON		G312E,G312E2,G312EU,G312EU2,G312E X,G312EX2,G312EY,G312EY2
	23	GE31572-002A	EQ BUTTON		G311E,G311E2,G311EU,G311EU2,G311E X,G311EX2,G311EY,G311EY2,G317EE,G3 17EE2
	24	GE31562-001A	MODE BUTTON		
	25	GE31563-001A	DISP BUTTON		
	26	GE31564-001A	EJECT BUTTON		
	27	GE31560-002A	VOL BUTTON		G311E,G311E2,G311EU,G311EU2,G311E X,G311EX2,G311EY,G311EY2
	27	GE31560-007A	VOL BUTTON		G312E,G312E2,G312EU,G312EU2,G312E X,G312EX2,G312EY,G312EY2
	27	GE31560-003A	VOL BUTTON		G317EE,G317EE2
	28	GE31559-002A	SEARCH BUTTON		G311E,G311E2,G311EU,G311EU2,G311E X,G311EX2,G311EY,G311EY2
	28	GE31559-007A	SEARCH BUTTON		G312E,G312E2,G312EU,G312EU2,G312E X,G312EX2,G312EY,G312EY2
	28	GE31559-003A	SEARCH BUTTON		G317EE,G317EE2
	29	GE31555-001A	PRESET BTN (L)		
	30	GE31556-001A	PRESET BTN (R)		
	31	GE31557-007A	D.FUNC BUTTON		G312E,G312E2,G312EU,G312EU2,G312E X,G312EX2,G312EY,G312EY2
	31	GE31557-001A	D FUNCT BUTTON		G311E,G311E2,G311EU,G311EU2,G311E X,G311EX2,G311EY,G311EY2,G317EE,G3 17EE2
	32	GE31558-001A	DETACH BUTTON		G311E,G311E2,G311EU,G311EU2,G311E X,G311EX2,G311EY,G311EY2
	32	GE31558-003A	DETACH BUTTON		G312E,G312E2,G312EU,G312EU2,G312E X,G312EX2,G312EY,G312EY2,G317EE,G 317EE2
	33	GE40202-010A	COMP.SPRING		
	34	GE10102-001A	REAR COVER		
	35	VKZ4777-010	MINI SCREW	(x5)	
	36	GE31565-001A	LCD CASE		
	37	GE31566-001A	LENS CASE		
	38	GE31567-001A	LCD LENS		
	39	GE40248-001A	LIGHTING SHEET		
	40	GE31570-001A	BOTTOM COVER		
	41	FSMA3004-203	INSULATOR		
	42	GE31440-001A	NAME PLATE		G311E,G311EU,G311EX,G311EY
	42	GE31440-002A	NAME PLATE		G311E2,G311EU2,G311EX2,G311EY2

△	Symbol No.	Part No.	Part Name	Description	Local
	42	GE31687-001A	NAME PLATE		G312E,G312EU,G312EX,G312EY
	42	GE31687-002A	NAME PLATE		G312E2,G312EU2,G312EX2,G312EY2
	42	GE31443-001A	NAME PLATE		G317EE
	42	GE31443-002A	NAME PLATE		G317EE2
	43	LV41843-002A	LASER CAUTION		
	44	QLD0351-001	LCD MODULE		
	45	QNZ0442-001	LCD CONNECTOR		
	46	QAM0686-001	STEERING REMOTE		G311E,G311E2,G311EU,G311EU2,G311EX,G311EX2,G311EY,G311EY2,G312E,G312E2,G312EU,G312EU2,G312EX,G312EX2,G312EY,G312EY2
△	47	QMFZ047-150-T	FUSE	15A	
	48	GE31571-006A	REAR BRACKET		
	49	QYSDST2606ZA	TAP SCREW	M2.6 x 6mm	
	50	QYSDST2606ZA	TAP SCREW	M2.6 x 6mm	
	51	QYSDSF2606ZA	TAP SCREW	M2.6 x 6mm	
	52	GE40172-004A	IC BRACKET		
	53	GE40124-002A	REG BRACKET		
	54	GE30854-001A	LED HOLDER		

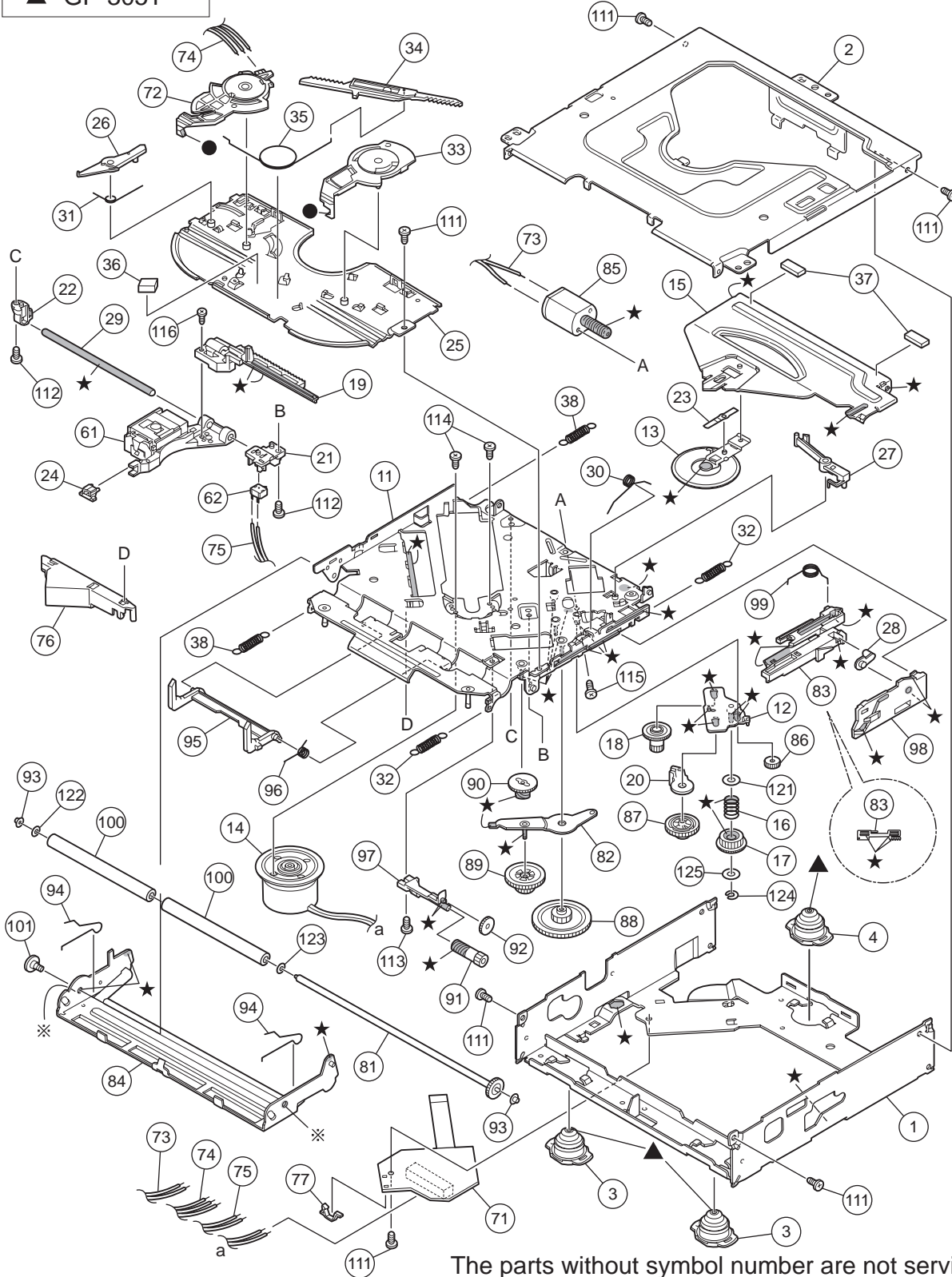
CD mechanism assembly and parts list

Block No. **M** **B** **M** **M**

Grease

- ★ TNG-87
- ※ GP-501MK
- CFD-005Z
- ▲ GP-305T

TN-2001-1011



The parts without symbol number are not service.

CD mechanism

Block No. [M][B][M][M]

△	Symbol No.	Part No.	Part Name	Description	Local
	1	30320101T	FRAME		
	2	30320102T	TOP COVER		
	3	30320115T	DANPER F		
	4	30320116T	DANPER R		
	11	303205505T	CHASSIS RIVET		
	12	303205503T	CHANGE P. RVT A		
	13	303205301T	CLAMPER ASS'Y		
	14	303205302T	SPINDLE MOTOR A		
	15	30320502T	CLAMPER ARM		
	16	30320503T	CHANGE GEAR SPG		
	17	30320505T	CHANGE GEAR 2		
	18	30320506T	FEED GEAR		
	19	30320507T	FEED RACK		
	20	30320509T	CHANGE LOCK RAR		
	21	30320510T	FEED SW HOLDER		
	22	30320511T	PU SHAFT HOLDER		
	23	30320513T	CLAMPER SUB SPG		
	24	30320514T	FD SUB HOLDER		
	25	30320518T	TOP PLATE		
	26	30320519T	SELECT LOCK ARM		
	27	30320520T	TRIGGER ARM		
	28	30320521T	SLIDE HOOK		
	29	30320522T	PU SHAFT		
	30	30320525T	CLAMPER ARM SPG		
	31	30320526T	SELECT L ARM SP		
	32	30320538T	SUSPENSION SP R		
	33	30320529T	SELECT ARM R		
	34	30320530T	LINK PLATE		
	35	30320531T	LINK PLATE SPG		
	36	30320523T	CUSHION F		
	37	30320524T	CUSHION R		
	38	30320539T	SUSPENSION SP L		
	61	69011614T	PICKUP OPT-725		
	62	64180406T	DET SW ESE22		
	71	303210301T	CONN PWB ASS'Y		
	72	30321002T	MODE SW		
	73	30321003T	LOAD MOTOR WIRE		
	74	30321005T	MODE SW WIRE		
	75	30321009T	SL WIRE		
	76	30321011T	WIRE HOLDER		
	77	19501403T	WIRE CLUMPER		
	81	303211301T	ROLLER SHAFT AS		
	82	303211501T	L GEAR PLATE RV		
	83	303211302T	LOADING PLATE A		
	84	303211502T	LOCK ARM RV ASS		
	85	303211303T	L/F MOTOR ASS'Y		
	86	30321101T	LOADING GEAR 1		
	87	30321102T	LOADING GEAR 2		
	88	30321103T	LOADING GEAR 3		
	89	30321104T	LOADING GEAR 4		
	90	30321105T	LOADING GEAR 5		
	91	30321106T	LOADING GEAR 6		
	92	30321107T	LOADING GEAR 7		
	93	30321149T	ROLLER GUIDE		
	94	30321114T	ROLLER GUIDE SP		
	95	30321116T	DISC STOPPER AR		
	96	30321117T	DISC ST ARM SPG		
	97	30321118T	LD GEAR BRACKET		
	98	30321125T	L SIDE PLATE		
	99	30321131T	LOAD PLATE SPG		
	100	30321133T	LDG ROLLER		
	101	18211223T	COLLAR SCREW		
	111	9P0420031T	SCREW		
	112	9P0420041T	TAP.SCREW		
	113	9B0320041T	SCREW		
	114	9C0117183T	SCREW		
	115	9C0120203T	SCREW		
	116	9C0317503T	SCREW		
	121	9W0130170T	PW 3.5X8X0.3		
	122	9W0513060T	HL WASHER		
	123	9W0710070T	L WASHER		
	124	9E0100152T	E RING		
	125	9W0113020T	PW 2.1X4X0.13		

Electrical parts list

Main board

(KD-G311,KD-G312_E,EX,EY,EU)

Block No. [0][1]

Symbol No.	Part No.	Part Name	Description	Local
IC31	TB2118F-X	PLL IC		
IC71	LC72725M-X	IC		
IC161	NJW1191V-X	IC		
IC171	NJM4565M-WE	IC		
IC301	LA47516	POWER IC		
IC401	TC94A34FG-002	IC		
IC461	NJU772F15-X	IC		
IC481	AK4385ET-X	IC		
IC491	SN74AHCT1G04K-X	IC		
IC501	LA6242H-X	IC		
IC521	TA2157FN-X	RF AMP IC		
IC541	TC94A14FA	CD LSI IC		
IC581	NJM4565M-WE	IC		
IC701	UPD784217AGC307	IC		
IC702	IC-PST3433U-X	IC		
IC771	BR24L16F-W-X	IC		
IC901	HA13164A	IC		
Q1	2SD601A/QR/-X	TRANSISTOR		
Q2	2SD601A/QR/-X	TRANSISTOR		
Q3	UN2111-X	TRANSISTOR		
Q5	2SB709A/R/-X	TRANSISTOR		
Q6	2SB624/4/-X	TRANSISTOR		
Q7	UN2211-X	TRANSISTOR		
Q10	UN2211-X	TRANSISTOR		
Q31	UN2211-X	TRANSISTOR		
Q51	2SD601A/QR/-X	TRANSISTOR		
Q52	2SD601A/QR/-X	TRANSISTOR		
Q53	UN2211-X	TRANSISTOR		
Q81	2SD601A/QR/-X	TRANSISTOR		
Q84	UN2111-X	TRANSISTOR		
Q91	2SD601A/QR/-X	TRANSISTOR		
Q341	KTD1304-X	TRANSISTOR		
Q351	KTD1304-X	TRANSISTOR		
Q440	UN2211-X	TRANSISTOR		
Q501	2SB1322/RS/-T	TRANSISTOR		
Q502	2SB1132/QR/-W	TRANSISTOR		
Q521	2SB1241/QR/-T	TRANSISTOR		
Q541	UN2111-X	TRANSISTOR		
Q542	UN2211-X	TRANSISTOR		
Q543	UN2111-X	TRANSISTOR		
Q544	2SB624/4/-X	TRANSISTOR		
Q545	UN2211-X	TRANSISTOR		
Q781	UN2111-X	TRANSISTOR		
Q782	UN2213-X	DIGI TRANSISTOR		
Q784	UN2111-X	TRANSISTOR		
Q891	UN2211-X	TRANSISTOR		
Q976	UN2211-X	TRANSISTOR		
Q977	2SB709A/QR/-X	TRANSISTOR		
D1	MA111-X	SI DIODE		
D2	MA111-X	SI DIODE		
D4	MA111-X	SI DIODE		
D5	MA111-X	SI DIODE		
D84	MA111-X	SI DIODE		
D341	MA111-X	SI DIODE		
D351	MA111-X	SI DIODE		
D481	MA8051/M/-X	Z DIODE		
D701	MA8062/M/-X	Z DIODE		
D702	MA8062/M/-X	Z DIODE		
D703	MA8062/M/-X	Z DIODE		
D704	MA8062/M/-X	Z DIODE		
D705	MA8062/M/-X	Z DIODE		
D706	MA8062/M/-X	Z DIODE		
D709	MA8062/M/-X	Z DIODE		
D710	MA8062/M/-X	Z DIODE		
D711	MA8062/M/-X	Z DIODE		
D712	MA8062/M/-X	Z DIODE		
D713	MA111-X	SI DIODE		
D781	MA111-X	SI DIODE		

Symbol No.	Part No.	Part Name	Description	Local
D782	MA111-X	SI DIODE		
D784	MA8091/M/-X	Z DIODE		
D891	MA111-X	SI DIODE		
D892	MA111-X	SI DIODE		
D901	1N5401-F64	DIODE		
D902	MA111-X	SI DIODE		
D971	RB160M-30-X	SB DIODE		
D972	RB160M-30-X	SB DIODE		
C1	QEKJ1CM-226Z	E CAPACITOR	22uF 16V M	
C2	NCB31EK-473X	C CAPACITOR	0.047uF 25V K	
C3	QEKJ1CM-226Z	E CAPACITOR	22uF 16V M	
C4	QEKJ1AM-227Z	E CAPACITOR	220uF 10V M	
C5	QEKJ1HM-105Z	E CAPACITOR	1uF 50V M	
C6	NCB31HK-103X	C CAPACITOR	0.01uF 50V K	
C9	QEKJ1AM-227Z	E CAPACITOR	220uF 10V M	
C31	QEKJ1AM-107Z	E CAPACITOR	100uF 10V M	
C32	NDC31HJ-470X	C CAPACITOR	47pF 50V J	
C33	QEKJ0JM-476Z	E CAPACITOR	47uF 6.3V M	
C34	NCB31EK-473X	C CAPACITOR	0.047uF 25V K	
C35	NDC31HJ-100X	C CAPACITOR	10pF 50V J	
C36	NDC31HJ-7R0X	C CAPACITOR	7pF 50V J	
C37	NDC31HJ-100X	C CAPACITOR	10pF 50V J	
C38	NCB31HK-102X	C CAPACITOR	1000pF 50V K	
C39	NCB31HK-102X	C CAPACITOR	1000pF 50V K	
C40	QEKJ1CM-106Z	E CAPACITOR	10uF 16V M	
C41	NCB31EK-473X	C CAPACITOR	0.047uF 25V K	
C42	NCB31HK-103X	C CAPACITOR	0.01uF 50V K	
C43	QFV61HJ-473Z	MF CAPACITOR	0.047uF 50V J	
C44	NCB31HK-103X	C CAPACITOR	0.01uF 50V K	
C45	NCB31HK-272X	C CAPACITOR	2700pF 50V K	
C46	NCB31HK-103X	C CAPACITOR	0.01uF 50V K	
C47	NCB31HK-103X	C CAPACITOR	0.01uF 50V K	
C48	NCB31EK-473X	C CAPACITOR	0.047uF 25V K	
C49	NCB31HK-102X	C CAPACITOR	1000pF 50V K	
C50	NDC31HJ-101X	C CAPACITOR	100pF 50V J	
C51	NDC31HJ-331X	C CAPACITOR	330pF 50V J	
C52	NCB31HK-103X	C CAPACITOR	0.01uF 50V K	
C53	NCB31EK-472X	C CAPACITOR	4700pF 25V K	
C54	NCB31EK-104X	C CAPACITOR	0.1uF 25V K	
C55	QEKJ1HM-474Z	E CAPACITOR	0.47uF 50V M	
C71	NDC31HJ-561X	C CAPACITOR	560pF 50V J	
C72	NDC31HJ-331X	C CAPACITOR	330pF 50V J	
C73	QEKJ1CM-106Z	E CAPACITOR	10uF 16V M	
C74	NDC31HJ-820X	C CAPACITOR	82pF 50V J	
C75	NDC31HJ-470X	C CAPACITOR	47pF 50V J	
C76	NCB31HK-103X	C CAPACITOR	0.01uF 50V K	
C77	QEKJ0JM-476Z	E CAPACITOR	47uF 6.3V M	
C78	NCB31HK-103X	C CAPACITOR	0.01uF 50V K	
C81	QEKJ1HM-105Z	E CAPACITOR	1uF 50V M	
C83	NCB31EK-104X	C CAPACITOR	0.1uF 25V K	
C84	NCB31HK-183X	C CAPACITOR	0.018uF 50V K	
C91	QEKJ1HM-105Z	E CAPACITOR	1uF 50V M	
C94	NCB31HK-183X	C CAPACITOR	0.018uF 50V K	
C156	NCB21CK-474X	C CAPACITOR	0.47uF 16V K	
C157	NCB21CK-474X	C CAPACITOR	0.47uF 16V K	
C158	NCB31HK-472X	C CAPACITOR	4700pF 50V K	
C159	NCB31HK-472X	C CAPACITOR	4700pF 50V K	
C161	QTE1H54-225Z	E CAPACITOR	2.2uF 50V	
C162	QEKJ1HM-105Z	E CAPACITOR	1uF 50V M	
C164	NCB31HK-471X	C CAPACITOR	470pF 50V K	
C165	NCB31AK-154X	C CAPACITOR	0.15uF 10V K	
C166	NCB31HK-472X	C CAPACITOR	4700pF 50V K	
C167	NCB31CK-104X	C CAPACITOR	0.1uF 16V K	
C169	QEKJ1CM-106Z	E CAPACITOR	10uF 16V M	
C170	QEKJ1CM-106Z	E CAPACITOR	10uF 16V M	
C171	QTE1H54-225Z	E CAPACITOR	2.2uF 50V	
C172	QEKJ1HM-105Z	E CAPACITOR	1uF 50V M	
C174	NCB31HK-471X	C CAPACITOR	470pF 50V K	
C175	NCB31AK-154X	C CAPACITOR	0.15uF 10V K	
C176	NCB31HK-472X	C CAPACITOR	4700pF 50V K	
C177	NCB31CK-104X	C CAPACITOR	0.1uF 16V K	
C179	QEKJ1CM-106Z	E CAPACITOR	10uF 16V M	
C180	QEKJ1CM-106Z	E CAPACITOR	10uF 16V M	
C183	NCB31HK-152X	C CAPACITOR	1500pF 50V K	
C184	NDC31HJ-151X	C CAPACITOR	150pF 50V J	

△ Symbol No.	Part No.	Part Name	Description	Local	△ Symbol No.	Part No.	Part Name	Description	Local
C185	QEKJ0JM-476Z	E CAPACITOR	47uF 6.3V M		C530	NCB31EK-104X	C CAPACITOR	0.1uF 25V K	
C186	NCB31HK-152X	C CAPACITOR	1500pF 50V K		C531	NCB31EK-104X	C CAPACITOR	0.1uF 25V K	
C187	NDC31HJ-151X	C CAPACITOR	150pF 50V J		C532	NDC31HJ-680X	C CAPACITOR	68pF 50V J	
C188	QEKJ1CM-476Z	E CAPACITOR	47uF 16V M		C533	NCB31HK-103X	C CAPACITOR	0.01uF 50V K	
C189	NCB31EK-103X	C CAPACITOR	0.01uF 25V K		C534	NDC31HJ-5R0X	C CAPACITOR	5pF 50V J	
C191	QEKJ1HM-225Z	E CAPACITOR	2.2uF 50V M		C541	QEKJ0JM-107Z	E CAPACITOR	100uF 6.3V M	
C192	QEKJ1HM-225Z	E CAPACITOR	2.2uF 50V M		C542	NCB31HK-103X	C CAPACITOR	0.01uF 50V K	
C193	QEKJ1CM-107Z	E CAPACITOR	100uF 16V M		C543	QEKJ1HM-105Z	E CAPACITOR	1uF 50V M	
C194	NCB31EK-103X	C CAPACITOR	0.01uF 25V K		C544	QEKJ0JM-107Z	E CAPACITOR	100uF 6.3V M	
C195	QEKJ1EM-475Z	E CAPACITOR	4.7uF 25V M		C545	NCB31HK-103X	C CAPACITOR	0.01uF 50V K	
C301	QFV91HJ-474Z	MF CAPACITOR	0.47uF 50V J		C546	NDC31HJ-470X	C CAPACITOR	47pF 50V J	
C302	QFV91HJ-474Z	MF CAPACITOR	0.47uF 50V J		C547	NCB31HK-153X	C CAPACITOR	0.015uF 50V K	
C303	NDC31HJ-101X	C CAPACITOR	100pF 50V J		C548	NCB31HK-103X	C CAPACITOR	0.01uF 50V K	
C304	NDC31HJ-101X	C CAPACITOR	100pF 50V J		C549	NCB31HK-272X	C CAPACITOR	2700pF 50V K	
C307	QEKJ1HM-105Z	E CAPACITOR	1uF 50V M		C550	NCB31HK-103X	C CAPACITOR	0.01uF 50V K	
C308	QEKJ1HM-105Z	E CAPACITOR	1uF 50V M		C551	NCB31EK-333X	C CAPACITOR	0.033uF 25V K	
C311	QFV91HJ-474Z	MF CAPACITOR	0.47uF 50V J		C552	NCB31EK-333X	C CAPACITOR	0.033uF 25V K	
C312	QFV91HJ-474Z	MF CAPACITOR	0.47uF 50V J		C553	NCB31EK-473X	C CAPACITOR	0.047uF 25V K	
C313	NDC31HJ-101X	C CAPACITOR	100pF 50V J		C554	NCB31EK-473X	C CAPACITOR	0.047uF 25V K	
C314	NDC31HJ-101X	C CAPACITOR	100pF 50V J		C555	NCB31EK-473X	C CAPACITOR	0.047uF 25V K	
C315	QEKJ1CM-106Z	E CAPACITOR	10uF 16V M		C556	NCB31HK-471X	C CAPACITOR	470pF 50V K	
C316	QEKJ1EM-475Z	E CAPACITOR	4.7uF 25V M		C557	NCB31HK-471X	C CAPACITOR	470pF 50V K	
C317	QEKJ1CM-476Z	E CAPACITOR	47uF 16V M		C558	NCB31EK-473X	C CAPACITOR	0.047uF 25V K	
C318	QEDJ1CM-226Z	E CAPACITOR	22uF 16V M		C559	NCB31EK-473X	C CAPACITOR	0.047uF 25V K	
C319	NCB31EK-223X	C CAPACITOR	0.022uF 25V K		C560	NCB31HK-103X	C CAPACITOR	0.01uF 50V K	
C320	NCB31EK-223X	C CAPACITOR	0.022uF 25V K		C561	QEKJ0JM-107Z	E CAPACITOR	100uF 6.3V M	
C321	NCB31CK-104X	C CAPACITOR	0.1uF 16V K		C562	NCB31HK-103X	C CAPACITOR	0.01uF 50V K	
C322	NCB31EK-104X	C CAPACITOR	0.1uF 25V K		C565	NCB31HK-103X	C CAPACITOR	0.01uF 50V K	
C323	NCB31EK-104X	C CAPACITOR	0.1uF 25V K		C566	QEKJ0JM-107Z	E CAPACITOR	100uF 6.3V M	
C324	NCB31EK-104X	C CAPACITOR	0.1uF 25V K		C568	NCB31EK-104X	C CAPACITOR	0.1uF 25V K	
C325	NCB31EK-104X	C CAPACITOR	0.1uF 25V K		C569	NCB31HK-103X	C CAPACITOR	0.01uF 50V K	
C331	NCB31CK-104X	C CAPACITOR	0.1uF 16V K		C570	QEKJ0JM-107Z	E CAPACITOR	100uF 6.3V M	
C402	NCB31HK-103X	C CAPACITOR	0.01uF 50V K		C571	NCB31HK-103X	C CAPACITOR	0.01uF 50V K	
C403	NCB31HK-103X	C CAPACITOR	0.01uF 50V K		C572	QEKJ0JM-107Z	E CAPACITOR	100uF 6.3V M	
C404	NCB31HK-103X	C CAPACITOR	0.01uF 50V K		C580	QEKJ1EM-475Z	E CAPACITOR	4.7uF 25V M	
C405	QEKJ1HM-105Z	E CAPACITOR	1uF 50V M		C581	NCB31HK-332X	C CAPACITOR	3300pF 50V K	
C408	NCB31HK-103X	C CAPACITOR	0.01uF 50V K		C582	NDC31HJ-271X	C CAPACITOR	270pF 50V J	
C409	QEKJ0JM-107Z	E CAPACITOR	100uF 6.3V M		C583	NDC31HJ-271X	C CAPACITOR	270pF 50V J	
C411	QEKJ0JM-107Z	E CAPACITOR	100uF 6.3V M		C584	NCB31EK-104X	C CAPACITOR	0.1uF 25V K	
C412	NCB31HK-103X	C CAPACITOR	0.01uF 50V K		C585	QERF0JM-476Z	E CAPACITOR	47uF 6.3V M	
C413	NCB31CK-104X	C CAPACITOR	0.1uF 16V K		C589	QEKJ1EM-475Z	E CAPACITOR	4.7uF 25V M	
C414	NCB31HK-222X	C CAPACITOR	2200pF 50V K		C590	QEKJ1EM-475Z	E CAPACITOR	4.7uF 25V M	
C415	NCB31CK-104X	C CAPACITOR	0.1uF 16V K		C591	NCB31HK-332X	C CAPACITOR	3300pF 50V K	
C416	NCB31HK-103X	C CAPACITOR	0.01uF 50V K		C592	NDC31HJ-271X	C CAPACITOR	270pF 50V J	
C419	NDC31HJ-120X	C CAPACITOR	12pF 50V J		C593	NDC31HJ-271X	C CAPACITOR	270pF 50V J	
C420	NDC31HJ-120X	C CAPACITOR	12pF 50V J		C594	NCB31EK-104X	C CAPACITOR	0.1uF 25V K	
C421	NCB31HK-103X	C CAPACITOR	0.01uF 50V K		C595	QEKJ0JM-476Z	E CAPACITOR	47uF 6.3V M	
C422	QEKJ0JM-107Z	E CAPACITOR	100uF 6.3V M		C596	QEKJ1AM-107Z	E CAPACITOR	100uF 10V M	
C425	NCB31HK-103X	C CAPACITOR	0.01uF 50V K		C597	NCB31HK-103X	C CAPACITOR	0.01uF 50V K	
C430	NCB31HK-103X	C CAPACITOR	0.01uF 50V K		C599	QEKJ1EM-475Z	E CAPACITOR	4.7uF 25V M	
C440	NCB31HK-103X	C CAPACITOR	0.01uF 50V K		C701	NDC31HJ-220X	C CAPACITOR	22pF 50V J	
C461	NCB31EK-104X	C CAPACITOR	0.1uF 25V K		C702	NDC31HJ-270X	C CAPACITOR	27pF 50V J	
C462	QEKJ0JM-107Z	E CAPACITOR	100uF 6.3V M		C703	NDC31HJ-270X	C CAPACITOR	27pF 50V J	
C463	QEKJ0JM-107Z	E CAPACITOR	100uF 6.3V M		C704	NDC31HJ-8R0X	C CAPACITOR	8pF 50V J	
C464	NCB31EK-104X	C CAPACITOR	0.1uF 25V K		C705	NCB31EK-473X	C CAPACITOR	0.047uF 25V K	
C481	QEKJ0JM-476Z	E CAPACITOR	47uF 6.3V M		C706	NCB31EK-473X	C CAPACITOR	0.047uF 25V K	
C482	NCB31EK-104X	C CAPACITOR	0.1uF 25V K		C707	NCB31EK-473X	C CAPACITOR	0.047uF 25V K	
C483	NCB31EK-104X	C CAPACITOR	0.1uF 25V K		C708	NCB31EK-473X	C CAPACITOR	0.047uF 25V K	
C501	QEDJ1AM-476Z	E CAPACITOR	47uF 10V M		C709	NCB31HK-103X	C CAPACITOR	0.01uF 50V K	
C502	NCB31HK-103X	C CAPACITOR	0.01uF 50V K		C710	QEKJ0JM-476Z	E CAPACITOR	47uF 6.3V M	
C503	QEKJ1AM-107Z	E CAPACITOR	100uF 10V M		C711	QEKJ0JM-227Z	E CAPACITOR	220uF 6.3V M	
C504	NCB31EK-473X	C CAPACITOR	0.047uF 25V K		C712	NCB31HK-103X	C CAPACITOR	0.01uF 50V K	
C505	NCB31EK-473X	C CAPACITOR	0.047uF 25V K		C713	NCB31EK-103X	C CAPACITOR	0.01uF 25V K	
C506	NCB31EK-473X	C CAPACITOR	0.047uF 25V K		C716	NCB31EK-104X	C CAPACITOR	0.1uF 25V K	
C507	NCB31EK-473X	C CAPACITOR	0.047uF 25V K		C717	NCB31EK-104X	C CAPACITOR	0.1uF 25V K	
C508	NCB31HK-103X	C CAPACITOR	0.01uF 50V K		C718	NDC31HJ-101X	C CAPACITOR	100pF 50V J	
C509	NCB31EK-103X	C CAPACITOR	0.01uF 25V K		C719	NCB31HK-102X	C CAPACITOR	1000pF 50V K	
C510	NCB31EK-103X	C CAPACITOR	0.01uF 25V K		C771	NCB31EK-473X	C CAPACITOR	0.047uF 25V K	
C511	NCB31EK-104X	C CAPACITOR	0.1uF 25V K		C781	QEKJ0JM-107Z	E CAPACITOR	100uF 6.3V M	
C512	NCB31HK-103X	C CAPACITOR	0.01uF 50V K		C782	NCB31EK-823X	C CAPACITOR	0.082uF 25V K	
C521	NCB31HK-103X	C CAPACITOR	0.01uF 50V K		C783	NCB31EK-103X	C CAPACITOR	0.01uF 25V K	
C522	NCB31HK-103X	C CAPACITOR	0.01uF 50V K		C784	QEKJ1CM-107Z	E CAPACITOR	100uF 16V M	
C523	QEKJ0JM-107Z	E CAPACITOR	100uF 6.3V M		C891	NCB31EK-104X	C CAPACITOR	0.1uF 25V K	
C524	NCB31HK-103X	C CAPACITOR	0.01uF 50V K		C901	QEZ0675-338	E CAPACITOR	3300uF	
C525	QEKJ0JM-107Z	E CAPACITOR	100uF 6.3V M		C902	QEKJ1HM-225Z	E CAPACITOR	2.2uF 50V M	
C527	NCB31HK-682X	C CAPACITOR	6800pF 50V K		C903	QEKJ1CM-476Z	E CAPACITOR	47uF 16V M	
C528	NCB31HK-103X	C CAPACITOR	0.01uF 50V K		C904	QEDJ1CM-106Z	E CAPACITOR	10uF 16V M	
C529	QEKJ0JM-107Z	E CAPACITOR	100uF 6.3V M		C905	QEKJ1CM-476Z	E CAPACITOR	47uF 16V M	

△ Symbol No.	Part No.	Part Name	Description	Local	△ Symbol No.	Part No.	Part Name	Description	Local
C906	NCB31HK-103X	C CAPACITOR	0.01uF 50V K		R186	NRSA63J-103X	MG RESISTOR	10kΩ 1/16W J	
C907	QEKJ1AM-227Z	E CAPACITOR	220uF 10V M		R187	NRSA63J-123X	MG RESISTOR	12kΩ 1/16W J	
C908	QEKJ0JM-227Z	E CAPACITOR	220uF 6.3V M		R188	NRSA63J-303X	MG RESISTOR	30kΩ 1/16W J	
C909	QEKJ0JM-227Z	E CAPACITOR	220uF 6.3V M		R197	NRSA63J-103X	MG RESISTOR	10kΩ 1/16W J	
C910	QEKJ1CM-106Z	E CAPACITOR	10uF 16V M		R198	NRSA63J-103X	MG RESISTOR	10kΩ 1/16W J	
C911	NCB31CK-104X	C CAPACITOR	0.1uF 16V K		R201	NCB31CK-105X	C CAPACITOR	1uF 16V K	
C912	NCB31HK-103X	C CAPACITOR	0.01uF 50V K		R202	NCB31CK-105X	C CAPACITOR	1uF 16V K	
C913	QEKJ1CM-106Z	E CAPACITOR	10uF 16V M		R205	NRSA02J-0R0X	MG RESISTOR	0Ω 1/10W J	
C914	QEKJ1CM-107Z	E CAPACITOR	100uF 16V M		R247	NRSA63J-473X	MG RESISTOR	47kΩ 1/16W J	
C915	NCB31CK-104X	C CAPACITOR	0.1uF 16V K		R248	NRSA63J-221X	MG RESISTOR	220Ω 1/16W J	
C961	NDC31HJ-101X	C CAPACITOR	100pF 50V J		R301	NRSA63J-273X	MG RESISTOR	27kΩ 1/16W J	
C962	NDC31HJ-101X	C CAPACITOR	100pF 50V J		R302	NRSA63J-273X	MG RESISTOR	27kΩ 1/16W J	
C963	NDC31HJ-101X	C CAPACITOR	100pF 50V J		R311	NRSA63J-273X	MG RESISTOR	27kΩ 1/16W J	
C964	NDC31HJ-101X	C CAPACITOR	100pF 50V J		R312	NRSA63J-273X	MG RESISTOR	27kΩ 1/16W J	
C965	NDC31HJ-101X	C CAPACITOR	100pF 50V J		R341	NRSA63J-222X	MG RESISTOR	2.2kΩ 1/16W J	
C966	NDC31HJ-101X	C CAPACITOR	100pF 50V J		R342	NRSA63J-821X	MG RESISTOR	820Ω 1/16W J	
C967	NDC31HJ-101X	C CAPACITOR	100pF 50V J		R343	NRSA02J-101X	MG RESISTOR	100Ω 1/10W J	
C968	NDC31HJ-101X	C CAPACITOR	100pF 50V J		R351	NRSA63J-222X	MG RESISTOR	2.2kΩ 1/16W J	
C971	NCB31EK-104X	C CAPACITOR	0.1uF 25V K		R352	NRSA63J-821X	MG RESISTOR	820Ω 1/16W J	
					R353	NRSA02J-101X	MG RESISTOR	100Ω 1/10W J	
R1	NRS181J-100X	MG RESISTOR	10Ω 1/8W J		R402	NRSA63J-470X	MG RESISTOR	47Ω 1/16W J	
R2	NRSA63J-473X	MG RESISTOR	47kΩ 1/16W J		R403	NRSA63J-105X	MG RESISTOR	1MΩ 1/16W J	
R3	NRSA63J-472X	MG RESISTOR	4.7kΩ 1/16W J		R404	NRSA63J-103X	MG RESISTOR	10kΩ 1/16W J	
R4	NRSA63J-332X	MG RESISTOR	3.3kΩ 1/16W J		R405	NRSA63J-202X	MG RESISTOR	2kΩ 1/16W J	
R5	NRSA63J-473X	MG RESISTOR	47kΩ 1/16W J		R406	NRSA63J-470X	MG RESISTOR	47Ω 1/16W J	
R6	NRSA63J-473X	MG RESISTOR	47kΩ 1/16W J		R407	NRSA63J-222X	MG RESISTOR	2.2kΩ 1/16W J	
R7	NRSA63J-472X	MG RESISTOR	4.7kΩ 1/16W J		R408	NRSA63J-222X	MG RESISTOR	2.2kΩ 1/16W J	
R9	NRSA63J-470X	MG RESISTOR	47Ω 1/16W J		R409	NRSA63J-222X	MG RESISTOR	2.2kΩ 1/16W J	
R10	NRSA63J-103X	MG RESISTOR	10kΩ 1/16W J		R412	NRSA63J-472X	MG RESISTOR	4.7kΩ 1/16W J	
R11	NRSA63J-103X	MG RESISTOR	10kΩ 1/16W J		R413	NRSA63J-472X	MG RESISTOR	4.7kΩ 1/16W J	
R31	NRS181J-100X	MG RESISTOR	10Ω 1/8W J		R414	NRSA63J-472X	MG RESISTOR	4.7kΩ 1/16W J	
R32	NRSA63J-622X	MG RESISTOR	6.2kΩ 1/16W J		R415	NRSA63J-102X	MG RESISTOR	1kΩ 1/16W J	
R33	NRSA63J-103X	MG RESISTOR	10kΩ 1/16W J		R416	NRSA63J-473X	MG RESISTOR	47kΩ 1/16W J	
R38	NRSA63J-101X	MG RESISTOR	100Ω 1/16W J		R417	NRSA63J-0R0X	MG RESISTOR	0Ω 1/16W J	
R39	NRSA63J-0R0X	MG RESISTOR	0Ω 1/16W J		R423	NRSA63J-103X	MG RESISTOR	10kΩ 1/16W J	
R40	NRSA63J-393X	MG RESISTOR	39kΩ 1/16W J		R424	NRSA63J-221X	MG RESISTOR	220Ω 1/16W J	
R41	NRSA63J-103X	MG RESISTOR	10kΩ 1/16W J		R433	NRSA63J-470X	MG RESISTOR	47Ω 1/16W J	
R42	NRS181J-100X	MG RESISTOR	10Ω 1/8W J		R440	NRSA63J-472X	MG RESISTOR	4.7kΩ 1/16W J	
R43	NRSA63J-471X	MG RESISTOR	470Ω 1/16W J		R451	NRSA63J-223X	MG RESISTOR	22kΩ 1/16W J	
R44	NRSA63J-221X	MG RESISTOR	220Ω 1/16W J		R452	NRSA63J-473X	MG RESISTOR	47kΩ 1/16W J	
R51	NRSA63J-273X	MG RESISTOR	27kΩ 1/16W J		R453	NRSA63J-222X	MG RESISTOR	2.2kΩ 1/16W J	
R52	NRSA63J-473X	MG RESISTOR	47kΩ 1/16W J		R454	NRSA63J-472X	MG RESISTOR	4.7kΩ 1/16W J	
R53	NRSA63J-473X	MG RESISTOR	47kΩ 1/16W J		R455	NRSA63J-222X	MG RESISTOR	2.2kΩ 1/16W J	
R54	NRSA63J-103X	MG RESISTOR	10kΩ 1/16W J		R456	NRSA63J-472X	MG RESISTOR	4.7kΩ 1/16W J	
R55	NRSA63J-222X	MG RESISTOR	2.2kΩ 1/16W J		R457	NRSA63J-222X	MG RESISTOR	2.2kΩ 1/16W J	
R56	NRSA63J-103X	MG RESISTOR	10kΩ 1/16W J		R458	NRSA63J-472X	MG RESISTOR	4.7kΩ 1/16W J	
R57	NRSA63J-153X	MG RESISTOR	15kΩ 1/16W J		R459	NRSA02J-101X	MG RESISTOR	100Ω 1/10W J	
R58	NRSA63J-471X	MG RESISTOR	470Ω 1/16W J		R460	NRSA02J-101X	MG RESISTOR	100Ω 1/10W J	
R59	NRSA63J-473X	MG RESISTOR	47kΩ 1/16W J		R481	NRSA02J-181X	MG RESISTOR	180Ω 1/10W J	
R71	NRSA63J-0R0X	MG RESISTOR	0Ω 1/16W J		R501	NRSA63J-333X	MG RESISTOR	33kΩ 1/16W J	
R72	NRSA63J-222X	MG RESISTOR	2.2kΩ 1/16W J		R502	NRSA63J-822X	MG RESISTOR	8.2kΩ 1/16W J	
R73	NRSA63J-222X	MG RESISTOR	2.2kΩ 1/16W J		R503	NRSA63J-472X	MG RESISTOR	4.7kΩ 1/16W J	
R74	NRSA02J-101X	MG RESISTOR	100Ω 1/10W J		R504	NRSA63J-153X	MG RESISTOR	15kΩ 1/16W J	
R75	NRSA63J-202X	MG RESISTOR	2kΩ 1/16W J		R507	NRSA63J-682X	MG RESISTOR	6.8kΩ 1/16W J	
R81	NRSA63J-0R0X	MG RESISTOR	0Ω 1/16W J		R508	NRSA63J-302X	MG RESISTOR	3kΩ 1/16W J	
R82	NRSA63J-224X	MG RESISTOR	220kΩ 1/16W J		R509	NRSA63J-123X	MG RESISTOR	12kΩ 1/16W J	
R83	NRSA63J-472X	MG RESISTOR	4.7kΩ 1/16W J		R510	NRSA63J-822X	MG RESISTOR	8.2kΩ 1/16W J	
R84	NRSA63J-0R0X	MG RESISTOR	0Ω 1/16W J		R511	NRSA63J-152X	MG RESISTOR	1.5kΩ 1/16W J	
R91	NRSA63J-0R0X	MG RESISTOR	0Ω 1/16W J		R512	NRSA63J-152X	MG RESISTOR	1.5kΩ 1/16W J	
R92	NRSA63J-224X	MG RESISTOR	220kΩ 1/16W J		R513	NRSA63J-152X	MG RESISTOR	1.5kΩ 1/16W J	
R93	NRSA63J-472X	MG RESISTOR	4.7kΩ 1/16W J		R514	NRSA02J-220X	MG RESISTOR	22Ω 1/10W J	
R158	NRSA63J-471X	MG RESISTOR	470Ω 1/16W J		R515	NRSA02J-220X	MG RESISTOR	22Ω 1/10W J	
R159	NRSA63J-471X	MG RESISTOR	470Ω 1/16W J		R516	NRSA02J-331X	MG RESISTOR	330Ω 1/10W J	
R162	NRSA63J-393X	MG RESISTOR	39kΩ 1/16W J		R517	NRSA63J-822X	MG RESISTOR	8.2kΩ 1/16W J	
R163	NRSA63J-472X	MG RESISTOR	4.7kΩ 1/16W J		R518	NRSA63J-512X	MG RESISTOR	5.1kΩ 1/16W J	
R164	NRSA63J-473X	MG RESISTOR	47kΩ 1/16W J		R523	NRSA63J-823X	MG RESISTOR	82kΩ 1/16W J	
R165	NRSA63J-473X	MG RESISTOR	47kΩ 1/16W J		R524	NRSA63J-823X	MG RESISTOR	82kΩ 1/16W J	
R166	NRSA63J-222X	MG RESISTOR	2.2kΩ 1/16W J		R525	NRSA63J-334X	MG RESISTOR	330kΩ 1/16W J	
R172	NRSA63J-393X	MG RESISTOR	39kΩ 1/16W J		R526	NRSA63J-334X	MG RESISTOR	330kΩ 1/16W J	
R173	NRSA63J-472X	MG RESISTOR	4.7kΩ 1/16W J		R527	NRSA02J-220X	MG RESISTOR	22Ω 1/10W J	
R174	NRSA63J-473X	MG RESISTOR	47kΩ 1/16W J		R528	NRSA02J-220X	MG RESISTOR	22Ω 1/10W J	
R175	NRSA63J-473X	MG RESISTOR	47kΩ 1/16W J		R529	NRSA63J-823X	MG RESISTOR	82kΩ 1/16W J	
R176	NRSA63J-222X	MG RESISTOR	2.2kΩ 1/16W J		R530	NRSA63J-563X	MG RESISTOR	56kΩ 1/16W J	
R181	NRSA63J-101X	MG RESISTOR	100Ω 1/16W J		R531	NRSA63J-103X	MG RESISTOR	10kΩ 1/16W J	
R182	NRSA63J-101X	MG RESISTOR	100Ω 1/16W J		R532	NRSA63J-202X	MG RESISTOR	2kΩ 1/16W J	
R183	NRSA63J-103X	MG RESISTOR	10kΩ 1/16W J		R533	NRSA63J-102X	MG RESISTOR	1kΩ 1/16W J	
R184	NRSA63J-123X	MG RESISTOR	12kΩ 1/16W J		R534	NRSA63J-153X	MG RESISTOR	15kΩ 1/16W J	
R185	NRSA63J-303X	MG RESISTOR	30kΩ 1/16W J		R535	NRSA63J-101X	MG RESISTOR	100Ω 1/16W J	

△ Symbol No.	Part No.	Part Name	Description	Local	△ Symbol No.	Part No.	Part Name	Description	Local
R536	NRSA63J-821X	MG RESISTOR	820Ω 1/16W J		R763	NRSA63J-102X	MG RESISTOR	1kΩ 1/16W J	
R537	NRSA63J-0R0X	MG RESISTOR	0Ω 1/16W J		R766	NRSA63J-222X	MG RESISTOR	2.2kΩ 1/16W J	
R539	NRSA02J-151X	MG RESISTOR	150Ω 1/10W J		R767	NRSA63J-223X	MG RESISTOR	22kΩ 1/16W J	
R541	NRSA63J-562X	MG RESISTOR	5.6kΩ 1/16W J		R771	NRSA63J-271X	MG RESISTOR	270Ω 1/16W J	
R542	NRSA63J-473X	MG RESISTOR	47kΩ 1/16W J		R772	NRSA63J-271X	MG RESISTOR	270Ω 1/16W J	
R543	NRSA63J-474X	MG RESISTOR	470kΩ 1/16W J		R780	NRSA63J-333X	MG RESISTOR	33kΩ 1/16W J	
R544	NRSA63J-103X	MG RESISTOR	10kΩ 1/16W J		R781	NRSA63J-473X	MG RESISTOR	47kΩ 1/16W J	
R545	NRSA63J-103X	MG RESISTOR	10kΩ 1/16W J		R782	NRSA63J-473X	MG RESISTOR	47kΩ 1/16W J	
R546	NRSA63J-0R0X	MG RESISTOR	0Ω 1/16W J		R783	NRSA63J-272X	MG RESISTOR	2.7kΩ 1/16W J	
R547	NRSA63J-0R0X	MG RESISTOR	0Ω 1/16W J		R784	NRSA63J-473X	MG RESISTOR	47kΩ 1/16W J	
R548	NRSA63J-0R0X	MG RESISTOR	0Ω 1/16W J		R793	NRS181J-0R0X	MG RESISTOR	0Ω 1/8W J	
R549	NRSA63J-101X	MG RESISTOR	100Ω 1/16W J		R891	NRSA63J-102X	MG RESISTOR	1kΩ 1/16W J	
R550	NRSA63J-101X	MG RESISTOR	100Ω 1/16W J		R892	NRSA63J-473X	MG RESISTOR	47kΩ 1/16W J	
R551	NRSA63J-101X	MG RESISTOR	100Ω 1/16W J		R901	QRE142J-102X	C RESISTOR	1kΩ 1/4W J	
R552	NRSA63J-101X	MG RESISTOR	100Ω 1/16W J		R902	NRSA02J-912X	MG RESISTOR	9.1kΩ 1/10W J	
R553	NRSA63J-105X	MG RESISTOR	1MΩ 1/16W J		R903	NRSA02J-472X	MG RESISTOR	4.7kΩ 1/10W J	
R558	NRSA63J-103X	MG RESISTOR	10kΩ 1/16W J		R971	NRS181J-222X	MG RESISTOR	2.2kΩ 1/8W J	
R559	NRSA63J-155X	MG RESISTOR	1.5MΩ 1/16W J		R972	NRS181J-222X	MG RESISTOR	2.2kΩ 1/8W J	
R581	NRSA63J-822X	MG RESISTOR	8.2kΩ 1/16W J		R976	NRSA02J-273X	MG RESISTOR	27kΩ 1/10W J	
R582	NRSA63J-822X	MG RESISTOR	8.2kΩ 1/16W J		R977	NRSA02J-123X	MG RESISTOR	12kΩ 1/10W J	
R583	NRSA63J-822X	MG RESISTOR	8.2kΩ 1/16W J		RA30	NRZ0065-222X	NET RESISTOR	2.2kΩ	
R584	NRSA63J-181X	MG RESISTOR	180Ω 1/16W J		RA550	NRZ0065-103X	NET RESISTOR	10kΩ	
R585	NRSA63J-181X	MG RESISTOR	180Ω 1/16W J		RA701	NRZ0065-102X	MG RESISTOR	1kΩ	
R586	NRSA63J-682X	MG RESISTOR	6.8kΩ 1/16W J		L1	QQL244J-4R7Z	COIL	4.7uH J	
R587	NRSA63J-102X	MG RESISTOR	1kΩ 1/16W J		L401	NQL114K-470X	INDUCTOR	47uH K	
R588	NRSA63J-102X	MG RESISTOR	1kΩ 1/16W J		L402	NQL114K-470X	INDUCTOR	47uH K	
R591	NRSA63J-822X	MG RESISTOR	8.2kΩ 1/16W J		L404	NQL114K-470X	INDUCTOR	47uH K	
R592	NRSA63J-822X	MG RESISTOR	8.2kΩ 1/16W J		L404	NQL114K-470X	INDUCTOR	47uH K	
R593	NRSA63J-822X	MG RESISTOR	8.2kΩ 1/16W J		L541	QQL244J-470Z	COIL	47uH J	
R594	NRSA63J-181X	MG RESISTOR	180Ω 1/16W J		L543	QQL244J-470Z	COIL	47uH J	
R595	NRSA63J-181X	MG RESISTOR	180Ω 1/16W J		L544	QQL244J-470Z	COIL	47uH J	
R596	NRSA63J-682X	MG RESISTOR	6.8kΩ 1/16W J		L701	NQL114M-4R7X	COIL	4.7uH M	
R597	NRSA63J-102X	MG RESISTOR	1kΩ 1/16W J		L702	NQL114M-4R7X	COIL	4.7uH M	
R598	NRSA63J-102X	MG RESISTOR	1kΩ 1/16W J		L901	QQR0703-001	CHOKE COIL		
R701	NRSA63J-473X	MG RESISTOR	47kΩ 1/16W J		CN501	QGB2027M4-22S	CONNECTOR	B-B (1-22)	
R702	NRSA63J-103X	MG RESISTOR	10kΩ 1/16W J		CN701	QGZ1601J1-15	CONNECTOR	(1-15)	
R703	NRSA63J-101X	MG RESISTOR	100Ω 1/16W J		CN702	QGA2006F1-02	CONNECTOR	W-B (1-2)	
R704	NRSA63J-473X	MG RESISTOR	47kΩ 1/16W J		CN901	QNZ0650-001	CAR CONNECTOR		
R705	NRSA63J-473X	MG RESISTOR	47kΩ 1/16W J		J1	QNB0100-002	CAR ANT JACK		
R707	NRSA63J-473X	MG RESISTOR	47kΩ 1/16W J		J321	QNN0519-001	PIN JACK		
R708	NRSA63J-332X	MG RESISTOR	3.3kΩ 1/16W J		PP2	QZW0010-001	STYLE PIN		
R714	NRSA63J-103X	MG RESISTOR	10kΩ 1/16W J		TU1	QAU0313-001	TUNER		
R715	NRSA63J-102X	MG RESISTOR	1kΩ 1/16W J		X31	QAX0616-001Z	CRYSTAL	10.250MHz	
R716	NRSA63J-102X	MG RESISTOR	1kΩ 1/16W J		X71	QAX0263-001Z	CRYSTAL	4.332MHz	
R717	NRSA63J-0R0X	MG RESISTOR	0Ω 1/16W J		X401	QAX0760-001Z	CRYSTAL		
R718	NRSA63J-0R0X	MG RESISTOR	0Ω 1/16W J		X701	QAX0617-001Z	CRYSTAL	12.500MHz	
R719	NRSA63J-0R0X	MG RESISTOR	0Ω 1/16W J		X702	QAX0401-001	CRYSTAL	32.768KHz	
R720	NRSA63J-122X	MG RESISTOR	1.2kΩ 1/16W J						
R721	NRSA63J-102X	MG RESISTOR	1kΩ 1/16W J						
R722	NRSA63J-103X	MG RESISTOR	10kΩ 1/16W J						
R723	NRSA63J-103X	MG RESISTOR	10kΩ 1/16W J						
R725	NRSA63J-103X	MG RESISTOR	10kΩ 1/16W J						
R726	NRSA63J-103X	MG RESISTOR	10kΩ 1/16W J						
R728	NRSA63J-103X	MG RESISTOR	10kΩ 1/16W J						
R729	NRSA63J-473X	MG RESISTOR	47kΩ 1/16W J						
R730	NRSA63J-103X	MG RESISTOR	10kΩ 1/16W J						
R732	NRSA63J-103X	MG RESISTOR	10kΩ 1/16W J						
R734	NRSA63J-222X	MG RESISTOR	2.2kΩ 1/16W J						
R735	NRSA63J-222X	MG RESISTOR	2.2kΩ 1/16W J						
R736	NRSA63J-222X	MG RESISTOR	2.2kΩ 1/16W J						
R741	NRSA63J-103X	MG RESISTOR	10kΩ 1/16W J						
R742	NRSA63J-103X	MG RESISTOR	10kΩ 1/16W J						
R743	NRSA63J-103X	MG RESISTOR	10kΩ 1/16W J						
R744	NRSA63J-103X	MG RESISTOR	10kΩ 1/16W J						
R745	NRSA63J-103X	MG RESISTOR	10kΩ 1/16W J						
R747	NRSA63J-472X	MG RESISTOR	4.7kΩ 1/16W J						
R748	NRSA63J-472X	MG RESISTOR	4.7kΩ 1/16W J						
R749	NRSA63J-472X	MG RESISTOR	4.7kΩ 1/16W J						
R751	NRSA63J-103X	MG RESISTOR	10kΩ 1/16W J						
R752	NRSA63J-473X	MG RESISTOR	47kΩ 1/16W J						
R753	NRSA63J-473X	MG RESISTOR	47kΩ 1/16W J						
R754	NRSA63J-821X	MG RESISTOR	820Ω 1/16W J						
R755	NRSA63J-106X	MG RESISTOR	10MΩ 1/16W J						
R756	NRSA63J-473X	MG RESISTOR	47kΩ 1/16W J						
R757	NRSA63J-222X	MG RESISTOR	2.2kΩ 1/16W J						
R758	NRSA63J-473X	MG RESISTOR	47kΩ 1/16W J						
R760	NRSA63J-473X	MG RESISTOR	47kΩ 1/16W J						
R761	NRSA63J-473X	MG RESISTOR	47kΩ 1/16W J						

Switch Board (KD-G311,KD-G312_E,EX,EY,EU)

Block No. [0][2]

△ Symbol No.	Part No.	Part Name	Description	Local
IC601	PT6523LQ-L	LCD DRIVER		
IC602	RPM7338-V4	RM.RECEIVER		
Q671	2SB624/4-X	TRANSISTOR		
Q672	UN2211-X	TRANSISTOR		
D601	SML-310VT/JK/-X	LED		
D602	SML-310VT/JK/-X	LED		
D603	SML-310VT/JK/-X	LED		
D604	SML-310VT/JK/-X	LED		
D605	SML-310VT/JK/-X	LED		
D606	SML-310VT/JK/-X	LED		
D607	SML-310VT/JK/-X	LED		
D608	SML-310LT/MN/-X	LED		
D609	SML-310LT/MN/-X	LED		
D610	SML-310VT/JK/-X	LED		
D611	SML-310VT/JK/-X	LED		
D612	SML-310VT/JK/-X	LED		

△ Symbol No.	Part No.	Part Name	Description	Local
D613	SML-310VT/JK/-X	LED		
D614	SML-310VT/JK/-X	LED		
D615	SML-310VT/JK/-X	LED		
D616	SML-310VT/JK/-X	LED		
D617	SML-310VT/JK/-X	LED		
D618	SML-310LT/MN/-X	LED		
D631	NSPW310BS/BRS/	LED		
D632	NSPW310BS/BRS/	LED		
D641	MA8051/M/-X	Z DIODE		
D643	MA111-X	SI DIODE		
D644	MA8062/M/-X	Z DIODE		

C601	NCB31HK-223X	C CAPACITOR	0.022uF 50V K	
C602	NCS31HJ-681X	C CAPACITOR	680pF 50V J	
C603	NBE20JM-106X	TA E CAPACITOR	10uF 6.3V M	
C611	NCB31HK-123X	C CAPACITOR	0.012uF 50V K	
C612	NBE20JM-475X	TA E CAPACITOR	4.7uF 6.3V M	

R601	NRSA63J-821X	MG RESISTOR	820Ω 1/16W J	
R602	NRSA63J-821X	MG RESISTOR	820Ω 1/16W J	
R603	NRSA63J-122X	MG RESISTOR	1.2kΩ 1/16W J	
R604	NRSA63J-182X	MG RESISTOR	1.8kΩ 1/16W J	
R605	NRSA63J-821X	MG RESISTOR	820Ω 1/16W J	
R606	NRSA63J-821X	MG RESISTOR	820Ω 1/16W J	
R607	NRSA63J-122X	MG RESISTOR	1.2kΩ 1/16W J	
R608	NRSA63J-182X	MG RESISTOR	1.8kΩ 1/16W J	
R609	NRSA63J-272X	MG RESISTOR	2.7kΩ 1/16W J	
R610	NRSA63J-392X	MG RESISTOR	3.9kΩ 1/16W J	
R611	NRSA63J-821X	MG RESISTOR	820Ω 1/16W J	
R612	NRSA63J-821X	MG RESISTOR	820Ω 1/16W J	
R613	NRSA63J-122X	MG RESISTOR	1.2kΩ 1/16W J	
R614	NRSA63J-182X	MG RESISTOR	1.8kΩ 1/16W J	
R615	NRSA63J-272X	MG RESISTOR	2.7kΩ 1/16W J	
R627	NRSA02J-391X	MG RESISTOR	390Ω 1/10W J	
R628	NRSA02J-391X	MG RESISTOR	390Ω 1/10W J	
R629	NRSA63J-821X	MG RESISTOR	820Ω 1/16W J	
R630	NRSA63J-132X	MG RESISTOR	1.3kΩ 1/16W J	
R631	NRSA63J-132X	MG RESISTOR	1.3kΩ 1/16W J	
R632	NRSA63J-331X	MG RESISTOR	330Ω 1/16W J	
R634	NRSA63J-821X	MG RESISTOR	820Ω 1/16W J	
R636	NRSA63J-471X	MG RESISTOR	470Ω 1/16W J	
R638	NRSA63J-681X	MG RESISTOR	680Ω 1/16W J	
R640	NRSA63J-471X	MG RESISTOR	470Ω 1/16W J	
R642	NRSA63J-132X	MG RESISTOR	1.3kΩ 1/16W J	
R643	NRSA63J-132X	MG RESISTOR	1.3kΩ 1/16W J	
R644	NRSA63J-331X	MG RESISTOR	330Ω 1/16W J	
R651	NRSA63J-222X	MG RESISTOR	2.2kΩ 1/16W J	
R652	NRSA63J-222X	MG RESISTOR	2.2kΩ 1/16W J	
R653	NRSA63J-103X	MG RESISTOR	10kΩ 1/16W J	
R654	NRSA63J-103X	MG RESISTOR	10kΩ 1/16W J	
R655	NRSA63J-103X	MG RESISTOR	10kΩ 1/16W J	
R656	NRSA63J-103X	MG RESISTOR	10kΩ 1/16W J	
R657	NRSA63J-513X	MG RESISTOR	51kΩ 1/16W J	
R658	NRSA63J-184X	MG RESISTOR	180kΩ 1/16W J	
R661	NRSA63J-103X	MG RESISTOR	10kΩ 1/16W J	
R662	NRSA63J-471X	MG RESISTOR	470Ω 1/16W J	
R671	NRSA02J-471X	MG RESISTOR	470Ω 1/10W J	
R672	NRSA02J-473X	MG RESISTOR	47kΩ 1/10W J	
R673	NRSA02J-102X	MG RESISTOR	1kΩ 1/10W J	

CJ601	QGZ1601K1-15S	CONNECTOR	(1-15)	
S601	NSW0124-001X	TACT SW		
S602	NSW0124-001X	TACT SW		
S603	NSW0124-001X	TACT SW		
S604	NSW0124-001X	TACT SW		
S605	NSW0124-001X	TACT SW		
S606	NSW0124-001X	TACT SW		
S607	NSW0124-001X	TACT SW		
S608	NSW0124-001X	TACT SW		
S609	NSW0124-001X	TACT SW		
S610	NSW0124-001X	TACT SW		
S611	NSW0124-001X	TACT SW		
S612	NSW0124-001X	TACT SW		
S613	NSW0124-001X	TACT SW		
S614	NSW0124-001X	TACT SW		
S615	NSW0124-001X	TACT SW		
S616	NSW0124-001X	TACT SW		
S617	NSW0124-001X	TACT SW		

△ Symbol No.	Part No.	Part Name	Description	Local
S618	NSW0124-001X	TACT SW		

Main board (KD-G311,KD-G312_E2,EX2,EY2,EU2)

Block No. [0][3]

△ Symbol No.	Part No.	Part Name	Description	Local
IC31	TB2118F-X	PLL IC		
IC71	SAA6579T-X	IC		
IC161	NJW1191V-X	IC		
IC171	NJM4565M-WE	IC		
IC301	LA47516	POWER IC		
IC401	TC94A34FG-002	IC		
IC461	NJU7772F15-X	IC		
IC481	AK4385E-TX	IC		
IC491	SN74AHCT1G04K-X	IC		
IC501	LA6242H-X	IC		
IC521	TA2157FN-X	RF AMP IC		
IC541	TC94A14FA	CD LSI IC		
IC581	NJM4565M-WE	IC		
IC701	UPD784217AGC307	IC		
IC702	IC-PST3433U-X	IC		
IC771	BR24L16F-W-X	IC		
IC901	HA13164A	IC		

Q1	2SD601A/QR/-X	TRANSISTOR		
Q2	2SD601A/QR/-X	TRANSISTOR		
Q3	UN2211-X	TRANSISTOR		
Q5	2SB709A/R/-X	TRANSISTOR		
Q6	2SB624/4/-X	TRANSISTOR		
Q7	UN2211-X	TRANSISTOR		
Q10	UN2211-X	TRANSISTOR		
Q31	UN2211-X	TRANSISTOR		
Q51	2SD601A/QR/-X	TRANSISTOR		
Q52	2SD601A/QR/-X	TRANSISTOR		
Q53	UN2211-X	TRANSISTOR		
Q81	2SD601A/QR/-X	TRANSISTOR		
Q84	UN2211-X	TRANSISTOR		
Q91	2SD601A/QR/-X	TRANSISTOR		
Q341	KTD1304-X	TRANSISTOR		
Q351	KTD1304-X	TRANSISTOR		
Q440	UN2211-X	TRANSISTOR		
Q501	2SB1322/RS/-T	TRANSISTOR		
Q502	2SB1132/QR/-W	TRANSISTOR		
Q521	2SB1241/QR/-T	TRANSISTOR		
Q541	UN2211-X	TRANSISTOR		
Q542	UN2211-X	TRANSISTOR		
Q543	UN2211-X	TRANSISTOR		
Q544	2SB624/4/-X	TRANSISTOR		
Q545	UN2211-X	TRANSISTOR		
Q781	UN2211-X	TRANSISTOR		
Q782	UN2213-X	DIGI TRANSISTOR		
Q784	UN2211-X	TRANSISTOR		
Q891	UN2211-X	TRANSISTOR		
Q976	UN2211-X	TRANSISTOR		
Q977	2SB709A/QR/-X	TRANSISTOR		

D1	MA111-X	SI DIODE		
D2	MA111-X	SI DIODE		
D4	MA111-X	SI DIODE		
D5	MA111-X	SI DIODE		
D84	MA111-X	SI DIODE		
D341	MA111-X	SI DIODE		
D351	MA111-X	SI DIODE		
D481	MA8051/M/-X	Z DIODE		
D701	MA8062/M/-X	Z DIODE		
D702	MA8062/M/-X	Z DIODE		
D703	MA8062/M/-X	Z DIODE		
D704	MA8062/M/-X	Z DIODE		
D705	MA8062/M/-X	Z DIODE		
D706	MA8062/M/-X	Z DIODE		
D709	MA8062/M/-X	Z DIODE		

△ Symbol No.	Part No.	Part Name	Description	Local	△ Symbol No.	Part No.	Part Name	Description	Local
D710	MA8062/M-X	Z DIODE			C180	QEKJ1CM-106Z	E CAPACITOR	10uF 16V M	
D711	MA8062/M-X	Z DIODE			C183	NCB31HK-152X	C CAPACITOR	1500pF 50V K	
D712	MA8062/M-X	Z DIODE			C184	NDC31HJ-151X	C CAPACITOR	150pF 50V J	
D713	MA111-X	SI DIODE			C185	QEKJ0JM-476Z	E CAPACITOR	47uF 6.3V M	
D781	MA111-X	SI DIODE			C186	NCB31HK-152X	C CAPACITOR	1500pF 50V K	
D782	MA111-X	SI DIODE			C187	NDC31HJ-151X	C CAPACITOR	150pF 50V J	
D784	MA8091/M-X	Z DIODE			C188	QEKJ1CM-476Z	E CAPACITOR	47uF 16V M	
D891	MA111-X	SI DIODE			C189	NCB31EK-103X	C CAPACITOR	0.01uF 25V K	
D892	MA111-X	SI DIODE			C191	QEKJ1HM-225Z	E CAPACITOR	2.2uF 50V M	
D901	1N5401-F64	DIODE			C192	QEKJ1HM-225Z	E CAPACITOR	2.2uF 50V M	
D902	MA111-X	SI DIODE			C193	QEKJ1CM-107Z	E CAPACITOR	100uF 16V M	
D971	RB160M-30-X	SB DIODE			C194	NCB31EK-103X	C CAPACITOR	0.01uF 25V K	
D972	RB160M-30-X	SB DIODE			C195	QEKJ1EM-475Z	E CAPACITOR	4.7uF 25V M	
C1	QEKJ1CM-226Z	E CAPACITOR	22uF 16V M		C201	NCB31CK-105X	C CAPACITOR	1uF 16V K	
C2	NCB31EK-473X	C CAPACITOR	0.047uF 25V K		C202	NCB31CK-105X	C CAPACITOR	1uF 16V K	
C3	QEKJ1CM-226Z	E CAPACITOR	22uF 16V M		C301	QFV91HJ-474Z	MF CAPACITOR	0.47uF 50V J	
C4	QEKJ1AM-227Z	E CAPACITOR	220uF 10V M		C302	QFV91HJ-474Z	MF CAPACITOR	0.47uF 50V J	
C5	QEKJ1HM-105Z	E CAPACITOR	1uF 50V M		C303	NDC31HJ-101X	C CAPACITOR	100pF 50V J	
C6	NCB31HK-103X	C CAPACITOR	0.01uF 50V K		C304	NDC31HJ-101X	C CAPACITOR	100pF 50V J	
C9	QEKJ1AM-227Z	E CAPACITOR	220uF 10V M		C307	QEKJ1HM-105Z	E CAPACITOR	1uF 50V M	
C31	QEKJ1AM-107Z	E CAPACITOR	100uF 10V M		C308	QEKJ1HM-105Z	E CAPACITOR	1uF 50V M	
C32	NDC31HJ-470X	C CAPACITOR	47pF 50V J		C311	QFV91HJ-474Z	MF CAPACITOR	0.47uF 50V J	
C33	QEKJ0JM-476Z	E CAPACITOR	47uF 6.3V M		C312	QFV91HJ-474Z	MF CAPACITOR	0.47uF 50V J	
C34	NCB31EK-473X	C CAPACITOR	0.047uF 25V K		C313	NDC31HJ-101X	C CAPACITOR	100pF 50V J	
C35	NDC31HJ-100X	C CAPACITOR	10pF 50V J		C314	NDC31HJ-101X	C CAPACITOR	100pF 50V J	
C36	NDC31HJ-7R0X	C CAPACITOR	7pF 50V J		C315	QEKJ1CM-106Z	E CAPACITOR	10uF 16V M	
C37	NDC31HJ-100X	C CAPACITOR	10pF 50V J		C316	QEKJ1EM-475Z	E CAPACITOR	4.7uF 25V M	
C38	NCB31HK-102X	C CAPACITOR	1000pF 50V K		C317	QEKJ1CM-476Z	E CAPACITOR	47uF 16V M	
C39	NCB31HK-102X	C CAPACITOR	1000pF 50V K		C318	QEDJ1CM-226Z	E CAPACITOR	22uF 16V M	
C40	QEKJ1CM-106Z	E CAPACITOR	10uF 16V M		C319	NCB31EK-223X	C CAPACITOR	0.022uF 25V K	
C41	NCB31EK-473X	C CAPACITOR	0.047uF 25V K		C320	NCB31EK-223X	C CAPACITOR	0.022uF 25V K	
C42	NCB31HK-103X	C CAPACITOR	0.01uF 50V K		C321	NCB31CK-104X	C CAPACITOR	0.1uF 16V K	
C43	QFV61HJ-473Z	MF CAPACITOR	0.047uF 50V J		C322	NCB31EK-104X	C CAPACITOR	0.1uF 25V K	
C44	NCB31HK-103X	C CAPACITOR	0.01uF 50V K		C323	NCB31EK-104X	C CAPACITOR	0.1uF 25V K	
C45	NCB31HK-272X	C CAPACITOR	2700pF 50V K		C324	NCB31EK-104X	C CAPACITOR	0.1uF 25V K	
C46	NCB31HK-103X	C CAPACITOR	0.01uF 50V K		C325	NCB31EK-104X	C CAPACITOR	0.1uF 25V K	
C47	NCB31HK-103X	C CAPACITOR	0.01uF 50V K		C331	NCB31CK-104X	C CAPACITOR	0.1uF 16V K	
C48	NCB31EK-473X	C CAPACITOR	0.047uF 25V K		C402	NCB31HK-103X	C CAPACITOR	0.01uF 50V K	
C49	NCB31HK-102X	C CAPACITOR	1000pF 50V K		C403	NCB31HK-103X	C CAPACITOR	0.01uF 50V K	
C50	NDC31HJ-101X	C CAPACITOR	100pF 50V J		C404	NCB31HK-103X	C CAPACITOR	0.01uF 50V K	
C51	NDC31HJ-331X	C CAPACITOR	330pF 50V J		C405	QEKJ1HM-105Z	E CAPACITOR	1uF 50V M	
C52	NCB31HK-103X	C CAPACITOR	0.01uF 50V K		C408	NCB31HK-103X	C CAPACITOR	0.01uF 50V K	
C53	NCB31EK-472X	C CAPACITOR	4700pF 25V K		C409	QEKJ0JM-107Z	E CAPACITOR	100uF 6.3V M	
C54	NCB31EK-104X	C CAPACITOR	0.1uF 25V K		C411	QEKJ0JM-107Z	E CAPACITOR	100uF 6.3V M	
C55	QEKJ1HM-474Z	E CAPACITOR	0.47uF 50V M		C412	NCB31HK-103X	C CAPACITOR	0.01uF 50V K	
C71	NDC31HJ-561X	C CAPACITOR	560pF 50V J		C413	NCB31CK-104X	C CAPACITOR	0.1uF 16V K	
C72	NCB31EK-223X	C CAPACITOR	0.022uF 25V K		C414	NCB31HK-222X	C CAPACITOR	2200pF 50V K	
C73	QEKJ1HM-225Z	E CAPACITOR	2.2uF 50V M		C415	NCB31CK-104X	C CAPACITOR	0.1uF 16V K	
C74	NDC31HJ-820X	C CAPACITOR	82pF 50V J		C416	NCB31HK-103X	C CAPACITOR	0.01uF 50V K	
C75	NDC31HJ-470X	C CAPACITOR	47pF 50V J		C419	NDC31HJ-120X	C CAPACITOR	12pF 50V J	
C76	NCB31HK-103X	C CAPACITOR	0.01uF 50V K		C420	NDC31HJ-120X	C CAPACITOR	12pF 50V J	
C77	QEKJ0JM-476Z	E CAPACITOR	47uF 6.3V M		C421	NCB31HK-103X	C CAPACITOR	0.01uF 50V K	
C78	NCB31HK-103X	C CAPACITOR	0.01uF 50V K		C422	QEKJ0JM-107Z	E CAPACITOR	100uF 6.3V M	
C81	QEKJ1HM-105Z	E CAPACITOR	1uF 50V M		C425	NCB31HK-103X	C CAPACITOR	0.01uF 50V K	
C83	NCB31EK-104X	C CAPACITOR	0.1uF 25V K		C430	NCB31HK-103X	C CAPACITOR	0.01uF 50V K	
C84	NCB31HK-183X	C CAPACITOR	0.018uF 50V K		C440	NCB31HK-103X	C CAPACITOR	0.01uF 50V K	
C91	QEKJ1HM-105Z	E CAPACITOR	1uF 50V M		C461	NCB31EK-104X	C CAPACITOR	0.1uF 25V K	
C94	NCB31HK-183X	C CAPACITOR	0.018uF 50V K		C462	QEKJ0JM-107Z	E CAPACITOR	100uF 6.3V M	
C156	NCB21CK-474X	C CAPACITOR	0.47uF 16V K		C463	QEKJ0JM-107Z	E CAPACITOR	100uF 6.3V M	
C157	NCB21CK-474X	C CAPACITOR	0.47uF 16V K		C464	NCB31EK-104X	C CAPACITOR	0.1uF 25V K	
C158	NCB31HK-472X	C CAPACITOR	4700pF 50V K		C481	QEKJ0JM-476Z	E CAPACITOR	47uF 6.3V M	
C159	NCB31HK-472X	C CAPACITOR	4700pF 50V K		C482	NCB31EK-104X	C CAPACITOR	0.1uF 25V K	
C161	QTE1H54-225Z	E CAPACITOR	2.2uF 50V		C483	NCB31EK-104X	C CAPACITOR	0.1uF 25V K	
C162	QEKJ1HM-105Z	E CAPACITOR	1uF 50V M		C501	QEDJ1AM-476Z	E CAPACITOR	47uF 10V M	
C164	NCB31HK-471X	C CAPACITOR	470pF 50V K		C502	NCB31HK-103X	C CAPACITOR	0.01uF 50V K	
C165	NCB31AK-154X	C CAPACITOR	0.15uF 10V K		C503	QEKJ1AM-107Z	E CAPACITOR	100uF 10V M	
C166	NCB31HK-472X	C CAPACITOR	4700pF 50V K		C504	NCB31EK-473X	C CAPACITOR	0.047uF 25V K	
C167	NCB31CK-104X	C CAPACITOR	0.1uF 16V K		C505	NCB31EK-473X	C CAPACITOR	0.047uF 25V K	
C169	QEKJ1CM-106Z	E CAPACITOR	10uF 16V M		C506	NCB31EK-473X	C CAPACITOR	0.047uF 25V K	
C170	QEKJ1CM-106Z	E CAPACITOR	10uF 16V M		C507	NCB31EK-473X	C CAPACITOR	0.047uF 25V K	
C171	QTE1H54-225Z	E CAPACITOR	2.2uF 50V		C508	NCB31HK-103X	C CAPACITOR	0.01uF 50V K	
C172	QEKJ1HM-105Z	E CAPACITOR	1uF 50V M		C509	NCB31EK-103X	C CAPACITOR	0.01uF 25V K	
C174	NCB31HK-471X	C CAPACITOR	470pF 50V K		C510	NCB31EK-103X	C CAPACITOR	0.01uF 25V K	
C175	NCB31AK-154X	C CAPACITOR	0.15uF 10V K		C511	NCB31EK-104X	C CAPACITOR	0.1uF 25V K	
C176	NCB31HK-472X	C CAPACITOR	4700pF 50V K		C512	NCB31HK-103X	C CAPACITOR	0.01uF 50V K	
C177	NCB31CK-104X	C CAPACITOR	0.1uF 16V K		C521	NCB31HK-103X	C CAPACITOR	0.01uF 50V K	
C179	QEKJ1CM-106Z	E CAPACITOR	10uF 16V M		C522	NCB31HK-103X	C CAPACITOR	0.01uF 50V K	
					C523	QEKJ0JM-107Z	E CAPACITOR	100uF 6.3V M	

△ Symbol No.	Part No.	Part Name	Description	Local	△ Symbol No.	Part No.	Part Name	Description	Local
C524	NCB31HK-103X	C CAPACITOR	0.01uF 50V K		C901	QEZO675-338	E CAPACITOR	3300uF	
C525	QEKJ0JM-107Z	E CAPACITOR	100uF 6.3V M		C902	QEKJ1HM-225Z	E CAPACITOR	2.2uF 50V M	
C527	NCB31HK-682X	C CAPACITOR	6800pF 50V K		C903	QEKJ1CM-476Z	E CAPACITOR	47uF 16V M	
C528	NCB31HK-103X	C CAPACITOR	0.01uF 50V K		C904	QEDJ1CM-106Z	E CAPACITOR	10uF 16V M	
C529	QEKJ0JM-107Z	E CAPACITOR	100uF 6.3V M		C905	QEKJ1CM-476Z	E CAPACITOR	47uF 16V M	
C530	NCB31EK-104X	C CAPACITOR	0.1uF 25V K		C906	NCB31HK-103X	C CAPACITOR	0.01uF 50V K	
C531	NCB31EK-104X	C CAPACITOR	0.1uF 25V K		C907	QEKJ1AM-227Z	E CAPACITOR	220uF 10V M	
C532	NDC31HJ-680X	C CAPACITOR	68pF 50V J		C908	QEKJ0JM-227Z	E CAPACITOR	220uF 6.3V M	
C533	NCB31HK-103X	C CAPACITOR	0.01uF 50V K		C909	QEKJ0JM-227Z	E CAPACITOR	220uF 6.3V M	
C534	NDC31HJ-5R0X	C CAPACITOR	5pF 50V J		C910	QEKJ1CM-106Z	E CAPACITOR	10uF 16V M	
C541	QEKJ0JM-107Z	E CAPACITOR	100uF 6.3V M		C911	NCB31CK-104X	C CAPACITOR	0.1uF 16V K	
C542	NCB31HK-103X	C CAPACITOR	0.01uF 50V K		C912	NCB31HK-103X	C CAPACITOR	0.01uF 50V K	
C543	QEKJ1HM-105Z	E CAPACITOR	1uF 50V M		C913	QEKJ1CM-106Z	E CAPACITOR	10uF 16V M	
C544	QEKJ0JM-107Z	E CAPACITOR	100uF 6.3V M		C914	QEKJ1CM-107Z	E CAPACITOR	100uF 16V M	
C545	NCB31HK-103X	C CAPACITOR	0.01uF 50V K		C915	NCB31CK-104X	C CAPACITOR	0.1uF 16V K	
C546	NDC31HJ-470X	C CAPACITOR	47pF 50V J		C961	NDC31HJ-101X	C CAPACITOR	100pF 50V J	
C547	NCB31HK-153X	C CAPACITOR	0.015uF 50V K		C962	NDC31HJ-101X	C CAPACITOR	100pF 50V J	
C548	NCB31HK-103X	C CAPACITOR	0.01uF 50V K		C963	NDC31HJ-101X	C CAPACITOR	100pF 50V J	
C549	NCB31HK-272X	C CAPACITOR	2700pF 50V K		C964	NDC31HJ-101X	C CAPACITOR	100pF 50V J	
C550	NCB31HK-103X	C CAPACITOR	0.01uF 50V K		C965	NDC31HJ-101X	C CAPACITOR	100pF 50V J	
C551	NCB31EK-333X	C CAPACITOR	0.033uF 25V K		C966	NDC31HJ-101X	C CAPACITOR	100pF 50V J	
C552	NCB31EK-333X	C CAPACITOR	0.033uF 25V K		C967	NDC31HJ-101X	C CAPACITOR	100pF 50V J	
C553	NCB31EK-473X	C CAPACITOR	0.047uF 25V K		C968	NDC31HJ-101X	C CAPACITOR	100pF 50V J	
C554	NCB31EK-473X	C CAPACITOR	0.047uF 25V K		C971	NCB31EK-104X	C CAPACITOR	0.1uF 25V K	
C555	NCB31EK-473X	C CAPACITOR	0.047uF 25V K						
C556	NCB31HK-471X	C CAPACITOR	470pF 50V K		R1	NRS181J-100X	MG RESISTOR	10Ω 1/8W J	
C557	NCB31HK-471X	C CAPACITOR	470pF 50V K		R2	NRSA63J-473X	MG RESISTOR	47kΩ 1/16W J	
C558	NCB31EK-473X	C CAPACITOR	0.047uF 25V K		R3	NRSA63J-472X	MG RESISTOR	4.7kΩ 1/16W J	
C559	NCB31EK-473X	C CAPACITOR	0.047uF 25V K		R4	NRSA63J-332X	MG RESISTOR	3.3kΩ 1/16W J	
C560	NCB31HK-103X	C CAPACITOR	0.01uF 50V K		R5	NRSA63J-473X	MG RESISTOR	47kΩ 1/16W J	
C561	QEKJ0JM-107Z	E CAPACITOR	100uF 6.3V M		R6	NRSA63J-473X	MG RESISTOR	47kΩ 1/16W J	
C562	NCB31HK-103X	C CAPACITOR	0.01uF 50V K		R7	NRSA63J-472X	MG RESISTOR	4.7kΩ 1/16W J	
C565	NCB31HK-103X	C CAPACITOR	0.01uF 50V K		R9	NRSA63J-470X	MG RESISTOR	47Ω 1/16W J	
C566	QEKJ0JM-107Z	E CAPACITOR	100uF 6.3V M		R10	NRSA63J-103X	MG RESISTOR	10kΩ 1/16W J	
C568	NCB31EK-104X	C CAPACITOR	0.1uF 25V K		R11	NRSA63J-103X	MG RESISTOR	10kΩ 1/16W J	
C569	NCB31HK-103X	C CAPACITOR	0.01uF 50V K		R31	NRS181J-100X	MG RESISTOR	10Ω 1/8W J	
C570	QEKJ0JM-107Z	E CAPACITOR	100uF 6.3V M		R32	NRSA63J-622X	MG RESISTOR	6.2kΩ 1/16W J	
C571	NCB31HK-103X	C CAPACITOR	0.01uF 50V K		R33	NRSA63J-103X	MG RESISTOR	10kΩ 1/16W J	
C572	QEKJ0JM-107Z	E CAPACITOR	100uF 6.3V M		R38	NRSA63J-101X	MG RESISTOR	100Ω 1/16W J	
C580	QEKJ1EM-475Z	E CAPACITOR	4.7uF 25V M		R39	NRSA63J-0R0X	MG RESISTOR	0Ω 1/16W J	
C581	NCB31HK-332X	C CAPACITOR	3300pF 50V K		R40	NRSA63J-393X	MG RESISTOR	39kΩ 1/16W J	
C582	NDC31HJ-271X	C CAPACITOR	270pF 50V J		R41	NRSA63J-103X	MG RESISTOR	10kΩ 1/16W J	
C583	NDC31HJ-271X	C CAPACITOR	270pF 50V J		R42	NRS181J-100X	MG RESISTOR	10Ω 1/8W J	
C584	NCB31EK-104X	C CAPACITOR	0.1uF 25V K		R43	NRSA63J-471X	MG RESISTOR	470Ω 1/16W J	
C585	QERFOJM-476Z	E CAPACITOR	47uF 6.3V M		R44	NRSA63J-221X	MG RESISTOR	220Ω 1/16W J	
C589	QEKJ1EM-475Z	E CAPACITOR	4.7uF 25V M		R51	NRSA63J-223X	MG RESISTOR	22kΩ 1/16W J	
C590	QEKJ1EM-475Z	E CAPACITOR	4.7uF 25V M		R52	NRSA63J-473X	MG RESISTOR	47kΩ 1/16W J	
C591	NCB31HK-332X	C CAPACITOR	3300pF 50V K		R53	NRSA63J-473X	MG RESISTOR	47kΩ 1/16W J	
C592	NDC31HJ-271X	C CAPACITOR	270pF 50V J		R54	NRSA63J-103X	MG RESISTOR	10kΩ 1/16W J	
C593	NDC31HJ-271X	C CAPACITOR	270pF 50V J		R55	NRSA63J-222X	MG RESISTOR	2.2kΩ 1/16W J	
C594	NCB31EK-104X	C CAPACITOR	0.1uF 25V K		R56	NRSA63J-103X	MG RESISTOR	10kΩ 1/16W J	
C595	QEKJ0JM-476Z	E CAPACITOR	47uF 6.3V M		R57	NRSA63J-153X	MG RESISTOR	15kΩ 1/16W J	
C596	QEKJ1AM-107Z	E CAPACITOR	100uF 10V M		R58	NRSA63J-471X	MG RESISTOR	470Ω 1/16W J	
C597	NCB31HK-103X	C CAPACITOR	0.01uF 50V K		R59	NRSA63J-473X	MG RESISTOR	47kΩ 1/16W J	
C599	QEKJ1EM-475Z	E CAPACITOR	4.7uF 25V M		R71	NRSA63J-222X	MG RESISTOR	2.2kΩ 1/16W J	
C701	NDC31HJ-220X	C CAPACITOR	22pF 50V J		R72	NRSA63J-222X	MG RESISTOR	2.2kΩ 1/16W J	
C702	NDC31HJ-270X	C CAPACITOR	27pF 50V J		R73	NRSA63J-222X	MG RESISTOR	2.2kΩ 1/16W J	
C703	NDC31HJ-270X	C CAPACITOR	27pF 50V J		R74	NRSA02J-101X	MG RESISTOR	100Ω 1/10W J	
C704	NDC31HJ-8R0X	C CAPACITOR	8pF 50V J		R81	NRSA63J-0R0X	MG RESISTOR	0Ω 1/16W J	
C705	NCB31EK-473X	C CAPACITOR	0.047uF 25V K		R82	NRSA63J-224X	MG RESISTOR	220kΩ 1/16W J	
C706	NCB31EK-473X	C CAPACITOR	0.047uF 25V K		R83	NRSA63J-472X	MG RESISTOR	4.7kΩ 1/16W J	
C707	NCB31EK-473X	C CAPACITOR	0.047uF 25V K		R84	NRSA63J-0R0X	MG RESISTOR	0Ω 1/16W J	
C708	NCB31EK-473X	C CAPACITOR	0.047uF 25V K		R91	NRSA63J-0R0X	MG RESISTOR	0Ω 1/16W J	
C709	NCB31HK-103X	C CAPACITOR	0.01uF 50V K		R92	NRSA63J-224X	MG RESISTOR	220kΩ 1/16W J	
C710	QEKJ0JM-476Z	E CAPACITOR	47uF 6.3V M		R93	NRSA63J-472X	MG RESISTOR	4.7kΩ 1/16W J	
C711	QEKJ0JM-227Z	E CAPACITOR	220uF 6.3V M		R158	NRSA63J-471X	MG RESISTOR	470Ω 1/16W J	
C712	NCB31HK-103X	C CAPACITOR	0.01uF 50V K		R159	NRSA63J-471X	MG RESISTOR	470Ω 1/16W J	
C713	NCB31EK-103X	C CAPACITOR	0.01uF 25V K		R162	NRSA63J-393X	MG RESISTOR	39kΩ 1/16W J	
C716	NCB31EK-104X	C CAPACITOR	0.1uF 25V K		R163	NRSA63J-472X	MG RESISTOR	4.7kΩ 1/16W J	
C717	NCB31EK-104X	C CAPACITOR	0.1uF 25V K		R164	NRSA63J-473X	MG RESISTOR	47kΩ 1/16W J	
C718	NDC31HJ-101X	C CAPACITOR	100pF 50V J		R165	NRSA63J-473X	MG RESISTOR	47kΩ 1/16W J	
C719	NCB31HK-102X	C CAPACITOR	1000pF 50V K		R166	NRSA63J-222X	MG RESISTOR	2.2kΩ 1/16W J	
C771	NCB31EK-473X	C CAPACITOR	0.047uF 25V K		R172	NRSA63J-393X	MG RESISTOR	39kΩ 1/16W J	
C781	QEKJ0JM-107Z	E CAPACITOR	100uF 6.3V M		R173	NRSA63J-472X	MG RESISTOR	4.7kΩ 1/16W J	
C782	NCB31EK-823X	C CAPACITOR	0.082uF 25V K		R174	NRSA63J-473X	MG RESISTOR	47kΩ 1/16W J	
C783	NCB31EK-103X	C CAPACITOR	0.01uF 25V K		R175	NRSA63J-473X	MG RESISTOR	47kΩ 1/16W J	
C784	QEKJ1CM-107Z	E CAPACITOR	100uF 16V M		R176	NRSA63J-222X	MG RESISTOR	2.2kΩ 1/16W J	
C891	NCB31EK-104X	C CAPACITOR	0.1uF 25V K		R181	NRSA63J-101X	MG RESISTOR	100Ω 1/16W J	

△ Symbol No.	Part No.	Part Name	Description	Local	△ Symbol No.	Part No.	Part Name	Description	Local
R182	NRSA63J-101X	MG RESISTOR	100Ω 1/16W J		R534	NRSA63J-153X	MG RESISTOR	15kΩ 1/16W J	
R183	NRSA63J-103X	MG RESISTOR	10kΩ 1/16W J		R535	NRSA63J-101X	MG RESISTOR	100Ω 1/16W J	
R184	NRSA63J-123X	MG RESISTOR	12kΩ 1/16W J		R536	NRSA63J-821X	MG RESISTOR	820Ω 1/16W J	
R185	NRSA63J-303X	MG RESISTOR	30kΩ 1/16W J		R537	NRSA63J-0R0X	MG RESISTOR	0Ω 1/16W J	
R186	NRSA63J-103X	MG RESISTOR	10kΩ 1/16W J		R539	NRSA02J-151X	MG RESISTOR	150Ω 1/10W J	
R187	NRSA63J-123X	MG RESISTOR	12kΩ 1/16W J		R541	NRSA63J-562X	MG RESISTOR	5.6kΩ 1/16W J	
R188	NRSA63J-303X	MG RESISTOR	30kΩ 1/16W J		R542	NRSA63J-473X	MG RESISTOR	47kΩ 1/16W J	
R197	NRSA63J-103X	MG RESISTOR	10kΩ 1/16W J		R543	NRSA63J-474X	MG RESISTOR	470kΩ 1/16W J	
R198	NRSA63J-103X	MG RESISTOR	10kΩ 1/16W J		R544	NRSA63J-103X	MG RESISTOR	10kΩ 1/16W J	
R205	NRSA02J-0R0X	MG RESISTOR	0Ω 1/10W J		R545	NRSA63J-103X	MG RESISTOR	10kΩ 1/16W J	
R247	NRSA63J-473X	MG RESISTOR	47kΩ 1/16W J		R546	NRSA63J-0R0X	MG RESISTOR	0Ω 1/16W J	
R248	NRSA63J-221X	MG RESISTOR	220Ω 1/16W J		R547	NRSA63J-0R0X	MG RESISTOR	0Ω 1/16W J	
R301	NRSA63J-273X	MG RESISTOR	27kΩ 1/16W J		R548	NRSA63J-0R0X	MG RESISTOR	0Ω 1/16W J	
R302	NRSA63J-273X	MG RESISTOR	27kΩ 1/16W J		R549	NRSA63J-101X	MG RESISTOR	100Ω 1/16W J	
R311	NRSA63J-273X	MG RESISTOR	27kΩ 1/16W J		R550	NRSA63J-101X	MG RESISTOR	100Ω 1/16W J	
R312	NRSA63J-273X	MG RESISTOR	27kΩ 1/16W J		R551	NRSA63J-101X	MG RESISTOR	100Ω 1/16W J	
R341	NRSA63J-222X	MG RESISTOR	2.2kΩ 1/16W J		R552	NRSA63J-101X	MG RESISTOR	100Ω 1/16W J	
R342	NRSA63J-821X	MG RESISTOR	820Ω 1/16W J		R553	NRSA63J-105X	MG RESISTOR	1MΩ 1/16W J	
R343	NRSA02J-101X	MG RESISTOR	100Ω 1/10W J		R558	NRSA63J-103X	MG RESISTOR	10kΩ 1/16W J	
R351	NRSA63J-222X	MG RESISTOR	2.2kΩ 1/16W J		R559	NRSA63J-155X	MG RESISTOR	1.5MΩ 1/16W J	
R352	NRSA63J-821X	MG RESISTOR	820Ω 1/16W J		R581	NRSA63J-822X	MG RESISTOR	8.2kΩ 1/16W J	
R353	NRSA02J-101X	MG RESISTOR	100Ω 1/10W J		R582	NRSA63J-822X	MG RESISTOR	8.2kΩ 1/16W J	
R402	NRSA63J-470X	MG RESISTOR	47Ω 1/16W J		R583	NRSA63J-822X	MG RESISTOR	8.2kΩ 1/16W J	
R403	NRSA63J-105X	MG RESISTOR	1MΩ 1/16W J		R584	NRSA63J-181X	MG RESISTOR	180Ω 1/16W J	
R404	NRSA63J-103X	MG RESISTOR	10kΩ 1/16W J		R585	NRSA63J-181X	MG RESISTOR	180Ω 1/16W J	
R405	NRSA63J-202X	MG RESISTOR	2kΩ 1/16W J		R586	NRSA63J-682X	MG RESISTOR	6.8kΩ 1/16W J	
R406	NRSA63J-470X	MG RESISTOR	47Ω 1/16W J		R587	NRSA63J-102X	MG RESISTOR	1kΩ 1/16W J	
R407	NRSA63J-222X	MG RESISTOR	2.2kΩ 1/16W J		R588	NRSA63J-102X	MG RESISTOR	1kΩ 1/16W J	
R408	NRSA63J-222X	MG RESISTOR	2.2kΩ 1/16W J		R591	NRSA63J-822X	MG RESISTOR	8.2kΩ 1/16W J	
R409	NRSA63J-222X	MG RESISTOR	2.2kΩ 1/16W J		R592	NRSA63J-822X	MG RESISTOR	8.2kΩ 1/16W J	
R412	NRSA63J-472X	MG RESISTOR	4.7kΩ 1/16W J		R593	NRSA63J-822X	MG RESISTOR	8.2kΩ 1/16W J	
R413	NRSA63J-472X	MG RESISTOR	4.7kΩ 1/16W J		R594	NRSA63J-181X	MG RESISTOR	180Ω 1/16W J	
R414	NRSA63J-472X	MG RESISTOR	4.7kΩ 1/16W J		R595	NRSA63J-181X	MG RESISTOR	180Ω 1/16W J	
R415	NRSA63J-102X	MG RESISTOR	1kΩ 1/16W J		R596	NRSA63J-682X	MG RESISTOR	6.8kΩ 1/16W J	
R416	NRSA63J-473X	MG RESISTOR	47kΩ 1/16W J		R597	NRSA63J-102X	MG RESISTOR	1kΩ 1/16W J	
R417	NRSA63J-0R0X	MG RESISTOR	0Ω 1/16W J		R598	NRSA63J-102X	MG RESISTOR	1kΩ 1/16W J	
R423	NRSA63J-103X	MG RESISTOR	10kΩ 1/16W J		R701	NRSA63J-473X	MG RESISTOR	47kΩ 1/16W J	
R424	NRSA63J-221X	MG RESISTOR	220Ω 1/16W J		R702	NRSA63J-103X	MG RESISTOR	10kΩ 1/16W J	
R433	NRSA63J-470X	MG RESISTOR	47Ω 1/16W J		R703	NRSA63J-101X	MG RESISTOR	100Ω 1/16W J	
R440	NRSA63J-472X	MG RESISTOR	4.7kΩ 1/16W J		R704	NRSA63J-473X	MG RESISTOR	47kΩ 1/16W J	
R451	NRSA63J-223X	MG RESISTOR	22kΩ 1/16W J		R705	NRSA63J-473X	MG RESISTOR	47kΩ 1/16W J	
R452	NRSA63J-473X	MG RESISTOR	47kΩ 1/16W J		R707	NRSA63J-473X	MG RESISTOR	47kΩ 1/16W J	
R453	NRSA63J-222X	MG RESISTOR	2.2kΩ 1/16W J		R708	NRSA63J-332X	MG RESISTOR	3.3kΩ 1/16W J	
R454	NRSA63J-472X	MG RESISTOR	4.7kΩ 1/16W J		R714	NRSA63J-103X	MG RESISTOR	10kΩ 1/16W J	
R455	NRSA63J-222X	MG RESISTOR	2.2kΩ 1/16W J		R715	NRSA63J-102X	MG RESISTOR	1kΩ 1/16W J	
R456	NRSA63J-472X	MG RESISTOR	4.7kΩ 1/16W J		R716	NRSA63J-102X	MG RESISTOR	1kΩ 1/16W J	
R457	NRSA63J-222X	MG RESISTOR	2.2kΩ 1/16W J		R717	NRSA63J-0R0X	MG RESISTOR	0Ω 1/16W J	
R458	NRSA63J-472X	MG RESISTOR	4.7kΩ 1/16W J		R718	NRSA63J-0R0X	MG RESISTOR	0Ω 1/16W J	
R459	NRSA02J-101X	MG RESISTOR	100Ω 1/10W J		R719	NRSA63J-0R0X	MG RESISTOR	0Ω 1/16W J	
R460	NRSA02J-101X	MG RESISTOR	100Ω 1/10W J		R720	NRSA63J-122X	MG RESISTOR	1.2kΩ 1/16W J	
R481	NRSA02J-181X	MG RESISTOR	180Ω 1/10W J		R721	NRSA63J-102X	MG RESISTOR	1kΩ 1/16W J	
R501	NRSA63J-333X	MG RESISTOR	33kΩ 1/16W J		R722	NRSA63J-103X	MG RESISTOR	10kΩ 1/16W J	
R502	NRSA63J-822X	MG RESISTOR	8.2kΩ 1/16W J		R723	NRSA63J-103X	MG RESISTOR	10kΩ 1/16W J	
R503	NRSA63J-472X	MG RESISTOR	4.7kΩ 1/16W J		R725	NRSA63J-103X	MG RESISTOR	10kΩ 1/16W J	
R504	NRSA63J-153X	MG RESISTOR	15kΩ 1/16W J		R726	NRSA63J-103X	MG RESISTOR	10kΩ 1/16W J	
R507	NRSA63J-682X	MG RESISTOR	6.8kΩ 1/16W J		R728	NRSA63J-103X	MG RESISTOR	10kΩ 1/16W J	
R508	NRSA63J-302X	MG RESISTOR	3kΩ 1/16W J		R729	NRSA63J-473X	MG RESISTOR	47kΩ 1/16W J	
R509	NRSA63J-123X	MG RESISTOR	12kΩ 1/16W J		R730	NRSA63J-103X	MG RESISTOR	10kΩ 1/16W J	
R510	NRSA63J-822X	MG RESISTOR	8.2kΩ 1/16W J		R732	NRSA63J-103X	MG RESISTOR	10kΩ 1/16W J	
R511	NRSA63J-152X	MG RESISTOR	1.5kΩ 1/16W J		R734	NRSA63J-222X	MG RESISTOR	2.2kΩ 1/16W J	
R512	NRSA63J-152X	MG RESISTOR	1.5kΩ 1/16W J		R735	NRSA63J-222X	MG RESISTOR	2.2kΩ 1/16W J	
R513	NRSA63J-152X	MG RESISTOR	1.5kΩ 1/16W J		R736	NRSA63J-222X	MG RESISTOR	2.2kΩ 1/16W J	
R514	NRSA02J-220X	MG RESISTOR	22Ω 1/10W J		R741	NRSA63J-103X	MG RESISTOR	10kΩ 1/16W J	
R515	NRSA02J-220X	MG RESISTOR	22Ω 1/10W J		R742	NRSA63J-103X	MG RESISTOR	10kΩ 1/16W J	
R516	NRSA02J-331X	MG RESISTOR	330Ω 1/10W J		R743	NRSA63J-103X	MG RESISTOR	10kΩ 1/16W J	
R517	NRSA63J-822X	MG RESISTOR	8.2kΩ 1/16W J		R744	NRSA63J-103X	MG RESISTOR	10kΩ 1/16W J	
R518	NRSA63J-512X	MG RESISTOR	5.1kΩ 1/16W J		R745	NRSA63J-103X	MG RESISTOR	10kΩ 1/16W J	
R523	NRSA63J-823X	MG RESISTOR	82kΩ 1/16W J		R747	NRSA63J-472X	MG RESISTOR	4.7kΩ 1/16W J	
R524	NRSA63J-823X	MG RESISTOR	82kΩ 1/16W J		R748	NRSA63J-472X	MG RESISTOR	4.7kΩ 1/16W J	
R525	NRSA63J-334X	MG RESISTOR	330kΩ 1/16W J		R749	NRSA63J-472X	MG RESISTOR	4.7kΩ 1/16W J	
R526	NRSA63J-334X	MG RESISTOR	330kΩ 1/16W J		R751	NRSA63J-103X	MG RESISTOR	10kΩ 1/16W J	
R527	NRSA02J-220X	MG RESISTOR	22Ω 1/10W J		R752	NRSA63J-473X	MG RESISTOR	47kΩ 1/16W J	
R528	NRSA02J-220X	MG RESISTOR	22Ω 1/10W J		R753	NRSA63J-473X	MG RESISTOR	47kΩ 1/16W J	
R529	NRSA63J-823X	MG RESISTOR	82kΩ 1/16W J		R754	NRSA63J-821X	MG RESISTOR	820Ω 1/16W J	
R530	NRSA63J-563X	MG RESISTOR	56kΩ 1/16W J		R755	NRSA63J-106X	MG RESISTOR	10MΩ 1/16W J	
R531	NRSA63J-103X	MG RESISTOR	10kΩ 1/16W J		R756	NRSA63J-473X	MG RESISTOR	47kΩ 1/16W J	
R532	NRSA63J-202X	MG RESISTOR	2kΩ 1/16W J		R757	NRSA63J-222X	MG RESISTOR	2.2kΩ 1/16W J	
R533	NRSA63J-102X	MG RESISTOR	1kΩ 1/16W J		R758	NRSA63J-473X	MG RESISTOR	47kΩ 1/16W J	

△ Symbol No.	Part No.	Part Name	Description	Local	△ Symbol No.	Part No.	Part Name	Description	Local
R760	NRSA63J-473X	MG RESISTOR	47kΩ 1/16W J		D611	SML-310VT/JK/-X	LED		
R761	NRSA63J-473X	MG RESISTOR	47kΩ 1/16W J		D612	SML-310VT/JK/-X	LED		
R763	NRSA63J-102X	MG RESISTOR	1kΩ 1/16W J		D613	SML-310VT/JK/-X	LED		
R766	NRSA63J-222X	MG RESISTOR	2.2kΩ 1/16W J		D614	SML-310VT/JK/-X	LED		
R767	NRSA63J-223X	MG RESISTOR	22kΩ 1/16W J		D615	SML-310VT/JK/-X	LED		
R771	NRSA63J-271X	MG RESISTOR	270Ω 1/16W J		D616	SML-310VT/JK/-X	LED		
R772	NRSA63J-271X	MG RESISTOR	270Ω 1/16W J		D617	SML-310VT/JK/-X	LED		
R780	NRSA63J-333X	MG RESISTOR	33kΩ 1/16W J		D618	SML-310LT/MN/-X	LED		
R781	NRSA63J-473X	MG RESISTOR	47kΩ 1/16W J		D631	NSPW310BS/BRS/	LED		
R782	NRSA63J-473X	MG RESISTOR	47kΩ 1/16W J		D632	NSPW310BS/BRS/	LED		
R783	NRSA63J-272X	MG RESISTOR	2.7kΩ 1/16W J		D641	MA8051/M/-X	Z DIODE		
R784	NRSA63J-473X	MG RESISTOR	47kΩ 1/16W J		D643	MA111-X	SI DIODE		
R793	NRS181J-0R0X	MG RESISTOR	0Ω 1/8W J		D644	MA8062/M/-X	Z DIODE		
R891	NRSA63J-102X	MG RESISTOR	1kΩ 1/16W J		C601	NCB31HK-223X	C CAPACITOR	0.022uF 50V K	
R892	NRSA63J-473X	MG RESISTOR	47kΩ 1/16W J		C602	NCS31HJ-681X	C CAPACITOR	680pF 50V J	
R901	QRE142J-102X	C RESISTOR	1kΩ 1/4W J		C603	NBE20JM-106X	TA E CAPACITOR	10uF 6.3V M	
R902	NRSA02J-912X	MG RESISTOR	9.1kΩ 1/10W J		C611	NCB31HK-123X	C CAPACITOR	0.012uF 50V K	
R903	NRSA02J-472X	MG RESISTOR	4.7kΩ 1/10W J		C612	NBE20JM-475X	TA E CAPACITOR	4.7uF 6.3V M	
R971	NRS181J-222X	MG RESISTOR	2.2kΩ 1/8W J		R601	NRSA63J-821X	MG RESISTOR	820Ω 1/16W J	
R972	NRS181J-222X	MG RESISTOR	2.2kΩ 1/8W J		R602	NRSA63J-821X	MG RESISTOR	820Ω 1/16W J	
R976	NRSA02J-273X	MG RESISTOR	27kΩ 1/10W J		R603	NRSA63J-122X	MG RESISTOR	1.2kΩ 1/16W J	
R977	NRSA02J-123X	MG RESISTOR	12kΩ 1/10W J		R604	NRSA63J-182X	MG RESISTOR	1.8kΩ 1/16W J	
RA30	NRZ0065-222X	NET RESISTOR	2.2kΩ		R605	NRSA63J-821X	MG RESISTOR	820Ω 1/16W J	
RA550	NRZ0065-103X	NET RESISTOR	10kΩ		R606	NRSA63J-821X	MG RESISTOR	820Ω 1/16W J	
RA701	NRZ0065-102X	MG RESISTOR	1kΩ		R607	NRSA63J-122X	MG RESISTOR	1.2kΩ 1/16W J	
L1	QQL244J-4R7Z	COIL	4.7uH J		R608	NRSA63J-182X	MG RESISTOR	1.8kΩ 1/16W J	
L401	NQL114K-470X	INDUCITOR	47uH K		R609	NRSA63J-272X	MG RESISTOR	2.7kΩ 1/16W J	
L402	NQL114K-470X	INDUCITOR	47uH K		R610	NRSA63J-392X	MG RESISTOR	3.9kΩ 1/16W J	
L404	NQL114K-470X	INDUCITOR	47uH K		R611	NRSA63J-821X	MG RESISTOR	820Ω 1/16W J	
L541	QQL244J-470Z	COIL	47uH J		R612	NRSA63J-821X	MG RESISTOR	820Ω 1/16W J	
L543	QQL244J-470Z	COIL	47uH J		R613	NRSA63J-122X	MG RESISTOR	1.2kΩ 1/16W J	
L544	QQL244J-470Z	COIL	47uH J		R614	NRSA63J-182X	MG RESISTOR	1.8kΩ 1/16W J	
L701	NQL114M-4R7X	COIL	4.7uH M		R615	NRSA63J-272X	MG RESISTOR	2.7kΩ 1/16W J	
L702	NQL114M-4R7X	COIL	4.7uH M		R627	NRSA02J-391X	MG RESISTOR	390Ω 1/10W J	
L901	QQR0703-001	CHOKO COIL			R628	NRSA02J-391X	MG RESISTOR	390Ω 1/10W J	
CN501	QGB2027M4-22S	CONNECTOR	B-B (1-22)		R629	NRSA63J-821X	MG RESISTOR	820Ω 1/16W J	
CN701	QGZ1601J1-15	CONNECTOR	(1-15)		R630	NRSA63J-132X	MG RESISTOR	1.3kΩ 1/16W J	
CN702	QGA2006F1-02	CONNECTOR	W-B (1-2)		R631	NRSA63J-132X	MG RESISTOR	1.3kΩ 1/16W J	
CN901	QNZ0650-001	CAR CONNECTOR			R632	NRSA63J-331X	MG RESISTOR	330Ω 1/16W J	
J1	QNB0100-002	CAR ANT JACK			R634	NRSA63J-821X	MG RESISTOR	820Ω 1/16W J	
J321	QNN0519-001	PIN JACK			R636	NRSA63J-471X	MG RESISTOR	470Ω 1/16W J	
PP2	QZW0010-001	STYLE PIN			R638	NRSA63J-681X	MG RESISTOR	680Ω 1/16W J	
TU1	QAU0222-001	TUNER PACK			R640	NRSA63J-471X	MG RESISTOR	470Ω 1/16W J	
X31	QAX0616-001Z	CRYSTAL	10.250MHz		R642	NRSA63J-132X	MG RESISTOR	1.3kΩ 1/16W J	
X71	QAX0263-001Z	CRYSTAL	4.332MHz		R643	NRSA63J-132X	MG RESISTOR	1.3kΩ 1/16W J	
X401	QAX0760-001Z	CRYSTAL			R644	NRSA63J-331X	MG RESISTOR	330Ω 1/16W J	
X701	QAX0617-001Z	CRYSTAL	12.500MHz		R651	NRSA63J-222X	MG RESISTOR	2.2kΩ 1/16W J	
X702	QAX0401-001	CRYSTAL	32.768KHz		R652	NRSA63J-222X	MG RESISTOR	2.2kΩ 1/16W J	
					R653	NRSA63J-103X	MG RESISTOR	10kΩ 1/16W J	
					R654	NRSA63J-103X	MG RESISTOR	10kΩ 1/16W J	
					R655	NRSA63J-103X	MG RESISTOR	10kΩ 1/16W J	
					R656	NRSA63J-103X	MG RESISTOR	10kΩ 1/16W J	
					R657	NRSA63J-513X	MG RESISTOR	51kΩ 1/16W J	
					R658	NRSA63J-184X	MG RESISTOR	180kΩ 1/16W J	
					R661	NRSA63J-103X	MG RESISTOR	10kΩ 1/16W J	
					R662	NRSA63J-471X	MG RESISTOR	470Ω 1/16W J	
					R671	NRSA02J-471X	MG RESISTOR	470Ω 1/10W J	
					R672	NRSA02J-473X	MG RESISTOR	47kΩ 1/10W J	
					R673	NRSA02J-102X	MG RESISTOR	1kΩ 1/10W J	

Switch Board (KD-G311,KD-G312_E2,EX2,EY2,EU2)

Block No. [0][4]

△ Symbol No.	Part No.	Part Name	Description	Local
IC601	PT6523LQ-L	LCD DRIVER		
IC602	RPM7338-V4	RM.RECEIVER		
Q671	2SB624/4/-X	TRANSISTOR		
Q672	UN2211-X	TRANSISTOR		
D601	SML-310VT/JK/-X	LED		
D602	SML-310VT/JK/-X	LED		
D603	SML-310VT/JK/-X	LED		
D604	SML-310VT/JK/-X	LED		
D605	SML-310VT/JK/-X	LED		
D606	SML-310VT/JK/-X	LED		
D607	SML-310VT/JK/-X	LED		
D608	SML-310LT/MN/-X	LED		
D609	SML-310LT/MN/-X	LED		
D610	SML-310VT/JK/-X	LED		
CJ601	QGZ1601K1-15S	CONNECTOR	(1-15)	
S601	NSW0124-001X	TACT SW		
S602	NSW0124-001X	TACT SW		
S603	NSW0124-001X	TACT SW		
S604	NSW0124-001X	TACT SW		
S605	NSW0124-001X	TACT SW		
S606	NSW0124-001X	TACT SW		
S607	NSW0124-001X	TACT SW		
S608	NSW0124-001X	TACT SW		
S609	NSW0124-001X	TACT SW		
S610	NSW0124-001X	TACT SW		
S611	NSW0124-001X	TACT SW		
S612	NSW0124-001X	TACT SW		
S613	NSW0124-001X	TACT SW		
S614	NSW0124-001X	TACT SW		
S615	NSW0124-001X	TACT SW		

△ Symbol No.	Part No.	Part Name	Description	Local
S616	NSW0124-001X	TACT SW		
S617	NSW0124-001X	TACT SW		
S618	NSW0124-001X	TACT SW		

Main board (KD-G317_EE)

Block No. [0][5]

△ Symbol No.	Part No.	Part Name	Description	Local
IC31	TB2118F-X	PLL IC		
IC71	LC72725M-X	IC		
IC161	NJW1191V-X	IC		
IC171	NJM4565M-WE	IC		
IC301	LA47516	POWER IC		
IC401	TC94A34FG-002	IC		
IC461	NJU7772F15-X	IC		
IC481	AK4385ET-X	IC		
IC491	SN74AHCT1G04K-X	IC		
IC501	LA6242H-X	IC		
IC521	TA2157FN-X	RF AMP IC		
IC541	TC94A14FA	CD LSI IC		
IC581	NJM4565M-WE	IC		
IC701	UPD784217AGC307	IC		
IC702	IC-PST3433U-X	IC		
IC771	BR24L16F-W-X	IC		
IC901	HA13164A	IC		
Q1	2SD601A/QR/-X	TRANSISTOR		
Q2	2SD601A/QR/-X	TRANSISTOR		
Q3	UN2111-X	TRANSISTOR		
Q5	2SB709A/R/-X	TRANSISTOR		
Q6	2SB624/4/-X	TRANSISTOR		
Q7	UN2211-X	TRANSISTOR		
Q10	UN2211-X	TRANSISTOR		
Q31	UN2211-X	TRANSISTOR		
Q51	2SD601A/QR/-X	TRANSISTOR		
Q52	2SD601A/QR/-X	TRANSISTOR		
Q53	UN2211-X	TRANSISTOR		
Q81	2SD601A/QR/-X	TRANSISTOR		
Q84	UN2111-X	TRANSISTOR		
Q91	2SD601A/QR/-X	TRANSISTOR		
Q341	KTD1304-X	TRANSISTOR		
Q351	KTD1304-X	TRANSISTOR		
Q440	UN2211-X	TRANSISTOR		
Q501	2SB1322/RS/-T	TRANSISTOR		
Q502	2SB1132/QR/-W	TRANSISTOR		
Q521	2SB1241/QR/-T	TRANSISTOR		
Q541	UN2111-X	TRANSISTOR		
Q542	UN2211-X	TRANSISTOR		
Q543	UN2111-X	TRANSISTOR		
Q544	2SB624/4/-X	TRANSISTOR		
Q545	UN2211-X	TRANSISTOR		
Q781	UN2111-X	TRANSISTOR		
Q782	UN2213-X	DIGI TRANSISTOR		
Q784	UN2111-X	TRANSISTOR		
Q891	UN2211-X	TRANSISTOR		
Q976	UN2211-X	TRANSISTOR		
Q977	2SB709A/QR/-X	TRANSISTOR		
D1	MA111-X	SI DIODE		
D2	MA111-X	SI DIODE		
D4	MA111-X	SI DIODE		
D5	MA111-X	SI DIODE		
D84	MA111-X	SI DIODE		
D341	MA111-X	SI DIODE		
D351	MA111-X	SI DIODE		
D481	MA8051/M/-X	Z DIODE		
D701	MA8062/M/-X	Z DIODE		
D702	MA8062/M/-X	Z DIODE		
D703	MA8062/M/-X	Z DIODE		
D704	MA8062/M/-X	Z DIODE		
D705	MA8062/M/-X	Z DIODE		
D706	MA8062/M/-X	Z DIODE		
D709	MA8062/M/-X	Z DIODE		

△ Symbol No.	Part No.	Part Name	Description	Local
D710	MA8062/M/-X	Z DIODE		
D711	MA8062/M/-X	Z DIODE		
D713	MA111-X	SI DIODE		
D781	MA111-X	SI DIODE		
D782	MA111-X	SI DIODE		
D784	MA8091/M/-X	Z DIODE		
D891	MA111-X	SI DIODE		
D892	MA111-X	SI DIODE		
D901	1N5401-F64	DIODE		
D902	MA111-X	SI DIODE		
D971	RB160M-30-X	SB DIODE		
D972	RB160M-30-X	SB DIODE		

C1	QEJ1CM-226Z	E CAPACITOR	22uF 16V M	
C2	NCB31EK-473X	C CAPACITOR	0.047uF 25V K	
C3	QEJ1CM-226Z	E CAPACITOR	22uF 16V M	
C4	QEJ1AM-227Z	E CAPACITOR	220uF 10V M	
C5	QEJ1HM-105Z	E CAPACITOR	1uF 50V M	
C6	NCB31HK-103X	C CAPACITOR	0.01uF 50V K	
C9	QEJ1AM-227Z	E CAPACITOR	220uF 10V M	
C31	QEJ1AM-107Z	E CAPACITOR	100uF 10V M	
C32	NDC31HJ-470X	C CAPACITOR	47pF 50V J	
C33	QEJ1JM-476Z	E CAPACITOR	47uF 6.3V M	
C34	NCB31EK-473X	C CAPACITOR	0.047uF 25V K	
C35	NDC31HJ-100X	C CAPACITOR	10pF 50V J	
C36	NDC31HJ-7R0X	C CAPACITOR	7pF 50V J	
C37	NDC31HJ-100X	C CAPACITOR	10pF 50V J	
C38	NCB31HK-102X	C CAPACITOR	1000pF 50V K	
C39	NCB31HK-102X	C CAPACITOR	1000pF 50V K	
C40	QEJ1CM-106Z	E CAPACITOR	10uF 16V M	
C41	NCB31EK-473X	C CAPACITOR	0.047uF 25V K	
C42	NCB31HK-103X	C CAPACITOR	0.01uF 50V K	
C43	QFV61HJ-473Z	MF CAPACITOR	0.047uF 50V J	
C44	NCB31EK-333X	C CAPACITOR	0.033uF 25V K	
C45	NCB31HK-682X	C CAPACITOR	6800pF 50V K	
C46	NCB31HK-103X	C CAPACITOR	0.01uF 50V K	
C47	NCB31HK-103X	C CAPACITOR	0.01uF 50V K	
C48	NCB31EK-473X	C CAPACITOR	0.047uF 25V K	
C49	NCB31HK-102X	C CAPACITOR	1000pF 50V K	
C50	NDC31HJ-101X	C CAPACITOR	100pF 50V J	
C51	NDC31HJ-331X	C CAPACITOR	330pF 50V J	
C52	NCB31HK-103X	C CAPACITOR	0.01uF 50V K	
C53	NCB31EK-472X	C CAPACITOR	4700pF 25V K	
C54	NCB31EK-104X	C CAPACITOR	0.1uF 25V K	
C55	QEJ1HM-474Z	E CAPACITOR	0.47uF 50V M	
C71	NDC31HJ-561X	C CAPACITOR	560pF 50V J	
C72	NDC31HJ-331X	C CAPACITOR	330pF 50V J	
C73	QEJ1CM-106Z	E CAPACITOR	10uF 16V M	
C74	NDC31HJ-820X	C CAPACITOR	82pF 50V J	
C75	NDC31HJ-470X	C CAPACITOR	47pF 50V J	
C76	NCB31HK-103X	C CAPACITOR	0.01uF 50V K	
C77	QEJ1JM-476Z	E CAPACITOR	47uF 6.3V M	
C78	NCB31HK-103X	C CAPACITOR	0.01uF 50V K	
C81	QEJ1HM-105Z	E CAPACITOR	1uF 50V M	
C83	NCB31EK-104X	C CAPACITOR	0.1uF 25V K	
C84	NCB31HK-183X	C CAPACITOR	0.018uF 50V K	
C91	QEJ1HM-105Z	E CAPACITOR	1uF 50V M	
C94	NCB31HK-183X	C CAPACITOR	0.018uF 50V K	
C156	NCB21CK-474X	C CAPACITOR	0.47uF 16V K	
C157	NCB21CK-474X	C CAPACITOR	0.47uF 16V K	
C158	NCB31HK-472X	C CAPACITOR	4700pF 50V K	
C159	NCB31HK-472X	C CAPACITOR	4700pF 50V K	
C161	QTE1H54-225Z	E CAPACITOR	2.2uF 50V	
C162	QEJ1HM-105Z	E CAPACITOR	1uF 50V M	
C164	NCB31HK-471X	C CAPACITOR	470pF 50V K	
C165	NCB31AK-154X	C CAPACITOR	0.15uF 10V K	
C166	NCB31HK-472X	C CAPACITOR	4700pF 50V K	
C167	NCB31CK-104X	C CAPACITOR	0.1uF 16V K	
C169	QEJ1CM-106Z	E CAPACITOR	10uF 16V M	
C170	QEJ1CM-106Z	E CAPACITOR	10uF 16V M	
C171	QTE1H54-225Z	E CAPACITOR	2.2uF 50V	
C172	QEJ1HM-105Z	E CAPACITOR	1uF 50V M	
C174	NCB31HK-471X	C CAPACITOR	470pF 50V K	
C175	NCB31AK-154X	C CAPACITOR	0.15uF 10V K	
C176	NCB31HK-472X	C CAPACITOR	4700pF 50V K	
C177	NCB31CK-104X	C CAPACITOR	0.1uF 16V K	
C179	QEJ1CM-106Z	E CAPACITOR	10uF 16V M	
C180	QEJ1CM-106Z	E CAPACITOR	10uF 16V M	

△ Symbol No.	Part No.	Part Name	Description	Local	△ Symbol No.	Part No.	Part Name	Description	Local
C183	NCB31HK-152X	C CAPACITOR	1500pF 50V K		C528	NCB31HK-103X	C CAPACITOR	0.01uF 50V K	
C184	NDC31HJ-151X	C CAPACITOR	150pF 50V J		C529	QEKJ0JM-107Z	E CAPACITOR	100uF 6.3V M	
C185	QEKJ0JM-476Z	E CAPACITOR	47uF 6.3V M		C530	NCB31EK-104X	C CAPACITOR	0.1uF 25V K	
C186	NCB31HK-152X	C CAPACITOR	1500pF 50V K		C531	NCB31EK-104X	C CAPACITOR	0.1uF 25V K	
C187	NDC31HJ-151X	C CAPACITOR	150pF 50V J		C532	NDC31HJ-680X	C CAPACITOR	68pF 50V J	
C188	QEKJ1CM-476Z	E CAPACITOR	47uF 16V M		C533	NCB31HK-103X	C CAPACITOR	0.01uF 50V K	
C189	NCB31EK-103X	C CAPACITOR	0.01uF 25V K		C534	NDC31HJ-5R0X	C CAPACITOR	5pF 50V J	
C191	QEKJ1HM-225Z	E CAPACITOR	2.2uF 50V M		C541	QEKJ0JM-107Z	E CAPACITOR	100uF 6.3V M	
C192	QEKJ1HM-225Z	E CAPACITOR	2.2uF 50V M		C542	NCB31HK-103X	C CAPACITOR	0.01uF 50V K	
C193	QEKJ1CM-107Z	E CAPACITOR	100uF 16V M		C543	QEKJ1HM-105Z	E CAPACITOR	1uF 50V M	
C194	NCB31EK-103X	C CAPACITOR	0.01uF 25V K		C544	QEKJ0JM-107Z	E CAPACITOR	100uF 6.3V M	
C195	QEKJ1EM-475Z	E CAPACITOR	4.7uF 25V M		C545	NCB31HK-103X	C CAPACITOR	0.01uF 50V K	
C301	QFV91HJ-474Z	MF CAPACITOR	0.47uF 50V J		C546	NDC31HJ-470X	C CAPACITOR	47pF 50V J	
C302	QFV91HJ-474Z	MF CAPACITOR	0.47uF 50V J		C547	NCB31HK-153X	C CAPACITOR	0.015uF 50V K	
C303	NDC31HJ-101X	C CAPACITOR	100pF 50V J		C548	NCB31HK-103X	C CAPACITOR	0.01uF 50V K	
C304	NDC31HJ-101X	C CAPACITOR	100pF 50V J		C549	NCB31HK-272X	C CAPACITOR	2700pF 50V K	
C307	QEKJ1HM-105Z	E CAPACITOR	1uF 50V M		C550	NCB31HK-103X	C CAPACITOR	0.01uF 50V K	
C308	QEKJ1HM-105Z	E CAPACITOR	1uF 50V M		C551	NCB31EK-333X	C CAPACITOR	0.033uF 25V K	
C311	QFV91HJ-474Z	MF CAPACITOR	0.47uF 50V J		C552	NCB31EK-333X	C CAPACITOR	0.033uF 25V K	
C312	QFV91HJ-474Z	MF CAPACITOR	0.47uF 50V J		C553	NCB31EK-473X	C CAPACITOR	0.047uF 25V K	
C313	NDC31HJ-101X	C CAPACITOR	100pF 50V J		C554	NCB31EK-473X	C CAPACITOR	0.047uF 25V K	
C314	NDC31HJ-101X	C CAPACITOR	100pF 50V J		C555	NCB31EK-473X	C CAPACITOR	0.047uF 25V K	
C315	QEKJ1CM-106Z	E CAPACITOR	10uF 16V M		C556	NCB31HK-471X	C CAPACITOR	470pF 50V K	
C316	QEKJ1EM-475Z	E CAPACITOR	4.7uF 25V M		C557	NCB31HK-471X	C CAPACITOR	470pF 50V K	
C317	QEKJ1CM-476Z	E CAPACITOR	47uF 16V M		C558	NCB31EK-473X	C CAPACITOR	0.047uF 25V K	
C318	QEDJ1CM-226Z	E CAPACITOR	22uF 16V M		C559	NCB31EK-473X	C CAPACITOR	0.047uF 25V K	
C319	NCB31EK-223X	C CAPACITOR	0.022uF 25V K		C560	NCB31HK-103X	C CAPACITOR	0.01uF 50V K	
C320	NCB31EK-223X	C CAPACITOR	0.022uF 25V K		C561	QEKJ0JM-107Z	E CAPACITOR	100uF 6.3V M	
C321	NCB31CK-104X	C CAPACITOR	0.1uF 16V K		C562	NCB31HK-103X	C CAPACITOR	0.01uF 50V K	
C322	NCB31EK-104X	C CAPACITOR	0.1uF 25V K		C565	NCB31HK-103X	C CAPACITOR	0.01uF 50V K	
C323	NCB31EK-104X	C CAPACITOR	0.1uF 25V K		C566	QEKJ0JM-107Z	E CAPACITOR	100uF 6.3V M	
C324	NCB31EK-104X	C CAPACITOR	0.1uF 25V K		C568	NCB31EK-104X	C CAPACITOR	0.1uF 25V K	
C325	NCB31EK-104X	C CAPACITOR	0.1uF 25V K		C569	NCB31HK-103X	C CAPACITOR	0.01uF 50V K	
C331	NCB31CK-104X	C CAPACITOR	0.1uF 16V K		C570	QEKJ0JM-107Z	E CAPACITOR	100uF 6.3V M	
C402	NCB31HK-103X	C CAPACITOR	0.01uF 50V K		C571	NCB31HK-103X	C CAPACITOR	0.01uF 50V K	
C403	NCB31HK-103X	C CAPACITOR	0.01uF 50V K		C572	QEKJ0JM-107Z	E CAPACITOR	100uF 6.3V M	
C404	NCB31HK-103X	C CAPACITOR	0.01uF 50V K		C580	QEKJ1EM-475Z	E CAPACITOR	4.7uF 25V M	
C405	QEKJ1HM-105Z	E CAPACITOR	1uF 50V M		C581	NCB31HK-332X	C CAPACITOR	3300pF 50V K	
C408	NCB31HK-103X	C CAPACITOR	0.01uF 50V K		C582	NDC31HJ-271X	C CAPACITOR	270pF 50V J	
C409	QEKJ0JM-107Z	E CAPACITOR	100uF 6.3V M		C583	NDC31HJ-271X	C CAPACITOR	270pF 50V J	
C411	QEKJ0JM-107Z	E CAPACITOR	100uF 6.3V M		C584	NCB31EK-104X	C CAPACITOR	0.1uF 25V K	
C412	NCB31HK-103X	C CAPACITOR	0.01uF 50V K		C585	QERF0JM-476Z	E CAPACITOR	47uF 6.3V M	
C413	NCB31CK-104X	C CAPACITOR	0.1uF 16V K		C589	QEKJ1EM-475Z	E CAPACITOR	4.7uF 25V M	
C414	NCB31HK-222X	C CAPACITOR	2200pF 50V K		C590	QEKJ1EM-475Z	E CAPACITOR	4.7uF 25V M	
C415	NCB31CK-104X	C CAPACITOR	0.1uF 16V K		C591	NCB31HK-332X	C CAPACITOR	3300pF 50V K	
C416	NCB31HK-103X	C CAPACITOR	0.01uF 50V K		C592	NDC31HJ-271X	C CAPACITOR	270pF 50V J	
C419	NDC31HJ-120X	C CAPACITOR	12pF 50V J		C593	NDC31HJ-271X	C CAPACITOR	270pF 50V J	
C420	NDC31HJ-120X	C CAPACITOR	12pF 50V J		C594	NCB31EK-104X	C CAPACITOR	0.1uF 25V K	
C421	NCB31HK-103X	C CAPACITOR	0.01uF 50V K		C595	QEKJ0JM-476Z	E CAPACITOR	47uF 6.3V M	
C422	QEKJ0JM-107Z	E CAPACITOR	100uF 6.3V M		C596	QEKJ1AM-107Z	E CAPACITOR	100uF 10V M	
C425	NCB31HK-103X	C CAPACITOR	0.01uF 50V K		C597	NCB31HK-103X	C CAPACITOR	0.01uF 50V K	
C430	NCB31HK-103X	C CAPACITOR	0.01uF 50V K		C599	QEKJ1EM-475Z	E CAPACITOR	4.7uF 25V M	
C440	NCB31HK-103X	C CAPACITOR	0.01uF 50V K		C701	NDC31HJ-220X	C CAPACITOR	22pF 50V J	
C461	NCB31EK-104X	C CAPACITOR	0.1uF 25V K		C702	NDC31HJ-270X	C CAPACITOR	27pF 50V J	
C462	QEKJ0JM-107Z	E CAPACITOR	100uF 6.3V M		C703	NDC31HJ-270X	C CAPACITOR	27pF 50V J	
C463	QEKJ0JM-107Z	E CAPACITOR	100uF 6.3V M		C704	NDC31HJ-8R0X	C CAPACITOR	8pF 50V J	
C464	NCB31EK-104X	C CAPACITOR	0.1uF 25V K		C705	NCB31EK-473X	C CAPACITOR	0.047uF 25V K	
C481	QEKJ0JM-476Z	E CAPACITOR	47uF 6.3V M		C706	NCB31EK-473X	C CAPACITOR	0.047uF 25V K	
C482	NCB31EK-104X	C CAPACITOR	0.1uF 25V K		C707	NCB31EK-473X	C CAPACITOR	0.047uF 25V K	
C483	NCB31EK-104X	C CAPACITOR	0.1uF 25V K		C708	NCB31EK-473X	C CAPACITOR	0.047uF 25V K	
C501	QEDJ1AM-476Z	E CAPACITOR	47uF 10V M		C709	NCB31HK-103X	C CAPACITOR	0.01uF 50V K	
C502	NCB31HK-103X	C CAPACITOR	0.01uF 50V K		C710	QEKJ0JM-476Z	E CAPACITOR	47uF 6.3V M	
C503	QEKJ1AM-107Z	E CAPACITOR	100uF 10V M		C711	QEKJ0JM-227Z	E CAPACITOR	220uF 6.3V M	
C504	NCB31EK-473X	C CAPACITOR	0.047uF 25V K		C712	NCB31HK-103X	C CAPACITOR	0.01uF 50V K	
C505	NCB31EK-473X	C CAPACITOR	0.047uF 25V K		C713	NCB31EK-103X	C CAPACITOR	0.01uF 25V K	
C506	NCB31EK-473X	C CAPACITOR	0.047uF 25V K		C716	NCB31EK-104X	C CAPACITOR	0.1uF 25V K	
C507	NCB31EK-473X	C CAPACITOR	0.047uF 25V K		C717	NCB31EK-104X	C CAPACITOR	0.1uF 25V K	
C508	NCB31HK-103X	C CAPACITOR	0.01uF 50V K		C719	NCB31HK-102X	C CAPACITOR	1000pF 50V K	
C509	NCB31EK-103X	C CAPACITOR	0.01uF 25V K		C771	NCB31EK-473X	C CAPACITOR	0.047uF 25V K	
C510	NCB31EK-103X	C CAPACITOR	0.01uF 25V K		C781	QEKJ0JM-107Z	E CAPACITOR	100uF 6.3V M	
C511	NCB31EK-104X	C CAPACITOR	0.1uF 25V K		C782	NCB31EK-823X	C CAPACITOR	0.082uF 25V K	
C512	NCB31HK-103X	C CAPACITOR	0.01uF 50V K		C783	NCB31EK-103X	C CAPACITOR	0.01uF 25V K	
C521	NCB31HK-103X	C CAPACITOR	0.01uF 50V K		C784	QEKJ1CM-107Z	E CAPACITOR	100uF 16V M	
C522	NCB31HK-103X	C CAPACITOR	0.01uF 50V K		C891	NCB31EK-104X	C CAPACITOR	0.1uF 25V K	
C523	QEKJ0JM-107Z	E CAPACITOR	100uF 6.3V M		C901	QEZ0675-338	E CAPACITOR	3300uF	
C524	NCB31HK-103X	C CAPACITOR	0.01uF 50V K		C902	QEKJ1HM-225Z	E CAPACITOR	2.2uF 50V M	
C525	QEKJ0JM-107Z	E CAPACITOR	100uF 6.3V M		C903	QEKJ1CM-476Z	E CAPACITOR	47uF 16V M	
C527	NCB31HK-682X	C CAPACITOR	6800pF 50V K		C904	QEDJ1CM-106Z	E CAPACITOR	10uF 16V M	

△ Symbol No.	Part No.	Part Name	Description	Local	△ Symbol No.	Part No.	Part Name	Description	Local
C905	QEKJ1CM-476Z	E CAPACITOR	47uF 16V M		R185	NRSA63J-303X	MG RESISTOR	30kΩ 1/16W J	
C906	NCB31HK-103X	C CAPACITOR	0.01uF 50V K		R186	NRSA63J-103X	MG RESISTOR	10kΩ 1/16W J	
C907	QEKJ1AM-227Z	E CAPACITOR	220uF 10V M		R187	NRSA63J-123X	MG RESISTOR	12kΩ 1/16W J	
C908	QEKJ0JM-227Z	E CAPACITOR	220uF 6.3V M		R188	NRSA63J-303X	MG RESISTOR	30kΩ 1/16W J	
C909	QEKJ0JM-227Z	E CAPACITOR	220uF 6.3V M		R197	NRSA63J-103X	MG RESISTOR	10kΩ 1/16W J	
C910	QEKJ1CM-106Z	E CAPACITOR	10uF 16V M		R198	NRSA63J-103X	MG RESISTOR	10kΩ 1/16W J	
C911	NCB31CK-104X	C CAPACITOR	0.1uF 16V K		R201	NCB31CK-105X	C CAPACITOR	1uF 16V K	
C912	NCB31HK-103X	C CAPACITOR	0.01uF 50V K		R202	NCB31CK-105X	C CAPACITOR	1uF 16V K	
C913	QEKJ1CM-106Z	E CAPACITOR	10uF 16V M		R205	NRSA02J-0R0X	MG RESISTOR	0Ω 1/10W J	
C914	QEKJ1CM-107Z	E CAPACITOR	100uF 16V M		R247	NRSA63J-473X	MG RESISTOR	47kΩ 1/16W J	
C915	NCB31CK-104X	C CAPACITOR	0.1uF 16V K		R248	NRSA63J-221X	MG RESISTOR	220Ω 1/16W J	
C961	NDC31HJ-101X	C CAPACITOR	100pF 50V J		R301	NRSA63J-273X	MG RESISTOR	27kΩ 1/16W J	
C962	NDC31HJ-101X	C CAPACITOR	100pF 50V J		R302	NRSA63J-273X	MG RESISTOR	27kΩ 1/16W J	
C963	NDC31HJ-101X	C CAPACITOR	100pF 50V J		R311	NRSA63J-273X	MG RESISTOR	27kΩ 1/16W J	
C964	NDC31HJ-101X	C CAPACITOR	100pF 50V J		R312	NRSA63J-273X	MG RESISTOR	27kΩ 1/16W J	
C965	NDC31HJ-101X	C CAPACITOR	100pF 50V J		R341	NRSA63J-222X	MG RESISTOR	2.2kΩ 1/16W J	
C966	NDC31HJ-101X	C CAPACITOR	100pF 50V J		R342	NRSA63J-821X	MG RESISTOR	820Ω 1/16W J	
C967	NDC31HJ-101X	C CAPACITOR	100pF 50V J		R343	NRSA02J-101X	MG RESISTOR	100Ω 1/10W J	
C968	NDC31HJ-101X	C CAPACITOR	100pF 50V J		R351	NRSA63J-222X	MG RESISTOR	2.2kΩ 1/16W J	
C971	NCB31EK-104X	C CAPACITOR	0.1uF 25V K		R352	NRSA63J-821X	MG RESISTOR	820Ω 1/16W J	
R1	NRS181J-100X	MG RESISTOR	10Ω 1/8W J		R353	NRSA02J-101X	MG RESISTOR	100Ω 1/10W J	
R2	NRSA63J-473X	MG RESISTOR	47kΩ 1/16W J		R402	NRSA63J-470X	MG RESISTOR	47Ω 1/16W J	
R3	NRSA63J-472X	MG RESISTOR	4.7kΩ 1/16W J		R403	NRSA63J-105X	MG RESISTOR	1MΩ 1/16W J	
R4	NRSA63J-332X	MG RESISTOR	3.3kΩ 1/16W J		R404	NRSA63J-103X	MG RESISTOR	10kΩ 1/16W J	
R5	NRSA63J-473X	MG RESISTOR	47kΩ 1/16W J		R405	NRSA63J-202X	MG RESISTOR	2kΩ 1/16W J	
R6	NRSA63J-473X	MG RESISTOR	47kΩ 1/16W J		R406	NRSA63J-470X	MG RESISTOR	47Ω 1/16W J	
R7	NRSA63J-472X	MG RESISTOR	4.7kΩ 1/16W J		R407	NRSA63J-222X	MG RESISTOR	2.2kΩ 1/16W J	
R9	NRSA63J-470X	MG RESISTOR	47Ω 1/16W J		R408	NRSA63J-222X	MG RESISTOR	2.2kΩ 1/16W J	
R10	NRSA63J-103X	MG RESISTOR	10kΩ 1/16W J		R409	NRSA63J-222X	MG RESISTOR	2.2kΩ 1/16W J	
R11	NRSA63J-103X	MG RESISTOR	10kΩ 1/16W J		R412	NRSA63J-472X	MG RESISTOR	4.7kΩ 1/16W J	
R31	NRS181J-100X	MG RESISTOR	10Ω 1/8W J		R413	NRSA63J-472X	MG RESISTOR	4.7kΩ 1/16W J	
R32	NRSA63J-622X	MG RESISTOR	6.2kΩ 1/16W J		R414	NRSA63J-472X	MG RESISTOR	4.7kΩ 1/16W J	
R33	NRSA63J-103X	MG RESISTOR	10kΩ 1/16W J		R415	NRSA63J-102X	MG RESISTOR	1kΩ 1/16W J	
R38	NRSA63J-101X	MG RESISTOR	100Ω 1/16W J		R416	NRSA63J-473X	MG RESISTOR	47kΩ 1/16W J	
R39	NRSA63J-0R0X	MG RESISTOR	0Ω 1/16W J		R417	NRSA63J-0R0X	MG RESISTOR	0Ω 1/16W J	
R40	NRSA63J-393X	MG RESISTOR	39kΩ 1/16W J		R423	NRSA63J-103X	MG RESISTOR	10kΩ 1/16W J	
R41	NRSA63J-392X	MG RESISTOR	3.9kΩ 1/16W J		R424	NRSA63J-221X	MG RESISTOR	220Ω 1/16W J	
R42	NRS181J-100X	MG RESISTOR	10Ω 1/8W J		R433	NRSA63J-470X	MG RESISTOR	47Ω 1/16W J	
R43	NRSA63J-471X	MG RESISTOR	470Ω 1/16W J		R440	NRSA63J-472X	MG RESISTOR	4.7kΩ 1/16W J	
R44	NRSA63J-221X	MG RESISTOR	220Ω 1/16W J		R451	NRSA63J-223X	MG RESISTOR	22kΩ 1/16W J	
R51	NRSA63J-273X	MG RESISTOR	27kΩ 1/16W J		R452	NRSA63J-473X	MG RESISTOR	47kΩ 1/16W J	
R52	NRSA63J-473X	MG RESISTOR	47kΩ 1/16W J		R453	NRSA63J-222X	MG RESISTOR	2.2kΩ 1/16W J	
R53	NRSA63J-473X	MG RESISTOR	47kΩ 1/16W J		R454	NRSA63J-472X	MG RESISTOR	4.7kΩ 1/16W J	
R54	NRSA63J-103X	MG RESISTOR	10kΩ 1/16W J		R455	NRSA63J-222X	MG RESISTOR	2.2kΩ 1/16W J	
R55	NRSA63J-222X	MG RESISTOR	2.2kΩ 1/16W J		R456	NRSA63J-472X	MG RESISTOR	4.7kΩ 1/16W J	
R56	NRSA63J-103X	MG RESISTOR	10kΩ 1/16W J		R457	NRSA63J-222X	MG RESISTOR	2.2kΩ 1/16W J	
R57	NRSA63J-153X	MG RESISTOR	15kΩ 1/16W J		R458	NRSA63J-472X	MG RESISTOR	4.7kΩ 1/16W J	
R58	NRSA63J-471X	MG RESISTOR	470Ω 1/16W J		R459	NRSA02J-101X	MG RESISTOR	100Ω 1/10W J	
R59	NRSA63J-473X	MG RESISTOR	47kΩ 1/16W J		R460	NRSA02J-101X	MG RESISTOR	100Ω 1/10W J	
R71	NRSA63J-0R0X	MG RESISTOR	0Ω 1/16W J		R481	NRSA02J-181X	MG RESISTOR	180Ω 1/10W J	
R72	NRSA63J-222X	MG RESISTOR	2.2kΩ 1/16W J		R501	NRSA63J-333X	MG RESISTOR	33kΩ 1/16W J	
R73	NRSA63J-222X	MG RESISTOR	2.2kΩ 1/16W J		R502	NRSA63J-822X	MG RESISTOR	8.2kΩ 1/16W J	
R74	NRSA02J-101X	MG RESISTOR	100Ω 1/10W J		R503	NRSA63J-472X	MG RESISTOR	4.7kΩ 1/16W J	
R75	NRSA63J-202X	MG RESISTOR	2kΩ 1/16W J		R504	NRSA63J-153X	MG RESISTOR	15kΩ 1/16W J	
R81	NRSA63J-0R0X	MG RESISTOR	0Ω 1/16W J		R507	NRSA63J-682X	MG RESISTOR	6.8kΩ 1/16W J	
R82	NRSA63J-224X	MG RESISTOR	220kΩ 1/16W J		R508	NRSA63J-302X	MG RESISTOR	3kΩ 1/16W J	
R83	NRSA63J-472X	MG RESISTOR	4.7kΩ 1/16W J		R509	NRSA63J-123X	MG RESISTOR	12kΩ 1/16W J	
R84	NRSA63J-0R0X	MG RESISTOR	0Ω 1/16W J		R510	NRSA63J-822X	MG RESISTOR	8.2kΩ 1/16W J	
R91	NRSA63J-0R0X	MG RESISTOR	0Ω 1/16W J		R511	NRSA63J-152X	MG RESISTOR	1.5kΩ 1/16W J	
R92	NRSA63J-224X	MG RESISTOR	220kΩ 1/16W J		R512	NRSA63J-152X	MG RESISTOR	1.5kΩ 1/16W J	
R93	NRSA63J-472X	MG RESISTOR	4.7kΩ 1/16W J		R513	NRSA63J-152X	MG RESISTOR	1.5kΩ 1/16W J	
R158	NRSA63J-471X	MG RESISTOR	470Ω 1/16W J		R514	NRSA02J-220X	MG RESISTOR	22Ω 1/10W J	
R159	NRSA63J-471X	MG RESISTOR	470Ω 1/16W J		R515	NRSA02J-220X	MG RESISTOR	22Ω 1/10W J	
R162	NRSA63J-393X	MG RESISTOR	39kΩ 1/16W J		R516	NRSA02J-331X	MG RESISTOR	330Ω 1/10W J	
R163	NRSA63J-472X	MG RESISTOR	4.7kΩ 1/16W J		R517	NRSA63J-822X	MG RESISTOR	8.2kΩ 1/16W J	
R164	NRSA63J-473X	MG RESISTOR	47kΩ 1/16W J		R518	NRSA63J-512X	MG RESISTOR	5.1kΩ 1/16W J	
R165	NRSA63J-473X	MG RESISTOR	47kΩ 1/16W J		R523	NRSA63J-823X	MG RESISTOR	82kΩ 1/16W J	
R166	NRSA63J-222X	MG RESISTOR	2.2kΩ 1/16W J		R524	NRSA63J-823X	MG RESISTOR	82kΩ 1/16W J	
R172	NRSA63J-393X	MG RESISTOR	39kΩ 1/16W J		R525	NRSA63J-334X	MG RESISTOR	330kΩ 1/16W J	
R173	NRSA63J-472X	MG RESISTOR	4.7kΩ 1/16W J		R526	NRSA63J-334X	MG RESISTOR	330kΩ 1/16W J	
R174	NRSA63J-473X	MG RESISTOR	47kΩ 1/16W J		R527	NRSA02J-220X	MG RESISTOR	22Ω 1/10W J	
R175	NRSA63J-473X	MG RESISTOR	47kΩ 1/16W J		R528	NRSA02J-220X	MG RESISTOR	22Ω 1/10W J	
R176	NRSA63J-222X	MG RESISTOR	2.2kΩ 1/16W J		R529	NRSA63J-823X	MG RESISTOR	82kΩ 1/16W J	
R181	NRSA63J-101X	MG RESISTOR	100Ω 1/16W J		R530	NRSA63J-563X	MG RESISTOR	56kΩ 1/16W J	
R182	NRSA63J-101X	MG RESISTOR	100Ω 1/16W J		R531	NRSA63J-103X	MG RESISTOR	10kΩ 1/16W J	
R183	NRSA63J-103X	MG RESISTOR	10kΩ 1/16W J		R532	NRSA63J-202X	MG RESISTOR	2kΩ 1/16W J	
R184	NRSA63J-123X	MG RESISTOR	12kΩ 1/16W J		R533	NRSA63J-102X	MG RESISTOR	1kΩ 1/16W J	
					R534	NRSA63J-153X	MG RESISTOR	15kΩ 1/16W J	

△ Symbol No.	Part No.	Part Name	Description	Local	△ Symbol No.	Part No.	Part Name	Description	Local
R535	NRSA63J-101X	MG RESISTOR	100Ω 1/16W J		R761	NRSA63J-473X	MG RESISTOR	47kΩ 1/16W J	
R536	NRSA63J-821X	MG RESISTOR	820Ω 1/16W J		R763	NRSA63J-102X	MG RESISTOR	1kΩ 1/16W J	
R537	NRSA63J-0R0X	MG RESISTOR	0Ω 1/16W J		R766	NRSA63J-223X	MG RESISTOR	22kΩ 1/16W J	
R539	NRSA02J-151X	MG RESISTOR	150Ω 1/10W J		R767	NRSA63J-223X	MG RESISTOR	22kΩ 1/16W J	
R541	NRSA63J-562X	MG RESISTOR	5.6kΩ 1/16W J		R771	NRSA63J-271X	MG RESISTOR	270Ω 1/16W J	
R542	NRSA63J-473X	MG RESISTOR	47kΩ 1/16W J		R772	NRSA63J-271X	MG RESISTOR	270Ω 1/16W J	
R543	NRSA63J-474X	MG RESISTOR	470kΩ 1/16W J		R780	NRSA63J-333X	MG RESISTOR	33kΩ 1/16W J	
R544	NRSA63J-103X	MG RESISTOR	10kΩ 1/16W J		R781	NRSA63J-473X	MG RESISTOR	47kΩ 1/16W J	
R545	NRSA63J-103X	MG RESISTOR	10kΩ 1/16W J		R782	NRSA63J-473X	MG RESISTOR	47kΩ 1/16W J	
R546	NRSA63J-0R0X	MG RESISTOR	0Ω 1/16W J		R783	NRSA63J-272X	MG RESISTOR	2.7kΩ 1/16W J	
R547	NRSA63J-0R0X	MG RESISTOR	0Ω 1/16W J		R784	NRSA63J-473X	MG RESISTOR	47kΩ 1/16W J	
R548	NRSA63J-0R0X	MG RESISTOR	0Ω 1/16W J		R793	NRS181J-0R0X	MG RESISTOR	0Ω 1/8W J	
R549	NRSA63J-101X	MG RESISTOR	100Ω 1/16W J		R891	NRSA63J-102X	MG RESISTOR	1kΩ 1/16W J	
R550	NRSA63J-101X	MG RESISTOR	100Ω 1/16W J		R892	NRSA63J-473X	MG RESISTOR	47kΩ 1/16W J	
R551	NRSA63J-101X	MG RESISTOR	100Ω 1/16W J		R901	QRE142J-102X	C RESISTOR	1kΩ 1/4W J	
R552	NRSA63J-101X	MG RESISTOR	100Ω 1/16W J		R902	NRSA02J-912X	MG RESISTOR	9.1kΩ 1/10W J	
R553	NRSA63J-105X	MG RESISTOR	1MΩ 1/16W J		R903	NRSA02J-472X	MG RESISTOR	4.7kΩ 1/10W J	
R558	NRSA63J-103X	MG RESISTOR	10kΩ 1/16W J		R971	NRS181J-222X	MG RESISTOR	2.2kΩ 1/8W J	
R559	NRSA63J-155X	MG RESISTOR	1.5MΩ 1/16W J		R972	NRS181J-222X	MG RESISTOR	2.2kΩ 1/8W J	
R581	NRSA63J-822X	MG RESISTOR	8.2kΩ 1/16W J		R976	NRSA02J-273X	MG RESISTOR	27kΩ 1/10W J	
R582	NRSA63J-822X	MG RESISTOR	8.2kΩ 1/16W J		R977	NRSA02J-123X	MG RESISTOR	12kΩ 1/10W J	
R583	NRSA63J-822X	MG RESISTOR	8.2kΩ 1/16W J		RA30	NRZ0065-222X	NET RESISTOR	2.2kΩ	
R584	NRSA63J-181X	MG RESISTOR	180Ω 1/16W J		RA550	NRZ0065-103X	NET RESISTOR	10kΩ	
R585	NRSA63J-181X	MG RESISTOR	180Ω 1/16W J		RA701	NRZ0065-102X	MG RESISTOR	1kΩ	
R586	NRSA63J-682X	MG RESISTOR	6.8kΩ 1/16W J		L1	QQL244J-4R7Z	COIL	4.7uH J	
R587	NRSA63J-102X	MG RESISTOR	1kΩ 1/16W J		L401	NQL114K-470X	INDUCTOR	47uH K	
R588	NRSA63J-102X	MG RESISTOR	1kΩ 1/16W J		L402	NQL114K-470X	INDUCTOR	47uH K	
R591	NRSA63J-822X	MG RESISTOR	8.2kΩ 1/16W J		L404	NQL114K-470X	INDUCTOR	47uH K	
R592	NRSA63J-822X	MG RESISTOR	8.2kΩ 1/16W J		L541	QQL244J-470Z	COIL	47uH J	
R593	NRSA63J-822X	MG RESISTOR	8.2kΩ 1/16W J		L543	QQL244J-470Z	COIL	47uH J	
R594	NRSA63J-181X	MG RESISTOR	180Ω 1/16W J		L544	QQL244J-470Z	COIL	47uH J	
R595	NRSA63J-181X	MG RESISTOR	180Ω 1/16W J		L701	NQL114M-4R7X	COIL	4.7uH M	
R596	NRSA63J-682X	MG RESISTOR	6.8kΩ 1/16W J		L702	NQL114M-4R7X	COIL	4.7uH M	
R597	NRSA63J-102X	MG RESISTOR	1kΩ 1/16W J		L901	QQR0703-001	CHOCOIL		
R598	NRSA63J-102X	MG RESISTOR	1kΩ 1/16W J		CN501	QGB2027M4-22S	CONNECTOR	B-B (1-22)	
R701	NRSA63J-473X	MG RESISTOR	47kΩ 1/16W J		CN701	QGZ1601J1-15	CONNECTOR	(1-15)	
R702	NRSA63J-103X	MG RESISTOR	10kΩ 1/16W J		CN901	QNZ0650-001	CAR CONNECTOR		
R703	NRSA63J-101X	MG RESISTOR	100Ω 1/16W J		J1	QNB0100-002	CAR ANT JACK		
R704	NRSA63J-473X	MG RESISTOR	47kΩ 1/16W J		J321	QNN0519-001	PIN JACK		
R705	NRSA63J-473X	MG RESISTOR	47kΩ 1/16W J		TU1	QAU0314-001	TUNER		
R707	NRSA63J-473X	MG RESISTOR	47kΩ 1/16W J		X31	QAX0616-001Z	CRYSTAL	10.250MHz	
R708	NRSA63J-332X	MG RESISTOR	3.3kΩ 1/16W J		X71	QAX0263-001Z	CRYSTAL	4.332MHz	
R714	NRSA63J-103X	MG RESISTOR	10kΩ 1/16W J		X401	QAX0760-001Z	CRYSTAL		
R715	NRSA63J-102X	MG RESISTOR	1kΩ 1/16W J		X701	QAX0617-001Z	CRYSTAL	12.500MHz	
R716	NRSA63J-102X	MG RESISTOR	1kΩ 1/16W J		X702	QAX0401-001	CRYSTAL	32.768KHz	
R717	NRSA63J-0R0X	MG RESISTOR	0Ω 1/16W J						
R718	NRSA63J-0R0X	MG RESISTOR	0Ω 1/16W J						
R719	NRSA63J-0R0X	MG RESISTOR	0Ω 1/16W J						
R720	NRSA63J-122X	MG RESISTOR	1.2kΩ 1/16W J						
R721	NRSA63J-102X	MG RESISTOR	1kΩ 1/16W J						
R722	NRSA63J-103X	MG RESISTOR	10kΩ 1/16W J						
R723	NRSA63J-103X	MG RESISTOR	10kΩ 1/16W J						
R725	NRSA63J-103X	MG RESISTOR	10kΩ 1/16W J						
R726	NRSA63J-103X	MG RESISTOR	10kΩ 1/16W J						
R728	NRSA63J-103X	MG RESISTOR	10kΩ 1/16W J						
R729	NRSA63J-473X	MG RESISTOR	47kΩ 1/16W J						
R730	NRSA63J-103X	MG RESISTOR	10kΩ 1/16W J						
R732	NRSA63J-103X	MG RESISTOR	10kΩ 1/16W J						
R734	NRSA63J-222X	MG RESISTOR	2.2kΩ 1/16W J						
R735	NRSA63J-222X	MG RESISTOR	2.2kΩ 1/16W J						
R736	NRSA63J-222X	MG RESISTOR	2.2kΩ 1/16W J						
R741	NRSA63J-103X	MG RESISTOR	10kΩ 1/16W J						
R742	NRSA63J-103X	MG RESISTOR	10kΩ 1/16W J						
R743	NRSA63J-103X	MG RESISTOR	10kΩ 1/16W J						
R744	NRSA63J-103X	MG RESISTOR	10kΩ 1/16W J						
R745	NRSA63J-103X	MG RESISTOR	10kΩ 1/16W J						
R747	NRSA63J-472X	MG RESISTOR	4.7kΩ 1/16W J						
R748	NRSA63J-472X	MG RESISTOR	4.7kΩ 1/16W J						
R749	NRSA63J-472X	MG RESISTOR	4.7kΩ 1/16W J						
R751	NRSA63J-103X	MG RESISTOR	10kΩ 1/16W J						
R752	NRSA63J-473X	MG RESISTOR	47kΩ 1/16W J						
R753	NRSA63J-473X	MG RESISTOR	47kΩ 1/16W J						
R754	NRSA63J-821X	MG RESISTOR	820Ω 1/16W J						
R755	NRSA63J-106X	MG RESISTOR	10MΩ 1/16W J						
R756	NRSA63J-473X	MG RESISTOR	47kΩ 1/16W J						
R757	NRSA63J-222X	MG RESISTOR	2.2kΩ 1/16W J						
R758	NRSA63J-473X	MG RESISTOR	47kΩ 1/16W J						
R759	NRSA63J-473X	MG RESISTOR	47kΩ 1/16W J						

Switch Board (KD-G317_EE)

Block No. [0][6]

△ Symbol No.	Part No.	Part Name	Description	Local
IC601	PT6523LQ-L	LCD DRIVER		
IC602	RPM7338-V4	RM.RECEIVER		
Q671	2SB624/4/-X	TRANSISTOR		
Q672	UN2211-X	TRANSISTOR		
D601	SML-310VT/JK/-X	LED		
D602	SML-310VT/JK/-X	LED		
D603	SML-310VT/JK/-X	LED		
D604	SML-310VT/JK/-X	LED		
D605	SML-310VT/JK/-X	LED		
D606	SML-310VT/JK/-X	LED		
D607	SML-310VT/JK/-X	LED		
D608	SML-310LT/MN/-X	LED		
D609	SML-310LT/MN/-X	LED		
D610	SML-310VT/JK/-X	LED		
D611	SML-310VT/JK/-X	LED		
D612	SML-310VT/JK/-X	LED		
D613	SML-310VT/JK/-X	LED		
D614	SML-310VT/JK/-X	LED		
D615	SML-310VT/JK/-X	LED		

△ Symbol No. Part No. Part Name Description Local

Main board (KD-G317_EE2)

Block No. [0][7]

D616	SML-310VT/JK/-X	LED		
D617	SML-310VT/JK/-X	LED		
D618	SML-310LT/MN/-X	LED		
D631	NSPW310BS/BRS/	LED		
D632	NSPW310BS/BRS/	LED		
D641	MA8051/M/-X	Z DIODE		
D643	MA111-X	SI DIODE		
D644	MA8062/M/-X	Z DIODE		
C601	NCB31HK-223X	C CAPACITOR	0.022uF 50V K	
C602	NCS31HJ-681X	C CAPACITOR	680pF 50V J	
C603	NBE20JM-106X	TA E CAPACITOR	10uF 6.3V M	
C611	NCB31HK-123X	C CAPACITOR	0.012uF 50V K	
C612	NBE20JM-475X	TA E CAPACITOR	4.7uF 6.3V M	
R601	NRSA63J-821X	MG RESISTOR	820Ω 1/16W J	
R602	NRSA63J-821X	MG RESISTOR	820Ω 1/16W J	
R603	NRSA63J-122X	MG RESISTOR	1.2kΩ 1/16W J	
R604	NRSA63J-182X	MG RESISTOR	1.8kΩ 1/16W J	
R605	NRSA63J-821X	MG RESISTOR	820Ω 1/16W J	
R606	NRSA63J-821X	MG RESISTOR	820Ω 1/16W J	
R607	NRSA63J-122X	MG RESISTOR	1.2kΩ 1/16W J	
R608	NRSA63J-182X	MG RESISTOR	1.8kΩ 1/16W J	
R609	NRSA63J-272X	MG RESISTOR	2.7kΩ 1/16W J	
R610	NRSA63J-392X	MG RESISTOR	3.9kΩ 1/16W J	
R611	NRSA63J-821X	MG RESISTOR	820Ω 1/16W J	
R612	NRSA63J-821X	MG RESISTOR	820Ω 1/16W J	
R613	NRSA63J-122X	MG RESISTOR	1.2kΩ 1/16W J	
R614	NRSA63J-182X	MG RESISTOR	1.8kΩ 1/16W J	
R615	NRSA63J-272X	MG RESISTOR	2.7kΩ 1/16W J	
R627	NRSA02J-391X	MG RESISTOR	390Ω 1/10W J	
R628	NRSA02J-391X	MG RESISTOR	390Ω 1/10W J	
R629	NRSA63J-821X	MG RESISTOR	820Ω 1/16W J	
R630	NRSA63J-132X	MG RESISTOR	1.3kΩ 1/16W J	
R631	NRSA63J-132X	MG RESISTOR	1.3kΩ 1/16W J	
R632	NRSA63J-331X	MG RESISTOR	330Ω 1/16W J	
R634	NRSA63J-821X	MG RESISTOR	820Ω 1/16W J	
R636	NRSA63J-331X	MG RESISTOR	330Ω 1/16W J	
R638	NRSA63J-511X	MG RESISTOR	510Ω 1/16W J	
R640	NRSA63J-331X	MG RESISTOR	330Ω 1/16W J	
R642	NRSA63J-132X	MG RESISTOR	1.3kΩ 1/16W J	
R643	NRSA63J-132X	MG RESISTOR	1.3kΩ 1/16W J	
R644	NRSA63J-331X	MG RESISTOR	330Ω 1/16W J	
R651	NRSA63J-222X	MG RESISTOR	2.2kΩ 1/16W J	
R652	NRSA63J-222X	MG RESISTOR	2.2kΩ 1/16W J	
R653	NRSA63J-103X	MG RESISTOR	10kΩ 1/16W J	
R654	NRSA63J-103X	MG RESISTOR	10kΩ 1/16W J	
R655	NRSA63J-103X	MG RESISTOR	10kΩ 1/16W J	
R656	NRSA63J-103X	MG RESISTOR	10kΩ 1/16W J	
R657	NRSA63J-513X	MG RESISTOR	51kΩ 1/16W J	
R658	NRSA63J-184X	MG RESISTOR	180kΩ 1/16W J	
R661	NRSA63J-103X	MG RESISTOR	10kΩ 1/16W J	
R662	NRSA63J-471X	MG RESISTOR	470Ω 1/16W J	
R671	NRSA02J-471X	MG RESISTOR	470Ω 1/10W J	
R672	NRSA02J-473X	MG RESISTOR	47kΩ 1/10W J	
R673	NRSA02J-102X	MG RESISTOR	1kΩ 1/10W J	
CJ601	QGZ1601K1-15S	CONNECTOR	(1-15)	
S601	NSW0124-001X	TACT SW		
S602	NSW0124-001X	TACT SW		
S603	NSW0124-001X	TACT SW		
S604	NSW0124-001X	TACT SW		
S605	NSW0124-001X	TACT SW		
S606	NSW0124-001X	TACT SW		
S607	NSW0124-001X	TACT SW		
S608	NSW0124-001X	TACT SW		
S609	NSW0124-001X	TACT SW		
S610	NSW0124-001X	TACT SW		
S611	NSW0124-001X	TACT SW		
S612	NSW0124-001X	TACT SW		
S613	NSW0124-001X	TACT SW		
S614	NSW0124-001X	TACT SW		
S615	NSW0124-001X	TACT SW		
S616	NSW0124-001X	TACT SW		
S617	NSW0124-001X	TACT SW		
S618	NSW0124-001X	TACT SW		

△ Symbol No. Part No. Part Name Description Local

IC31	TB2118F-X	PLL IC		
IC71	SAA6579T-X	IC		
IC161	NJW1191V-X	IC		
IC171	NJM4565M-WE	IC		
IC301	LA47516	POWER IC		
IC401	TC94A34FG-002	IC		
IC461	NJU7772F15-X	IC		
IC481	AK4385ET-X	IC		
IC491	SN74AHCT1G04K-X	IC		
IC501	LA6242H-X	IC		
IC521	TA2157FN-X	RF AMP IC		
IC541	TC94A14FA	CD LSI IC		
IC581	NJM4565M-WE	IC		
IC701	UPD784217AGC307	IC		
IC702	IC-PST3433U-X	IC		
IC771	BR24L16F-W-X	IC		
IC901	HA13164A	IC		
Q1	2SD601A/QR/-X	TRANSISTOR		
Q2	2SD601A/QR/-X	TRANSISTOR		
Q3	UN2111-X	TRANSISTOR		
Q5	2SB709A/R/-X	TRANSISTOR		
Q6	2SB624/4/-X	TRANSISTOR		
Q7	UN2211-X	TRANSISTOR		
Q10	UN2211-X	TRANSISTOR		
Q31	UN2211-X	TRANSISTOR		
Q51	2SD601A/QR/-X	TRANSISTOR		
Q52	2SD601A/QR/-X	TRANSISTOR		
Q53	UN2211-X	TRANSISTOR		
Q81	2SD601A/QR/-X	TRANSISTOR		
Q84	UN2111-X	TRANSISTOR		
Q91	2SD601A/QR/-X	TRANSISTOR		
Q341	KTD1304-X	TRANSISTOR		
Q351	KTD1304-X	TRANSISTOR		
Q440	UN2211-X	TRANSISTOR		
Q501	2SB1322/RS/-T	TRANSISTOR		
Q502	2SB1132/QR/-W	TRANSISTOR		
Q521	2SB1241/QR/-T	TRANSISTOR		
Q541	UN2111-X	TRANSISTOR		
Q542	UN2211-X	TRANSISTOR		
Q543	UN2111-X	TRANSISTOR		
Q544	2SB624/4/-X	TRANSISTOR		
Q545	UN2211-X	TRANSISTOR		
Q781	UN2111-X	TRANSISTOR		
Q782	UN2213-X	DIGI TRANSISTOR		
Q784	UN2111-X	TRANSISTOR		
Q891	UN2211-X	TRANSISTOR		
Q976	UN2211-X	TRANSISTOR		
Q977	2SB709A/QR/-X	TRANSISTOR		
D1	MA111-X	SI DIODE		
D2	MA111-X	SI DIODE		
D4	MA111-X	SI DIODE		
D5	MA111-X	SI DIODE		
D84	MA111-X	SI DIODE		
D341	MA111-X	SI DIODE		
D351	MA111-X	SI DIODE		
D481	MA8051/M/-X	Z DIODE		
D701	MA8062/M/-X	Z DIODE		
D702	MA8062/M/-X	Z DIODE		
D703	MA8062/M/-X	Z DIODE		
D704	MA8062/M/-X	Z DIODE		
D705	MA8062/M/-X	Z DIODE		
D706	MA8062/M/-X	Z DIODE		
D709	MA8062/M/-X	Z DIODE		
D710	MA8062/M/-X	Z DIODE		
D711	MA8062/M/-X	Z DIODE		
D713	MA111-X	SI DIODE		
D781	MA111-X	SI DIODE		
D782	MA111-X	SI DIODE		
D784	MA8091/M/-X	Z DIODE		
D891	MA111-X	SI DIODE		
D892	MA111-X	SI DIODE		
D901	1N5401-F64	DIODE		

△ Symbol No.	Part No.	Part Name	Description	Local	△ Symbol No.	Part No.	Part Name	Description	Local
D902	MA111-X	SI DIODE			C193	QEKJ1CM-107Z	E CAPACITOR	100uF 16V M	
D971	RB160M-30-X	SB DIODE			C194	NCB31EK-103X	C CAPACITOR	0.01uF 25V K	
D972	RB160M-30-X	SB DIODE			C195	QEKJ1EM-475Z	E CAPACITOR	4.7uF 25V M	
C1	QEKJ1CM-226Z	E CAPACITOR	22uF 16V M		C201	NCB31CK-105X	C CAPACITOR	1uF 16V K	
C2	NCB31EK-473X	C CAPACITOR	0.047uF 25V K		C202	NCB31CK-105X	C CAPACITOR	1uF 16V K	
C3	QEKJ1CM-226Z	E CAPACITOR	22uF 16V M		C301	QFV91HJ-474Z	MF CAPACITOR	0.47uF 50V J	
C4	QEKJ1AM-227Z	E CAPACITOR	220uF 10V M		C302	QFV91HJ-474Z	MF CAPACITOR	0.47uF 50V J	
C5	QEKJ1HM-105Z	E CAPACITOR	1uF 50V M		C303	NDC31HJ-101X	C CAPACITOR	100pF 50V J	
C6	NCB31HK-103X	C CAPACITOR	0.01uF 50V K		C304	NDC31HJ-101X	C CAPACITOR	100pF 50V J	
C9	QEKJ1AM-227Z	E CAPACITOR	220uF 10V M		C307	QEKJ1HM-105Z	E CAPACITOR	1uF 50V M	
C31	QEKJ1AM-107Z	E CAPACITOR	100uF 10V M		C308	QEKJ1HM-105Z	E CAPACITOR	1uF 50V M	
C32	NDC31HJ-470X	C CAPACITOR	47pF 50V J		C311	QFV91HJ-474Z	MF CAPACITOR	0.47uF 50V J	
C33	QEKJ0JM-476Z	E CAPACITOR	47uF 6.3V M		C312	QFV91HJ-474Z	MF CAPACITOR	0.47uF 50V J	
C34	NCB31EK-473X	C CAPACITOR	0.047uF 25V K		C313	NDC31HJ-101X	C CAPACITOR	100pF 50V J	
C35	NDC31HJ-100X	C CAPACITOR	10pF 50V J		C314	NDC31HJ-101X	C CAPACITOR	100pF 50V J	
C36	NDC31HJ-7R0X	C CAPACITOR	7pF 50V J		C315	QEKJ1CM-106Z	E CAPACITOR	10uF 16V M	
C37	NDC31HJ-100X	C CAPACITOR	10pF 50V J		C316	QEKJ1EM-475Z	E CAPACITOR	4.7uF 25V M	
C38	NCB31HK-102X	C CAPACITOR	1000pF 50V K		C317	QEKJ1CM-476Z	E CAPACITOR	47uF 16V M	
C39	NCB31HK-102X	C CAPACITOR	1000pF 50V K		C318	QEDJ1CM-226Z	E CAPACITOR	22uF 16V M	
C40	QEKJ1CM-106Z	E CAPACITOR	10uF 16V M		C319	NCB31EK-223X	C CAPACITOR	0.022uF 25V K	
C41	NCB31EK-473X	C CAPACITOR	0.047uF 25V K		C320	NCB31EK-223X	C CAPACITOR	0.022uF 25V K	
C42	NCB31HK-103X	C CAPACITOR	0.01uF 50V K		C321	NCB31CK-104X	C CAPACITOR	0.1uF 16V K	
C43	QFV61HJ-473Z	MF CAPACITOR	0.047uF 50V J		C322	NCB31EK-104X	C CAPACITOR	0.1uF 25V K	
C44	NCB31EK-333X	C CAPACITOR	0.033uF 25V K		C323	NCB31EK-104X	C CAPACITOR	0.1uF 25V K	
C45	NCB31HK-682X	C CAPACITOR	6800pF 50V K		C324	NCB31EK-104X	C CAPACITOR	0.1uF 25V K	
C46	NCB31HK-103X	C CAPACITOR	0.01uF 50V K		C325	NCB31EK-104X	C CAPACITOR	0.1uF 25V K	
C47	NCB31HK-103X	C CAPACITOR	0.01uF 50V K		C331	NCB31CK-104X	C CAPACITOR	0.1uF 16V K	
C48	NCB31EK-473X	C CAPACITOR	0.047uF 25V K		C402	NCB31HK-103X	C CAPACITOR	0.01uF 50V K	
C49	NCB31HK-102X	C CAPACITOR	1000pF 50V K		C403	NCB31HK-103X	C CAPACITOR	0.01uF 50V K	
C50	NDC31HJ-101X	C CAPACITOR	100pF 50V J		C404	NCB31HK-103X	C CAPACITOR	0.01uF 50V K	
C51	NDC31HJ-331X	C CAPACITOR	330pF 50V J		C405	QEKJ1HM-105Z	E CAPACITOR	1uF 50V M	
C52	NCB31HK-103X	C CAPACITOR	0.01uF 50V K		C408	NCB31HK-103X	C CAPACITOR	0.01uF 50V K	
C53	NCB31EK-472X	C CAPACITOR	4700pF 25V K		C409	QEKJ0JM-107Z	E CAPACITOR	100uF 6.3V M	
C54	NCB31EK-104X	C CAPACITOR	0.1uF 25V K		C411	QEKJ0JM-107Z	E CAPACITOR	100uF 6.3V M	
C55	QEKJ1HM-474Z	E CAPACITOR	0.47uF 50V M		C412	NCB31HK-103X	C CAPACITOR	0.01uF 50V K	
C71	NDC31HJ-561X	C CAPACITOR	560pF 50V J		C413	NCB31CK-104X	C CAPACITOR	0.1uF 16V K	
C72	NCB31EK-223X	C CAPACITOR	0.022uF 25V K		C414	NCB31HK-222X	C CAPACITOR	2200pF 50V K	
C73	QEKJ1HM-225Z	E CAPACITOR	2.2uF 50V M		C415	NCB31CK-104X	C CAPACITOR	0.1uF 16V K	
C74	NDC31HJ-820X	C CAPACITOR	82pF 50V J		C416	NCB31HK-103X	C CAPACITOR	0.01uF 50V K	
C75	NDC31HJ-470X	C CAPACITOR	47pF 50V J		C419	NDC31HJ-120X	C CAPACITOR	12pF 50V J	
C76	NCB31HK-103X	C CAPACITOR	0.01uF 50V K		C420	NDC31HJ-120X	C CAPACITOR	12pF 50V J	
C77	QEKJ0JM-476Z	E CAPACITOR	47uF 6.3V M		C421	NCB31HK-103X	C CAPACITOR	0.01uF 50V K	
C78	NCB31HK-103X	C CAPACITOR	0.01uF 50V K		C422	QEKJ0JM-107Z	E CAPACITOR	100uF 6.3V M	
C81	QEKJ1HM-105Z	E CAPACITOR	1uF 50V M		C425	NCB31HK-103X	C CAPACITOR	0.01uF 50V K	
C83	NCB31EK-104X	C CAPACITOR	0.1uF 25V K		C430	NCB31HK-103X	C CAPACITOR	0.01uF 50V K	
C84	NCB31HK-183X	C CAPACITOR	0.018uF 50V K		C440	NCB31HK-103X	C CAPACITOR	0.01uF 50V K	
C91	QEKJ1HM-105Z	E CAPACITOR	1uF 50V M		C461	NCB31EK-104X	C CAPACITOR	0.1uF 25V K	
C94	NCB31HK-183X	C CAPACITOR	0.018uF 50V K		C462	QEKJ0JM-107Z	E CAPACITOR	100uF 6.3V M	
C156	NCB21CK-474X	C CAPACITOR	0.47uF 16V K		C463	QEKJ0JM-107Z	E CAPACITOR	100uF 6.3V M	
C157	NCB21CK-474X	C CAPACITOR	0.47uF 16V K		C464	NCB31EK-104X	C CAPACITOR	0.1uF 25V K	
C158	NCB31HK-472X	C CAPACITOR	4700pF 50V K		C481	QEKJ0JM-476Z	E CAPACITOR	47uF 6.3V M	
C159	NCB31HK-472X	C CAPACITOR	4700pF 50V K		C482	NCB31EK-104X	C CAPACITOR	0.1uF 25V K	
C161	QTE1H54-225Z	E CAPACITOR	2.2uF 50V M		C483	NCB31EK-104X	C CAPACITOR	0.1uF 25V K	
C162	QEKJ1HM-105Z	E CAPACITOR	1uF 50V M		C501	QEDJ1AM-476Z	E CAPACITOR	47uF 10V M	
C164	NCB31HK-471X	C CAPACITOR	470pF 50V K		C502	NCB31HK-103X	C CAPACITOR	0.01uF 50V K	
C165	NCB31AK-154X	C CAPACITOR	0.15uF 10V K		C503	QEKJ1AM-107Z	E CAPACITOR	100uF 10V M	
C166	NCB31HK-472X	C CAPACITOR	4700pF 50V K		C504	NCB31EK-473X	C CAPACITOR	0.047uF 25V K	
C167	NCB31CK-104X	C CAPACITOR	0.1uF 16V K		C505	NCB31EK-473X	C CAPACITOR	0.047uF 25V K	
C169	QEKJ1CM-106Z	E CAPACITOR	10uF 16V M		C506	NCB31EK-473X	C CAPACITOR	0.047uF 25V K	
C170	QEKJ1CM-106Z	E CAPACITOR	10uF 16V M		C507	NCB31EK-473X	C CAPACITOR	0.047uF 25V K	
C171	QTE1H54-225Z	E CAPACITOR	2.2uF 50V M		C508	NCB31HK-103X	C CAPACITOR	0.01uF 50V K	
C172	QEKJ1HM-105Z	E CAPACITOR	1uF 50V M		C509	NCB31EK-103X	C CAPACITOR	0.01uF 25V K	
C174	NCB31HK-471X	C CAPACITOR	470pF 50V K		C510	NCB31EK-103X	C CAPACITOR	0.01uF 25V K	
C175	NCB31AK-154X	C CAPACITOR	0.15uF 10V K		C511	NCB31EK-104X	C CAPACITOR	0.1uF 25V K	
C176	NCB31HK-472X	C CAPACITOR	4700pF 50V K		C512	NCB31HK-103X	C CAPACITOR	0.01uF 50V K	
C177	NCB31CK-104X	C CAPACITOR	0.1uF 16V K		C521	NCB31HK-103X	C CAPACITOR	0.01uF 50V K	
C179	QEKJ1CM-106Z	E CAPACITOR	10uF 16V M		C522	NCB31HK-103X	C CAPACITOR	0.01uF 50V K	
C180	QEKJ1CM-106Z	E CAPACITOR	10uF 16V M		C523	QEKJ0JM-107Z	E CAPACITOR	100uF 6.3V M	
C183	NCB31HK-152X	C CAPACITOR	1500pF 50V K		C524	NCB31HK-103X	C CAPACITOR	0.01uF 50V K	
C184	NDC31HJ-151X	C CAPACITOR	150pF 50V J		C525	QEKJ0JM-107Z	E CAPACITOR	100uF 6.3V M	
C185	QEKJ0JM-476Z	E CAPACITOR	47uF 6.3V M		C527	NCB31HK-682X	C CAPACITOR	6800pF 50V K	
C186	NCB31HK-152X	C CAPACITOR	1500pF 50V K		C528	NCB31HK-103X	C CAPACITOR	0.01uF 50V K	
C187	NDC31HJ-151X	C CAPACITOR	150pF 50V J		C529	QEKJ0JM-107Z	E CAPACITOR	100uF 6.3V M	
C188	QEKJ1CM-476Z	E CAPACITOR	47uF 16V M		C530	NCB31EK-104X	C CAPACITOR	0.1uF 25V K	
C189	NCB31EK-103X	C CAPACITOR	0.01uF 25V K		C531	NCB31EK-104X	C CAPACITOR	0.1uF 25V K	
C191	QEKJ1HM-225Z	E CAPACITOR	2.2uF 50V M		C532	NDC31HJ-680X	C CAPACITOR	68pF 50V J	
C192	QEKJ1HM-225Z	E CAPACITOR	2.2uF 50V M		C533	NCB31HK-103X	C CAPACITOR	0.01uF 50V K	
					C534	NDC31HJ-5R0X	C CAPACITOR	5pF 50V J	

△ Symbol No.	Part No.	Part Name	Description	Local	△ Symbol No.	Part No.	Part Name	Description	Local
C541	QEKJ0JM-107Z	E CAPACITOR	100uF 6.3V M		C912	NCB31HK-103X	C CAPACITOR	0.01uF 50V K	
C542	NCB31HK-103X	C CAPACITOR	0.01uF 50V K		C913	QEKJ1CM-106Z	E CAPACITOR	10uF 16V M	
C543	QEKJ1HM-105Z	E CAPACITOR	1uF 50V M		C914	QEKJ1CM-107Z	E CAPACITOR	100uF 16V M	
C544	QEKJ0JM-107Z	E CAPACITOR	100uF 6.3V M		C915	NCB31CK-104X	C CAPACITOR	0.1uF 16V K	
C545	NCB31HK-103X	C CAPACITOR	0.01uF 50V K		C961	NDC31HJ-101X	C CAPACITOR	100pF 50V J	
C546	NDC31HJ-470X	C CAPACITOR	47pF 50V J		C962	NDC31HJ-101X	C CAPACITOR	100pF 50V J	
C547	NCB31HK-153X	C CAPACITOR	0.015uF 50V K		C963	NDC31HJ-101X	C CAPACITOR	100pF 50V J	
C548	NCB31HK-103X	C CAPACITOR	0.01uF 50V K		C964	NDC31HJ-101X	C CAPACITOR	100pF 50V J	
C549	NCB31HK-272X	C CAPACITOR	2700pF 50V K		C965	NDC31HJ-101X	C CAPACITOR	100pF 50V J	
C550	NCB31HK-103X	C CAPACITOR	0.01uF 50V K		C966	NDC31HJ-101X	C CAPACITOR	100pF 50V J	
C551	NCB31EK-333X	C CAPACITOR	0.033uF 25V K		C967	NDC31HJ-101X	C CAPACITOR	100pF 50V J	
C552	NCB31EK-333X	C CAPACITOR	0.033uF 25V K		C968	NDC31HJ-101X	C CAPACITOR	100pF 50V J	
C553	NCB31EK-473X	C CAPACITOR	0.047uF 25V K		C971	NCB31EK-104X	C CAPACITOR	0.1uF 25V K	
C554	NCB31EK-473X	C CAPACITOR	0.047uF 25V K						
C555	NCB31EK-473X	C CAPACITOR	0.047uF 25V K		R1	NRS181J-100X	MG RESISTOR	10Ω 1/8W J	
C556	NCB31HK-471X	C CAPACITOR	470pF 50V K		R2	NRSA63J-473X	MG RESISTOR	47kΩ 1/16W J	
C557	NCB31HK-471X	C CAPACITOR	470pF 50V K		R3	NRSA63J-472X	MG RESISTOR	4.7kΩ 1/16W J	
C558	NCB31EK-473X	C CAPACITOR	0.047uF 25V K		R4	NRSA63J-332X	MG RESISTOR	3.3kΩ 1/16W J	
C559	NCB31EK-473X	C CAPACITOR	0.047uF 25V K		R5	NRSA63J-473X	MG RESISTOR	47kΩ 1/16W J	
C560	NCB31HK-103X	C CAPACITOR	0.01uF 50V K		R6	NRSA63J-473X	MG RESISTOR	47kΩ 1/16W J	
C561	QEKJ0JM-107Z	E CAPACITOR	100uF 6.3V M		R7	NRSA63J-472X	MG RESISTOR	4.7kΩ 1/16W J	
C562	NCB31HK-103X	C CAPACITOR	0.01uF 50V K		R9	NRSA63J-470X	MG RESISTOR	47Ω 1/16W J	
C565	NCB31HK-103X	C CAPACITOR	0.01uF 50V K		R10	NRSA63J-103X	MG RESISTOR	10kΩ 1/16W J	
C566	QEKJ0JM-107Z	E CAPACITOR	100uF 6.3V M		R11	NRSA63J-103X	MG RESISTOR	10kΩ 1/16W J	
C568	NCB31EK-104X	C CAPACITOR	0.1uF 25V K		R31	NRS181J-100X	MG RESISTOR	10Ω 1/8W J	
C569	NCB31HK-103X	C CAPACITOR	0.01uF 50V K		R32	NRSA63J-622X	MG RESISTOR	6.2kΩ 1/16W J	
C570	QEKJ0JM-107Z	E CAPACITOR	100uF 6.3V M		R33	NRSA63J-103X	MG RESISTOR	10kΩ 1/16W J	
C571	NCB31HK-103X	C CAPACITOR	0.01uF 50V K		R38	NRSA63J-101X	MG RESISTOR	100Ω 1/16W J	
C572	QEKJ0JM-107Z	E CAPACITOR	100uF 6.3V M		R39	NRSA63J-0R0X	MG RESISTOR	0Ω 1/16W J	
C580	QEKJ1EM-475Z	E CAPACITOR	4.7uF 25V M		R40	NRSA63J-393X	MG RESISTOR	39kΩ 1/16W J	
C581	NCB31HK-332X	C CAPACITOR	3300pF 50V K		R41	NRSA63J-392X	MG RESISTOR	3.9kΩ 1/16W J	
C582	NDC31HJ-271X	C CAPACITOR	270pF 50V J		R42	NRS181J-100X	MG RESISTOR	10Ω 1/8W J	
C583	NDC31HJ-271X	C CAPACITOR	270pF 50V J		R43	NRSA63J-471X	MG RESISTOR	470Ω 1/16W J	
C584	NCB31EK-104X	C CAPACITOR	0.1uF 25V K		R44	NRSA63J-221X	MG RESISTOR	220Ω 1/16W J	
C585	QERF0JM-476Z	E CAPACITOR	47uF 6.3V M		R51	NRSA63J-223X	MG RESISTOR	22kΩ 1/16W J	
C589	QEKJ1EM-475Z	E CAPACITOR	4.7uF 25V M		R52	NRSA63J-473X	MG RESISTOR	47kΩ 1/16W J	
C590	QEKJ1EM-475Z	E CAPACITOR	4.7uF 25V M		R53	NRSA63J-473X	MG RESISTOR	47kΩ 1/16W J	
C591	NCB31HK-332X	C CAPACITOR	3300pF 50V K		R54	NRSA63J-103X	MG RESISTOR	10kΩ 1/16W J	
C592	NDC31HJ-271X	C CAPACITOR	270pF 50V J		R55	NRSA63J-222X	MG RESISTOR	2.2kΩ 1/16W J	
C593	NDC31HJ-271X	C CAPACITOR	270pF 50V J		R56	NRSA63J-103X	MG RESISTOR	10kΩ 1/16W J	
C594	NCB31EK-104X	C CAPACITOR	0.1uF 25V K		R57	NRSA63J-153X	MG RESISTOR	15kΩ 1/16W J	
C595	QEKJ0JM-476Z	E CAPACITOR	47uF 6.3V M		R58	NRSA63J-471X	MG RESISTOR	470Ω 1/16W J	
C596	QEKJ1AM-107Z	E CAPACITOR	100uF 10V M		R59	NRSA63J-473X	MG RESISTOR	47kΩ 1/16W J	
C597	NCB31HK-103X	C CAPACITOR	0.01uF 50V K		R71	NRSA63J-222X	MG RESISTOR	2.2kΩ 1/16W J	
C599	QEKJ1EM-475Z	E CAPACITOR	4.7uF 25V M		R72	NRSA63J-222X	MG RESISTOR	2.2kΩ 1/16W J	
C701	NDC31HJ-220X	C CAPACITOR	22pF 50V J		R73	NRSA63J-222X	MG RESISTOR	2.2kΩ 1/16W J	
C702	NDC31HJ-270X	C CAPACITOR	27pF 50V J		R74	NRSA02J-101X	MG RESISTOR	100Ω 1/10W J	
C703	NDC31HJ-270X	C CAPACITOR	27pF 50V J		R81	NRSA63J-0R0X	MG RESISTOR	0Ω 1/16W J	
C704	NDC31HJ-8R0X	C CAPACITOR	8pF 50V J		R82	NRSA63J-224X	MG RESISTOR	220kΩ 1/16W J	
C705	NCB31EK-473X	C CAPACITOR	0.047uF 25V K		R83	NRSA63J-472X	MG RESISTOR	4.7kΩ 1/16W J	
C706	NCB31EK-473X	C CAPACITOR	0.047uF 25V K		R84	NRSA63J-0R0X	MG RESISTOR	0Ω 1/16W J	
C707	NCB31EK-473X	C CAPACITOR	0.047uF 25V K		R91	NRSA63J-0R0X	MG RESISTOR	0Ω 1/16W J	
C708	NCB31EK-473X	C CAPACITOR	0.047uF 25V K		R92	NRSA63J-224X	MG RESISTOR	220kΩ 1/16W J	
C709	NCB31HK-103X	C CAPACITOR	0.01uF 50V K		R93	NRSA63J-472X	MG RESISTOR	4.7kΩ 1/16W J	
C710	QEKJ0JM-476Z	E CAPACITOR	47uF 6.3V M		R158	NRSA63J-471X	MG RESISTOR	470Ω 1/16W J	
C711	QEKJ0JM-227Z	E CAPACITOR	220uF 6.3V M		R159	NRSA63J-471X	MG RESISTOR	470Ω 1/16W J	
C712	NCB31HK-103X	C CAPACITOR	0.01uF 50V K		R162	NRSA63J-393X	MG RESISTOR	39kΩ 1/16W J	
C713	NCB31EK-103X	C CAPACITOR	0.01uF 25V K		R163	NRSA63J-472X	MG RESISTOR	4.7kΩ 1/16W J	
C716	NCB31EK-104X	C CAPACITOR	0.1uF 25V K		R164	NRSA63J-473X	MG RESISTOR	47kΩ 1/16W J	
C717	NCB31EK-104X	C CAPACITOR	0.1uF 25V K		R165	NRSA63J-473X	MG RESISTOR	47kΩ 1/16W J	
C719	NCB31HK-102X	C CAPACITOR	1000pF 50V K		R166	NRSA63J-222X	MG RESISTOR	2.2kΩ 1/16W J	
C771	NCB31EK-473X	C CAPACITOR	0.047uF 25V K		R172	NRSA63J-393X	MG RESISTOR	39kΩ 1/16W J	
C781	QEKJ0JM-107Z	E CAPACITOR	100uF 6.3V M		R173	NRSA63J-472X	MG RESISTOR	4.7kΩ 1/16W J	
C782	NCB31EK-823X	C CAPACITOR	0.082uF 25V K		R174	NRSA63J-473X	MG RESISTOR	47kΩ 1/16W J	
C783	NCB31EK-103X	C CAPACITOR	0.01uF 25V K		R175	NRSA63J-473X	MG RESISTOR	47kΩ 1/16W J	
C784	QEKJ1CM-107Z	E CAPACITOR	100uF 16V M		R176	NRSA63J-222X	MG RESISTOR	2.2kΩ 1/16W J	
C891	NCB31EK-104X	C CAPACITOR	0.1uF 25V K		R181	NRSA63J-101X	MG RESISTOR	100Ω 1/16W J	
C901	QEZ0675-338	E CAPACITOR	3300uF		R182	NRSA63J-101X	MG RESISTOR	100Ω 1/16W J	
C902	QEKJ1HM-225Z	E CAPACITOR	2.2uF 50V M		R183	NRSA63J-103X	MG RESISTOR	10kΩ 1/16W J	
C903	QEKJ1CM-476Z	E CAPACITOR	47uF 16V M		R184	NRSA63J-123X	MG RESISTOR	12kΩ 1/16W J	
C904	QEDJ1CM-106Z	E CAPACITOR	10uF 16V M		R185	NRSA63J-303X	MG RESISTOR	30kΩ 1/16W J	
C905	QEKJ1CM-476Z	E CAPACITOR	47uF 16V M		R186	NRSA63J-103X	MG RESISTOR	10kΩ 1/16W J	
C906	NCB31HK-103X	C CAPACITOR	0.01uF 50V K		R187	NRSA63J-123X	MG RESISTOR	12kΩ 1/16W J	
C907	QEKJ1AM-227Z	E CAPACITOR	220uF 10V M		R188	NRSA63J-303X	MG RESISTOR	30kΩ 1/16W J	
C908	QEKJ0JM-227Z	E CAPACITOR	220uF 6.3V M		R197	NRSA63J-103X	MG RESISTOR	10kΩ 1/16W J	
C909	QEKJ0JM-227Z	E CAPACITOR	220uF 6.3V M		R198	NRSA63J-103X	MG RESISTOR	10kΩ 1/16W J	
C910	QEKJ1CM-106Z	E CAPACITOR	10uF 16V M		R205	NRSA02J-0R0X	MG RESISTOR	0Ω 1/10W J	
C911	NCB31CK-104X	C CAPACITOR	0.1uF 16V K		R247	NRSA63J-473X	MG RESISTOR	47kΩ 1/16W J	

△ Symbol No.	Part No.	Part Name	Description	Local	△ Symbol No.	Part No.	Part Name	Description	Local
R248	NRSA63J-221X	MG RESISTOR	220Ω 1/16W J		R547	NRSA63J-0R0X	MG RESISTOR	0Ω 1/16W J	
R301	NRSA63J-273X	MG RESISTOR	27kΩ 1/16W J		R548	NRSA63J-0R0X	MG RESISTOR	0Ω 1/16W J	
R302	NRSA63J-273X	MG RESISTOR	27kΩ 1/16W J		R549	NRSA63J-101X	MG RESISTOR	100Ω 1/16W J	
R311	NRSA63J-273X	MG RESISTOR	27kΩ 1/16W J		R550	NRSA63J-101X	MG RESISTOR	100Ω 1/16W J	
R312	NRSA63J-273X	MG RESISTOR	27kΩ 1/16W J		R551	NRSA63J-101X	MG RESISTOR	100Ω 1/16W J	
R341	NRSA63J-222X	MG RESISTOR	2.2kΩ 1/16W J		R552	NRSA63J-101X	MG RESISTOR	100Ω 1/16W J	
R342	NRSA63J-821X	MG RESISTOR	820Ω 1/16W J		R553	NRSA63J-105X	MG RESISTOR	1MΩ 1/16W J	
R343	NRSA02J-101X	MG RESISTOR	100Ω 1/10W J		R558	NRSA63J-103X	MG RESISTOR	10kΩ 1/16W J	
R351	NRSA63J-222X	MG RESISTOR	2.2kΩ 1/16W J		R559	NRSA63J-155X	MG RESISTOR	1.5MΩ 1/16W J	
R352	NRSA63J-821X	MG RESISTOR	820Ω 1/16W J		R581	NRSA63J-822X	MG RESISTOR	8.2kΩ 1/16W J	
R353	NRSA02J-101X	MG RESISTOR	100Ω 1/10W J		R582	NRSA63J-822X	MG RESISTOR	8.2kΩ 1/16W J	
R402	NRSA63J-470X	MG RESISTOR	47Ω 1/16W J		R583	NRSA63J-822X	MG RESISTOR	8.2kΩ 1/16W J	
R403	NRSA63J-105X	MG RESISTOR	1MΩ 1/16W J		R584	NRSA63J-181X	MG RESISTOR	180Ω 1/16W J	
R404	NRSA63J-103X	MG RESISTOR	10kΩ 1/16W J		R585	NRSA63J-181X	MG RESISTOR	180Ω 1/16W J	
R405	NRSA63J-202X	MG RESISTOR	2kΩ 1/16W J		R586	NRSA63J-682X	MG RESISTOR	6.8kΩ 1/16W J	
R406	NRSA63J-470X	MG RESISTOR	47Ω 1/16W J		R587	NRSA63J-102X	MG RESISTOR	1kΩ 1/16W J	
R407	NRSA63J-222X	MG RESISTOR	2.2kΩ 1/16W J		R588	NRSA63J-102X	MG RESISTOR	1kΩ 1/16W J	
R408	NRSA63J-222X	MG RESISTOR	2.2kΩ 1/16W J		R591	NRSA63J-822X	MG RESISTOR	8.2kΩ 1/16W J	
R409	NRSA63J-222X	MG RESISTOR	2.2kΩ 1/16W J		R592	NRSA63J-822X	MG RESISTOR	8.2kΩ 1/16W J	
R412	NRSA63J-472X	MG RESISTOR	4.7kΩ 1/16W J		R593	NRSA63J-822X	MG RESISTOR	8.2kΩ 1/16W J	
R413	NRSA63J-472X	MG RESISTOR	4.7kΩ 1/16W J		R594	NRSA63J-181X	MG RESISTOR	180Ω 1/16W J	
R414	NRSA63J-472X	MG RESISTOR	4.7kΩ 1/16W J		R595	NRSA63J-181X	MG RESISTOR	180Ω 1/16W J	
R415	NRSA63J-102X	MG RESISTOR	1kΩ 1/16W J		R596	NRSA63J-682X	MG RESISTOR	6.8kΩ 1/16W J	
R416	NRSA63J-473X	MG RESISTOR	47kΩ 1/16W J		R597	NRSA63J-102X	MG RESISTOR	1kΩ 1/16W J	
R417	NRSA63J-0R0X	MG RESISTOR	0Ω 1/16W J		R598	NRSA63J-102X	MG RESISTOR	1kΩ 1/16W J	
R423	NRSA63J-103X	MG RESISTOR	10kΩ 1/16W J		R701	NRSA63J-473X	MG RESISTOR	47kΩ 1/16W J	
R424	NRSA63J-221X	MG RESISTOR	220Ω 1/16W J		R702	NRSA63J-103X	MG RESISTOR	10kΩ 1/16W J	
R433	NRSA63J-470X	MG RESISTOR	47Ω 1/16W J		R703	NRSA63J-101X	MG RESISTOR	100Ω 1/16W J	
R440	NRSA63J-472X	MG RESISTOR	4.7kΩ 1/16W J		R704	NRSA63J-473X	MG RESISTOR	47kΩ 1/16W J	
R451	NRSA63J-223X	MG RESISTOR	22kΩ 1/16W J		R705	NRSA63J-473X	MG RESISTOR	47kΩ 1/16W J	
R452	NRSA63J-473X	MG RESISTOR	47kΩ 1/16W J		R707	NRSA63J-473X	MG RESISTOR	47kΩ 1/16W J	
R453	NRSA63J-222X	MG RESISTOR	2.2kΩ 1/16W J		R708	NRSA63J-332X	MG RESISTOR	3.3kΩ 1/16W J	
R454	NRSA63J-472X	MG RESISTOR	4.7kΩ 1/16W J		R714	NRSA63J-103X	MG RESISTOR	10kΩ 1/16W J	
R455	NRSA63J-222X	MG RESISTOR	2.2kΩ 1/16W J		R715	NRSA63J-102X	MG RESISTOR	1kΩ 1/16W J	
R456	NRSA63J-472X	MG RESISTOR	4.7kΩ 1/16W J		R716	NRSA63J-102X	MG RESISTOR	1kΩ 1/16W J	
R457	NRSA63J-222X	MG RESISTOR	2.2kΩ 1/16W J		R717	NRSA63J-0R0X	MG RESISTOR	0Ω 1/16W J	
R458	NRSA63J-472X	MG RESISTOR	4.7kΩ 1/16W J		R718	NRSA63J-0R0X	MG RESISTOR	0Ω 1/16W J	
R459	NRSA02J-101X	MG RESISTOR	100Ω 1/10W J		R719	NRSA63J-0R0X	MG RESISTOR	0Ω 1/16W J	
R460	NRSA02J-101X	MG RESISTOR	100Ω 1/10W J		R720	NRSA63J-122X	MG RESISTOR	1.2kΩ 1/16W J	
R481	NRSA02J-181X	MG RESISTOR	180Ω 1/10W J		R721	NRSA63J-102X	MG RESISTOR	1kΩ 1/16W J	
R501	NRSA63J-333X	MG RESISTOR	33kΩ 1/16W J		R722	NRSA63J-103X	MG RESISTOR	10kΩ 1/16W J	
R502	NRSA63J-822X	MG RESISTOR	8.2kΩ 1/16W J		R723	NRSA63J-103X	MG RESISTOR	10kΩ 1/16W J	
R503	NRSA63J-472X	MG RESISTOR	4.7kΩ 1/16W J		R725	NRSA63J-103X	MG RESISTOR	10kΩ 1/16W J	
R504	NRSA63J-153X	MG RESISTOR	15kΩ 1/16W J		R726	NRSA63J-103X	MG RESISTOR	10kΩ 1/16W J	
R507	NRSA63J-682X	MG RESISTOR	6.8kΩ 1/16W J		R728	NRSA63J-103X	MG RESISTOR	10kΩ 1/16W J	
R508	NRSA63J-302X	MG RESISTOR	3kΩ 1/16W J		R729	NRSA63J-473X	MG RESISTOR	47kΩ 1/16W J	
R509	NRSA63J-123X	MG RESISTOR	12kΩ 1/16W J		R730	NRSA63J-103X	MG RESISTOR	10kΩ 1/16W J	
R510	NRSA63J-822X	MG RESISTOR	8.2kΩ 1/16W J		R732	NRSA63J-103X	MG RESISTOR	10kΩ 1/16W J	
R511	NRSA63J-152X	MG RESISTOR	1.5kΩ 1/16W J		R734	NRSA63J-222X	MG RESISTOR	2.2kΩ 1/16W J	
R512	NRSA63J-152X	MG RESISTOR	1.5kΩ 1/16W J		R735	NRSA63J-222X	MG RESISTOR	2.2kΩ 1/16W J	
R513	NRSA63J-152X	MG RESISTOR	1.5kΩ 1/16W J		R736	NRSA63J-222X	MG RESISTOR	2.2kΩ 1/16W J	
R514	NRSA02J-220X	MG RESISTOR	22Ω 1/10W J		R741	NRSA63J-103X	MG RESISTOR	10kΩ 1/16W J	
R515	NRSA02J-220X	MG RESISTOR	22Ω 1/10W J		R742	NRSA63J-103X	MG RESISTOR	10kΩ 1/16W J	
R516	NRSA02J-331X	MG RESISTOR	330Ω 1/10W J		R743	NRSA63J-103X	MG RESISTOR	10kΩ 1/16W J	
R517	NRSA63J-822X	MG RESISTOR	8.2kΩ 1/16W J		R744	NRSA63J-103X	MG RESISTOR	10kΩ 1/16W J	
R518	NRSA63J-512X	MG RESISTOR	5.1kΩ 1/16W J		R745	NRSA63J-103X	MG RESISTOR	10kΩ 1/16W J	
R523	NRSA63J-823X	MG RESISTOR	82kΩ 1/16W J		R747	NRSA63J-472X	MG RESISTOR	4.7kΩ 1/16W J	
R524	NRSA63J-823X	MG RESISTOR	82kΩ 1/16W J		R748	NRSA63J-472X	MG RESISTOR	4.7kΩ 1/16W J	
R525	NRSA63J-334X	MG RESISTOR	330kΩ 1/16W J		R749	NRSA63J-472X	MG RESISTOR	4.7kΩ 1/16W J	
R526	NRSA63J-334X	MG RESISTOR	330kΩ 1/16W J		R751	NRSA63J-103X	MG RESISTOR	10kΩ 1/16W J	
R527	NRSA02J-220X	MG RESISTOR	22Ω 1/10W J		R752	NRSA63J-473X	MG RESISTOR	47kΩ 1/16W J	
R528	NRSA02J-220X	MG RESISTOR	22Ω 1/10W J		R753	NRSA63J-473X	MG RESISTOR	47kΩ 1/16W J	
R529	NRSA63J-823X	MG RESISTOR	82kΩ 1/16W J		R754	NRSA63J-821X	MG RESISTOR	820Ω 1/16W J	
R530	NRSA63J-563X	MG RESISTOR	56kΩ 1/16W J		R755	NRSA63J-106X	MG RESISTOR	10MΩ 1/16W J	
R531	NRSA63J-103X	MG RESISTOR	10kΩ 1/16W J		R756	NRSA63J-473X	MG RESISTOR	47kΩ 1/16W J	
R532	NRSA63J-202X	MG RESISTOR	2kΩ 1/16W J		R757	NRSA63J-222X	MG RESISTOR	2.2kΩ 1/16W J	
R533	NRSA63J-102X	MG RESISTOR	1kΩ 1/16W J		R758	NRSA63J-473X	MG RESISTOR	47kΩ 1/16W J	
R534	NRSA63J-153X	MG RESISTOR	15kΩ 1/16W J		R759	NRSA63J-473X	MG RESISTOR	47kΩ 1/16W J	
R535	NRSA63J-101X	MG RESISTOR	100Ω 1/16W J		R761	NRSA63J-473X	MG RESISTOR	47kΩ 1/16W J	
R536	NRSA63J-821X	MG RESISTOR	820Ω 1/16W J		R763	NRSA63J-102X	MG RESISTOR	1kΩ 1/16W J	
R537	NRSA63J-0R0X	MG RESISTOR	0Ω 1/16W J		R766	NRSA63J-223X	MG RESISTOR	22kΩ 1/16W J	
R539	NRSA02J-151X	MG RESISTOR	150Ω 1/10W J		R767	NRSA63J-223X	MG RESISTOR	22kΩ 1/16W J	
R541	NRSA63J-562X	MG RESISTOR	5.6kΩ 1/16W J		R771	NRSA63J-271X	MG RESISTOR	270Ω 1/16W J	
R542	NRSA63J-473X	MG RESISTOR	47kΩ 1/16W J		R772	NRSA63J-271X	MG RESISTOR	270Ω 1/16W J	
R543	NRSA63J-474X	MG RESISTOR	470kΩ 1/16W J		R780	NRSA63J-333X	MG RESISTOR	33kΩ 1/16W J	
R544	NRSA63J-103X	MG RESISTOR	10kΩ 1/16W J		R781	NRSA63J-473X	MG RESISTOR	47kΩ 1/16W J	
R545	NRSA63J-103X	MG RESISTOR	10kΩ 1/16W J		R782	NRSA63J-473X	MG RESISTOR	47kΩ 1/16W J	
R546	NRSA63J-0R0X	MG RESISTOR	0Ω 1/16W J		R783	NRSA63J-272X	MG RESISTOR	2.7kΩ 1/16W J	

△ Symbol No.	Part No.	Part Name	Description	Local	△ Symbol No.	Part No.	Part Name	Description	Local
R784	NRSA63J-473X	MG RESISTOR	47kΩ 1/16W J		C602	NCS31HJ-681X	C CAPACITOR	680pF 50V J	
R793	NRS181J-0R0X	MG RESISTOR	0Ω 1/8W J		C603	NBE20JM-106X	TA E CAPACITOR	10uF 6.3V M	
R891	NRSA63J-102X	MG RESISTOR	1kΩ 1/16W J		C611	NCB31HK-123X	C CAPACITOR	0.012uF 50V K	
R892	NRSA63J-473X	MG RESISTOR	47kΩ 1/16W J		C612	NBE20JM-475X	TA E CAPACITOR	4.7uF 6.3V M	
R901	QRE142J-102X	C RESISTOR	1kΩ 1/4W J		R601	NRSA63J-821X	MG RESISTOR	820Ω 1/16W J	
R902	NRSA02J-912X	MG RESISTOR	9.1kΩ 1/10W J		R602	NRSA63J-821X	MG RESISTOR	820Ω 1/16W J	
R903	NRSA02J-472X	MG RESISTOR	4.7kΩ 1/10W J		R603	NRSA63J-122X	MG RESISTOR	1.2kΩ 1/16W J	
R971	NRS181J-222X	MG RESISTOR	2.2kΩ 1/8W J		R604	NRSA63J-182X	MG RESISTOR	1.8kΩ 1/16W J	
R972	NRS181J-222X	MG RESISTOR	2.2kΩ 1/8W J		R605	NRSA63J-821X	MG RESISTOR	820Ω 1/16W J	
R976	NRSA02J-273X	MG RESISTOR	27kΩ 1/10W J		R606	NRSA63J-821X	MG RESISTOR	820Ω 1/16W J	
R977	NRSA02J-123X	MG RESISTOR	12kΩ 1/10W J		R607	NRSA63J-122X	MG RESISTOR	1.2kΩ 1/16W J	
RA30	NRZ0065-222X	NET RESISTOR	2.2kΩ		R608	NRSA63J-182X	MG RESISTOR	1.8kΩ 1/16W J	
RA550	NRZ0065-103X	NET RESISTOR	10kΩ		R609	NRSA63J-272X	MG RESISTOR	2.7kΩ 1/16W J	
RA701	NRZ0065-102X	MG RESISTOR	1kΩ		R610	NRSA63J-392X	MG RESISTOR	3.9kΩ 1/16W J	
L1	QQL244J-4R7Z	COIL	4.7uH J		R611	NRSA63J-821X	MG RESISTOR	820Ω 1/16W J	
L401	NQL114K-470X	INDUCITOR	47uH K		R612	NRSA63J-821X	MG RESISTOR	820Ω 1/16W J	
L402	NQL114K-470X	INDUCITOR	47uH K		R613	NRSA63J-122X	MG RESISTOR	1.2kΩ 1/16W J	
L404	NQL114K-470X	INDUCITOR	47uH K		R614	NRSA63J-182X	MG RESISTOR	1.8kΩ 1/16W J	
L541	QQL244J-470Z	COIL	47uH J		R615	NRSA63J-272X	MG RESISTOR	2.7kΩ 1/16W J	
L543	QQL244J-470Z	COIL	47uH J		R627	NRSA02J-391X	MG RESISTOR	390Ω 1/10W J	
L544	QQL244J-470Z	COIL	47uH J		R628	NRSA02J-391X	MG RESISTOR	390Ω 1/10W J	
L701	NQL114M-4R7X	COIL	4.7uH M		R629	NRSA63J-821X	MG RESISTOR	820Ω 1/16W J	
L702	NQL114M-4R7X	COIL	4.7uH M		R630	NRSA63J-132X	MG RESISTOR	1.3kΩ 1/16W J	
L901	QQR0703-001	CHOKE COIL			R631	NRSA63J-132X	MG RESISTOR	1.3kΩ 1/16W J	
CN501	QGB2027M4-22S	CONNECTOR	B-B (1-22)		R632	NRSA63J-331X	MG RESISTOR	330Ω 1/16W J	
CN701	QGZ1601J1-15	CONNECTOR	(1-15)		R634	NRSA63J-821X	MG RESISTOR	820Ω 1/16W J	
CN901	QNZ0650-001	CAR CONNECTOR			R636	NRSA63J-331X	MG RESISTOR	330Ω 1/16W J	
J1	QNB0100-002	CAR ANT JACK			R638	NRSA63J-511X	MG RESISTOR	510Ω 1/16W J	
J321	QNN0519-001	PIN JACK			R640	NRSA63J-331X	MG RESISTOR	330Ω 1/16W J	
TU1	QAU0221-001	TUNER			R642	NRSA63J-132X	MG RESISTOR	1.3kΩ 1/16W J	
X31	QAX0616-001Z	CRYSTAL	10.250MHz		R643	NRSA63J-132X	MG RESISTOR	1.3kΩ 1/16W J	
X71	QAX0263-001Z	CRYSTAL	4.332MHz		R644	NRSA63J-331X	MG RESISTOR	330Ω 1/16W J	
X401	QAX0760-001Z	CRYSTAL			R651	NRSA63J-222X	MG RESISTOR	2.2kΩ 1/16W J	
X701	QAX0617-001Z	CRYSTAL	12.500MHz		R652	NRSA63J-222X	MG RESISTOR	2.2kΩ 1/16W J	
X702	QAX0401-001	CRYSTAL	32.768KHz		R653	NRSA63J-103X	MG RESISTOR	10kΩ 1/16W J	
					R654	NRSA63J-103X	MG RESISTOR	10kΩ 1/16W J	
					R655	NRSA63J-103X	MG RESISTOR	10kΩ 1/16W J	
					R656	NRSA63J-103X	MG RESISTOR	10kΩ 1/16W J	
					R657	NRSA63J-513X	MG RESISTOR	51kΩ 1/16W J	
					R658	NRSA63J-184X	MG RESISTOR	180kΩ 1/16W J	
					R661	NRSA63J-103X	MG RESISTOR	10kΩ 1/16W J	
					R662	NRSA63J-471X	MG RESISTOR	470Ω 1/16W J	
					R671	NRSA02J-471X	MG RESISTOR	470Ω 1/10W J	
					R672	NRSA02J-473X	MG RESISTOR	47kΩ 1/10W J	
					R673	NRSA02J-102X	MG RESISTOR	1kΩ 1/10W J	

Switch Board(KD-G317_EE2)

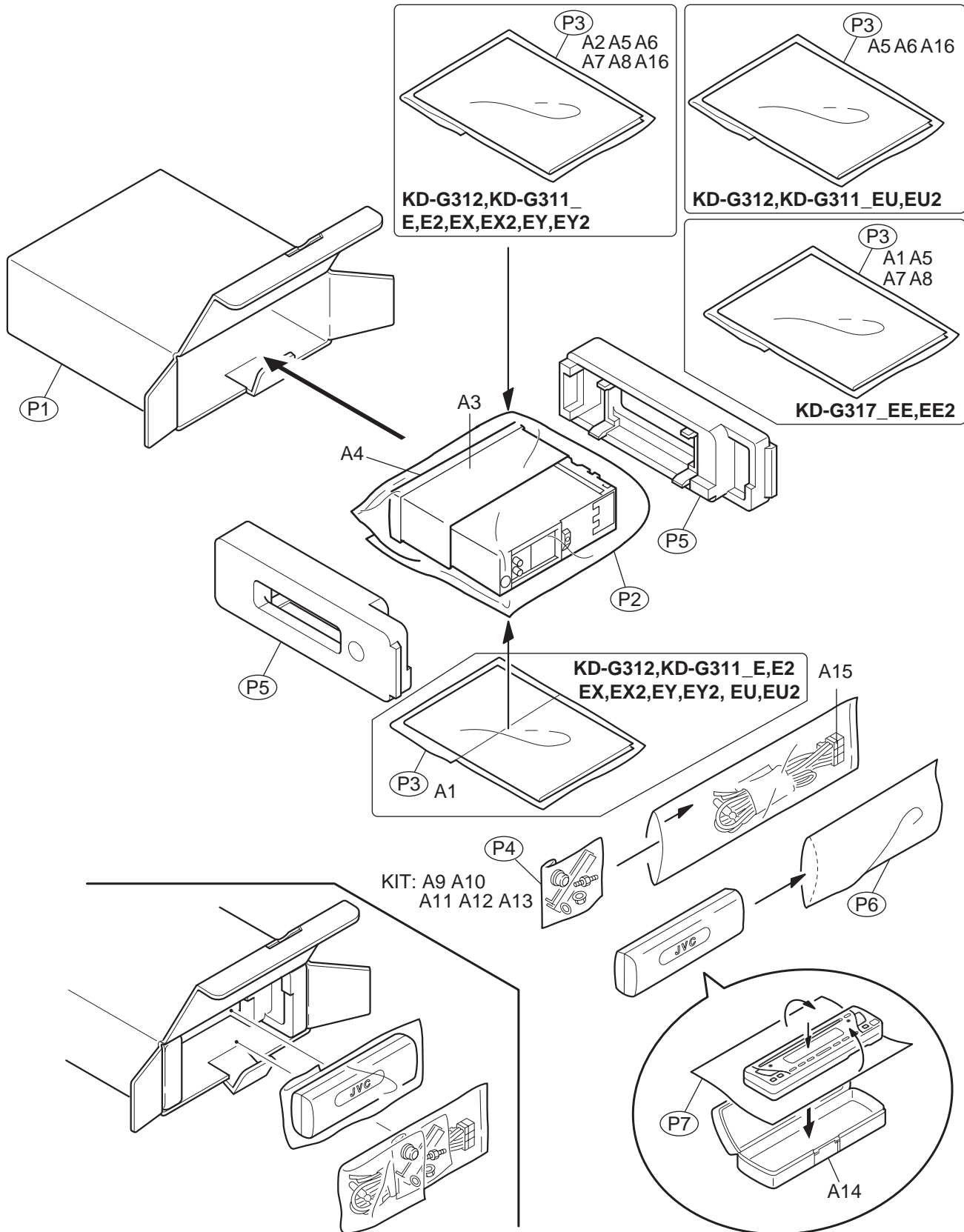
Block No. [0][8]

△ Symbol No.	Part No.	Part Name	Description	Local	△ Symbol No.	Part No.	Part Name	Description	Local
IC601	PT6523LQ-L	LCD DRIVER			CJ601	QGZ1601K1-15S	CONNECTOR	(1-15)	
IC602	RPM7338-V4	RM.RECEIVER			S601	NSW0124-001X	TACT SW		
Q671	2SB624/4/-X	TRANSISTOR			S602	NSW0124-001X	TACT SW		
Q672	UN2211-X	TRANSISTOR			S603	NSW0124-001X	TACT SW		
D601	SML-310VT/JK/-X	LED			S604	NSW0124-001X	TACT SW		
D602	SML-310VT/JK/-X	LED			S605	NSW0124-001X	TACT SW		
D603	SML-310VT/JK/-X	LED			S606	NSW0124-001X	TACT SW		
D604	SML-310VT/JK/-X	LED			S607	NSW0124-001X	TACT SW		
D605	SML-310VT/JK/-X	LED			S608	NSW0124-001X	TACT SW		
D606	SML-310VT/JK/-X	LED			S609	NSW0124-001X	TACT SW		
D607	SML-310VT/JK/-X	LED			S610	NSW0124-001X	TACT SW		
D608	SML-310LT/MN/-X	LED			S611	NSW0124-001X	TACT SW		
D609	SML-310LT/MN/-X	LED			S612	NSW0124-001X	TACT SW		
D610	SML-310VT/JK/-X	LED			S613	NSW0124-001X	TACT SW		
D611	SML-310VT/JK/-X	LED			S614	NSW0124-001X	TACT SW		
D612	SML-310VT/JK/-X	LED			S615	NSW0124-001X	TACT SW		
D613	SML-310VT/JK/-X	LED			S616	NSW0124-001X	TACT SW		
D614	SML-310VT/JK/-X	LED			S617	NSW0124-001X	TACT SW		
D615	SML-310VT/JK/-X	LED			S618	NSW0124-001X	TACT SW		
D616	SML-310VT/JK/-X	LED							
D617	SML-310VT/JK/-X	LED							
D618	SML-310LT/MN/-X	LED							
D631	NSPW310BS/BRS/	LED							
D632	NSPW310BS/BRS/	LED							
D641	MA8051/M/-X	Z DIODE							
D643	MA111-X	SI DIODE							
D644	MA8062/M/-X	Z DIODE							
C601	NCB31HK-223X	C CAPACITOR	0.022uF 50V K						

Packing materials and accessories parts list

Block No. M 3 M M

No additional / supplemental order of WARRANTY CARDS are available.



Packing and Accessories

Block No. [M][3][M][M]

△ Symbol No.	Part No.	Part Name	Description	Local
A 1	GET0260-001A	INST BOOK	GER FRE ITA	G311E,G311E2
A 1	GET0260-003A	INST BOOK	ENG FRE	G311EU,G311EU2,G311EX,G311EX2
A 1	GET0260-006A	INST BOOK	ENG GER RUS	G311EY,G311EY2
A 1	GET0260-001B	INST BOOK	GER FRE ITA	G312E,G312E2
A 1	GET0260-003B	INST BOOK	ENG FRE	G312EU,G312EU2,G312EX,G312EX2
A 1	GET0260-006B	INST BOOK	ENG GER RUS	G312EY,G312EY2
A 1	GET0261-001A	INST BOOK	ENG RUS	G317EE,G317EE2
A 2	VND3050-002	IDENTITY CARD		G311E,G311E2,G311EX,G311EX2,G311EY,G311EY2,G312E,G312E2,G312EX,G312EX2,G312EY,G312EY2
A 3	GE20137-003A	MOUNTING SLEEVE		
A 4	GE20135-011A	TRIM PLATE		G311E,G311E2,G311EU,G311EU2,G311EX,G311EX2,G311EY,G311EY2
A 4	GE20135-001A	TRIM PLATE		G312E,G312E2,G312EU,G312EU2,G312EX,G312EX2,G312EY,G312EY2,G317EE,G317EE2
A 5	GET0260-008A	INSTALL MANUAL		G311E,G311E2
A 5	GET0260-010A	INSTALL MANUAL		G311EU,G311EU2,G311EX,G311EX2
A 5	GET0260-013A	INSTALL MANUAL		G311EY,G311EY2
A 5	GET0260-008B	INSTALL MANUAL		G312E,G312E2
A 5	GET0260-010B	INSTALL MANUAL		G312EU,G312EU2,G312EX,G312EX2
A 5	GET0260-013B	INSTALL MANUAL		G312EY,G312EY2
A 5	GET0261-002A	INSTALL MANUAL		G317EE,G317EE2
A 6	GET0260-009A	INSTALL MANUAL		G311E,G311E2
A 6	GET0260-012A	INSTALL MANUAL		G311EU,G311EU2
A 6	GET0260-011A	INSTALL MANUAL		G311EX,G311EX2
A 6	GET0260-014A	INSTALL MANUAL		G311EY,G311EY2
A 6	GET0260-009B	INSTALL MANUAL		G312E,G312E2
A 6	GET0260-012B	INSTALL MANUAL		G312EU,G312EU2
A 6	GET0260-011B	INSTALL MANUAL		G312EX,G312EX2
A 6	GET0260-014B	INSTALL MANUAL		G312EY,G312EY2
A 7	-----	WARRANTY CARD	BT-54023-1	G311E,G311E2,G311EX,G311EX2,G311EY,G311EY2,G312E,G312E2,G312EX,G312EX2,G312EY,G312EY2,G317EE,G317EE2
A 8	VND3046-001	SERIAL TICKET		G311E,G311E2,G311EX,G311EX2,G311EY,G311EY2,G312E,G312E2,G312EX,G312EX2,G312EY,G312EY2,G317EE,G317EE2
A 9	VKZ4027-202	PLUG NUT		
A 10	VKH4871-003	MOUNT BOLT		
A 11	VKZ4328-003	LOCK NUT		
A 12	QYWWS53A008ZA	WASHER	0mm/5.3mm x	
A 13	GE40130-002A	HOOK	(x2)	
A 14	FSJB3002-00C-N	HARD CASE		G311E2,G311EU2,G311EX2,G311EY2,G312E,G312EU,G312EX,G312EY
A 14	FSJB3002-00C	HARD CASE		G311E,G311EU,G311EX,G311EY,G312E2,G312EU2,G312EX2,G312EY2,G317EE,G317EE2
A 15	QAM0175-002	POWER CORD		
A 16	GET0260-002A	INST BOOK	SPA GRE POR	G311E,G311E2
A 16	GET0260-005A	INST BOOK	SPA TUR PER	G311EU,G311EU2
A 16	GET0260-004A	INST BOOK	DUT SWE DAN FIN	G311EX,G311EX2
A 16	GET0260-007A	INST BOOK	POL CZE HUN	G311EY,G311EY2
A 16	GET0260-002B	INST BOOK	SPA GRE POR	G312E,G312E2
A 16	GET0260-005B	INST BOOK	SPA TUR PER	G312EU,G312EU2
A 16	GET0260-004B	INST BOOK	DUT SWE DAN FIN	G312EX,G312EX2
A 16	GET0260-007B	INST BOOK	POL CZE HUN	G312EY,G312EY2
KIT	SRW-385U	SCREW PARTS KIT	A9 A10 A11 A12 A13	
P 1	GE31441-002A	CARTON		G311E,G311E2,G311EU,G311EU2,G311EX,G311EX2,G311EY,G311EY2
P 1	GE31688-001A	CARTON		G312E,G312E2,G312EU,G312EU2,G312EX,G312EX2,G312EY,G312EY2
P 1	GE31444-002A	CARTON		G317EE,G317EE2
P 2	QPC03004315P	POLY BAG	30cm x 43cm	
P 3	FSPG4002-001	POLY BAG	(x2)	G311E,G311E2,G311EU,G311EU2,G311EX,G311EX2,G311EY,G311EY2,G312E,G312E2,G312EU,G312EU2,G312EX,G312EX2,G312EY,G312EY2
P 3	FSPG4002-001	POLY BAG		G317EE,G317EE2
P 4	QPA00801205	POLY BAG	8cm x 12cm	
P 5	GE10070-003A	EPS CUSHION		
P 6	QPA01003003	POLY BAG	10cm x 30cm	
P 7	FSYH4036-068	SHEET		